

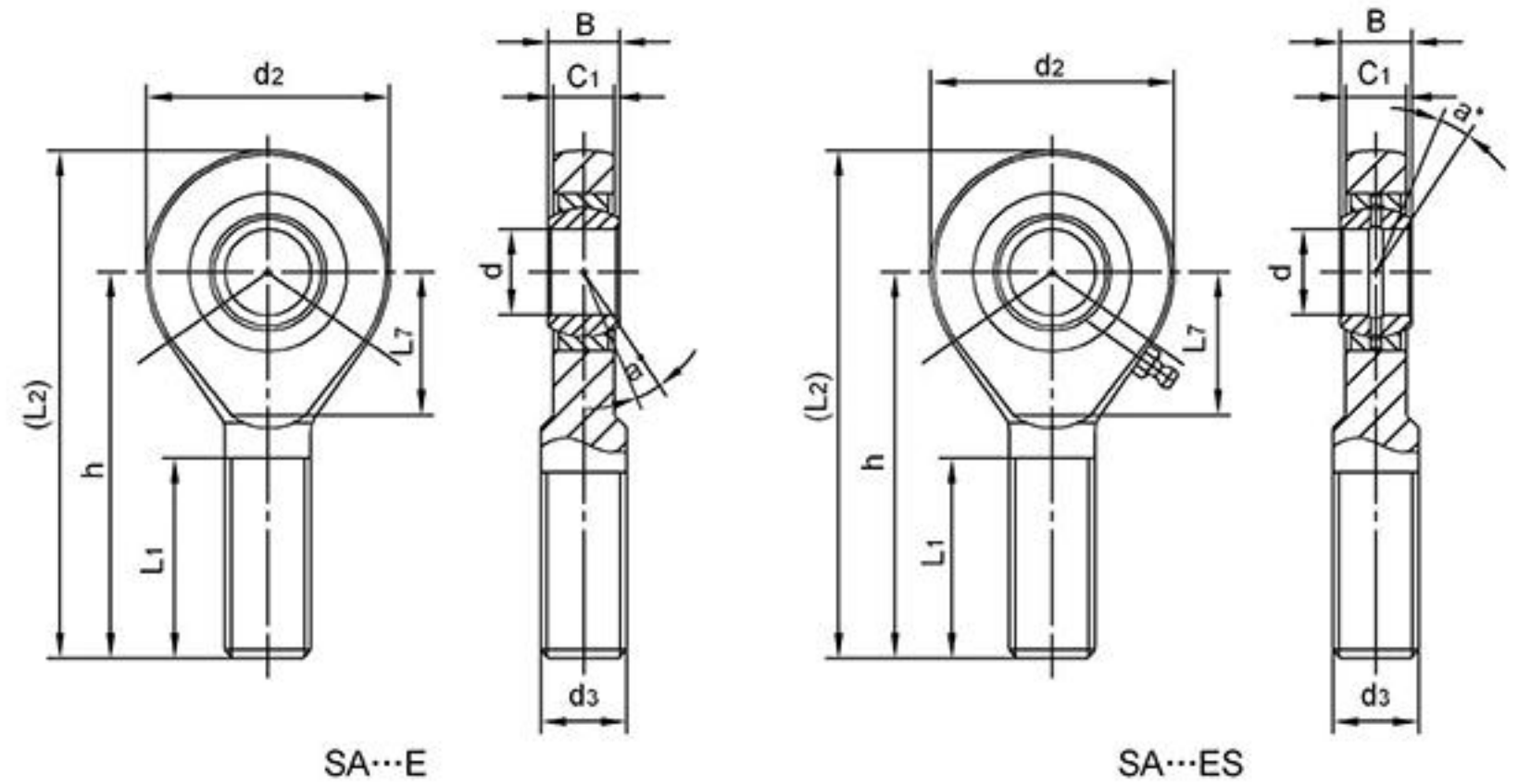
**SA..E & SA..ES**

Body: carbon steel Zinc plated, chromate treated

SA..E: Mounted with GE..E type of radial spherical plain bearings.

SA..ES: Mounted with GE..ES type of radial spherical plain bearings.

Sliding contact surfaces: Steel/Steel



Bearing No.	Dimensions(mm)									Ball dia	a° mis. angle	Load ratings (KN)		Weight ≈ kg
	d	B	C1	d2	d3-6g	h	L1	L2	L7			Dynamic	Static	
SA5E <sup>1)</sup>	5	6	4.5	21	M5	36	16	46.5	12	10	13	3.4	4.6	0.017
SA6E <sup>1)</sup>	6	6	4.5	21	M6	36	16	46.5	12	10	13	3.4	6.9	0.017
SA8E <sup>1)</sup>	8	8	6.5	24	M8	42	21	54	13	13	15	5.5	12.9	0.029
SA10E <sup>1)</sup>	10	9	7.5	29	M10	48	26	62.5	16	16	12	8.1	17.6	0.044
SA12E <sup>1)</sup>	12	10	8.5	34	M12	54	28	71	18	18	10	10	24.5	0.066
SA15ES	15	12	10.5	40	M14	63	34	83	22	22	8	16	36	0.121
SA17ES	17	14	11.5	46	M16	69	36	92	24	25	10	21	45	0.172
SA20ES	20	16	13.5	53	M20x1.5	78	43	104.5	27	29	9	30	60	0.283
SA25ES	25	20	18	64	M24x2	94	53	126	33	35.5	7	48	83	0.504
SA30ES	30	22	20	73	M30x2	110	65	146.5	37.5	40.7	6	62	110	0.835
SA35ES	35	25	22	82	M36x3	140	82	181	41	47	6	79	146	1.41
SA40ES	40	28	24	92	M39x3	150	86	196	47	53	7	99	180	1.86
SA45ES	45	32	28	102	M42x3	163	92	214	52	60	7	127	240	2.57
SA50ES	50	35	31	112	M45x3	185	104	241	60	66	6	156	290	3.58
SA60ES	60	44	39	135	M52x3	210	115	277.5	75.5	80	6	245	450	5.73
SA70ES	70	49	43	160	M56x4	235	125	315	95	92	6	313	610	7.94
SA80ES	80	55	48	180	M64x4	270	140	360	105.5	105	6	400	750	12.06

<sup>1)</sup>Can not be relubricated.

Can supply rod ends with different pitch or accuracy of thread.

For left-hand thread, suffix"L" is added to bearing numbers. eg.: SAL20ES M20 x 1.5L-6g: