

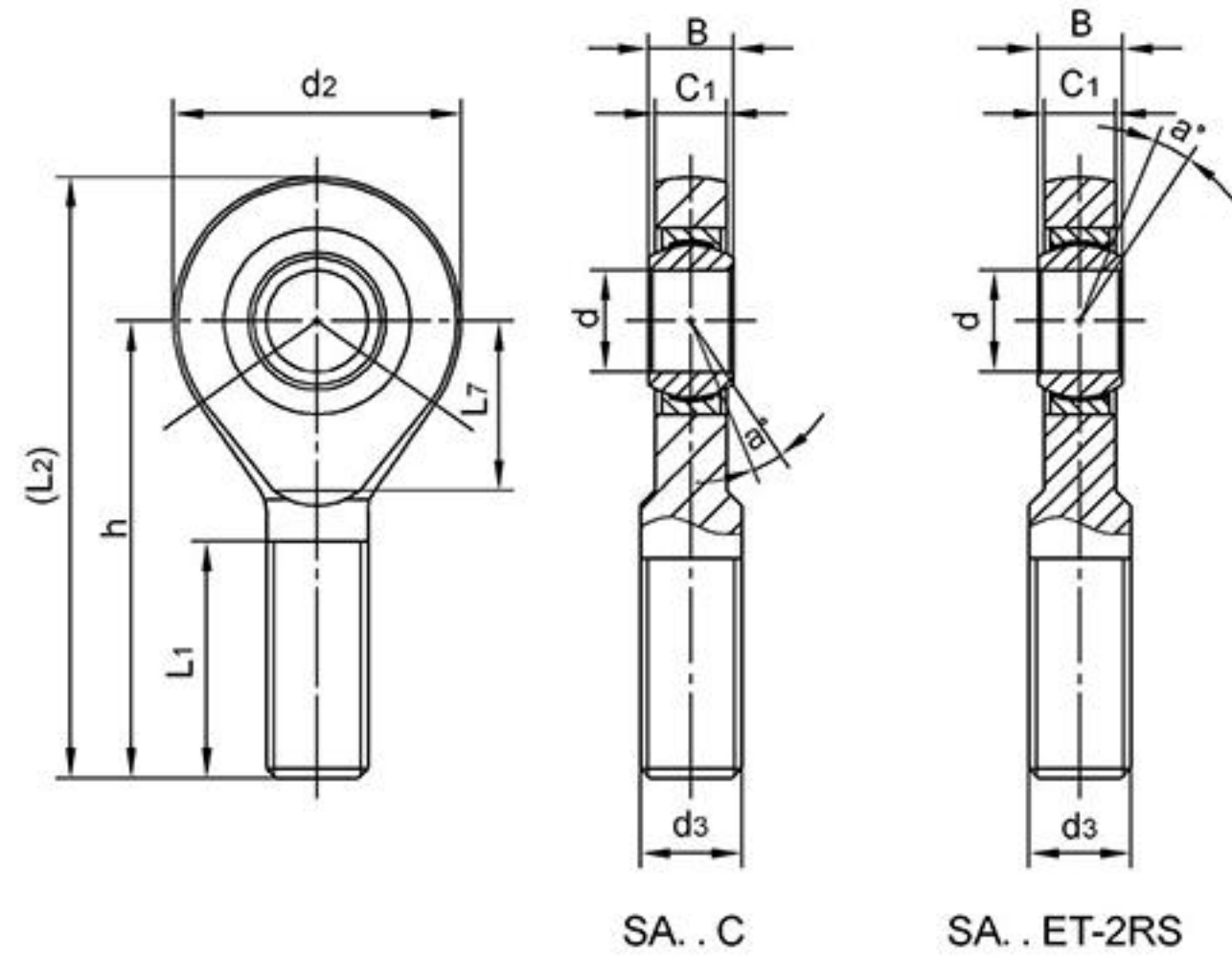
SA..C & SA..ET-2RS

Body: Carbon steel Zinc plated, chromate treated

SA..C: Mounted with GE..C type of radial spherical plain bearings.

SA..ET-2RS: Mounted with GE..ET-2RS type of radial spherical plain bearings.

Sliding contact surfaces: SA..C Steel/PTFE composite
SA..ET-2RS Steel/PTFE fabric



Bearing No.	Dimensions(mm)									Ball dia	a° mis. angle	Load ratings (KN)		Weight ≈ kg
	d	B	C ₁	d ₂	d ₃ -6g	h	L ₁	L ₂	L ₇			Dynamic	Static	
SA5C	5	6	4.5	21	M5	36	16	46.5	12	10	13	3.6	4.6	0.017
SA6C	6	6	4.5	21	M6	36	16	46.5	12	10	13	3.6	6.9	0.017
SA8C	8	8	6.5	24	M8	42	21	54	13	13	15	5.8	12.9	0.029
SA10C	10	9	7.5	29	M10	48	26	62.5	16	16	12	8.6	17.6	0.044
SA12C	12	10	8.5	34	M12	54	28	71	18	18	10	11	24.5	0.066
SA15C SA15ET-2RS	15	12	10.5	40	M14	63	34	83	22	22	8	18	36	0.121
SA17C SA17ET-2RS	17	14	11.5	46	M16	69	36	92	24	25	10	22	45	0.172
SA20C SA20ET-2RS	20	16	13.5	53	M20x1.5	78	43	104.5	27	29	9	31	60	0.283
SA25C SA25ET-2RS	25	20	18	64	M24x2	94	53	126	33	35.5	7	51	83	0.504
SA30C SA30ET-2RS	30	22	20	73	M30x2	110	65	146.5	37.5	40.7	6	65	110	0.835
SA35ET-2RS	35	25	22	82	M36x3	140	82	181	41	47	6	112	146	1.41
SA40ET-2RS	40	28	24	92	M39x3	150	86	196	47	53	7	140	180	1.86
SA45ET-2RS	45	32	28	102	M42x3	163	92	214	52	60	7	180	240	2.57
SA50ET-2RS	50	35	31	112	M45x3	185	104	241	60	66	6	220	290	3.58
SA60ET-2RS	60	44	39	135	M52x3	210	115	277.5	75.5	80	6	345	450	5.73
SA70ET-2RS	70	49	43	160	M56x4	235	125	315	95	92	6	440	610	7.94
SA80ET-2RS	80	55	48	180	M64x4	270	140	360	105.5	105	6	567	750	12.06

Can supply rod ends with different pitch or accuracy of thread.

For left-hand thread, suffix "L" is added to bearing numbers. eg.: SAL20ET-2RS M20 x 1.5L-6g: