

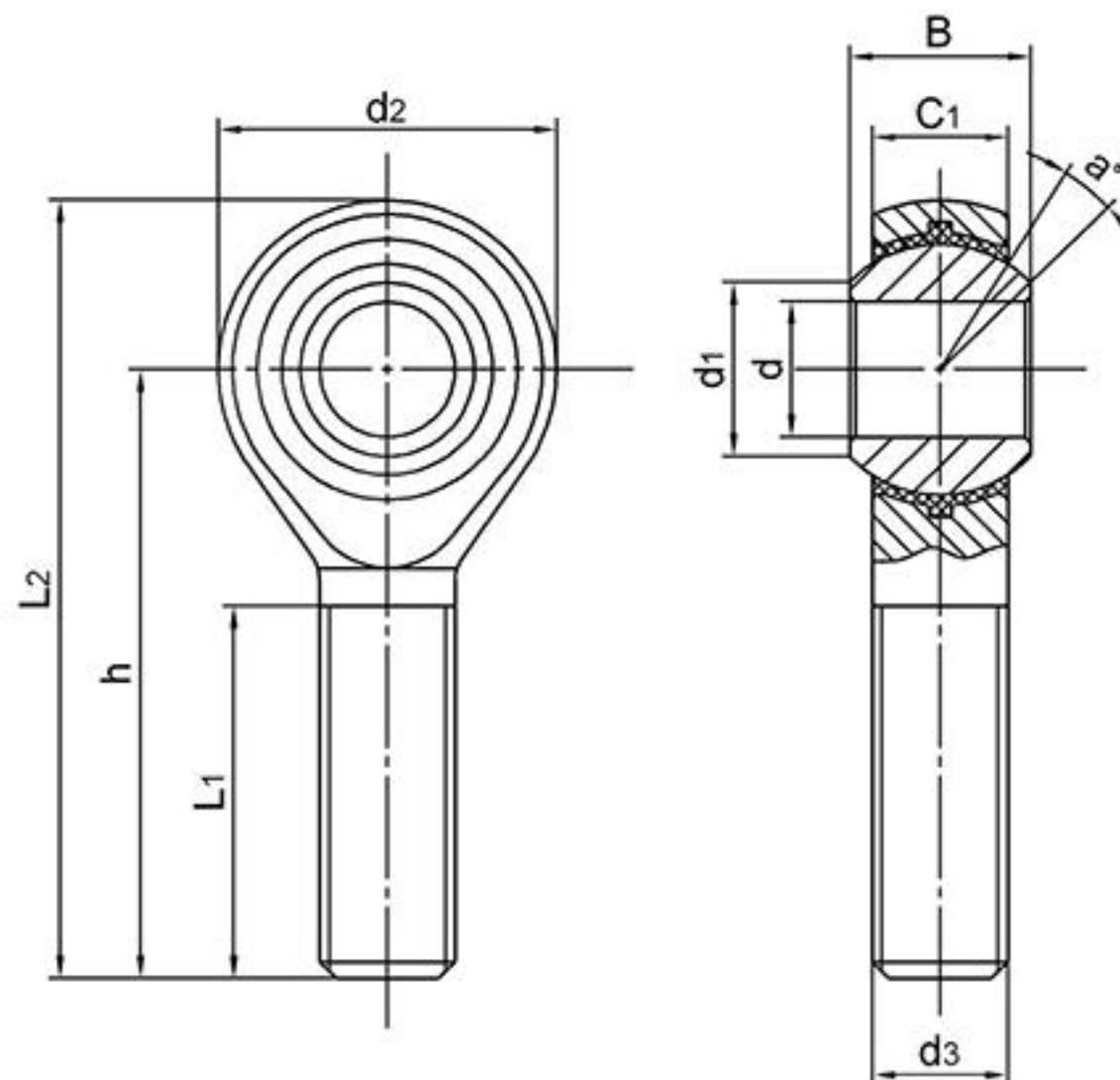
NPOS..

Ball: Gcr15 Steel, heat treated HRC58~64;
Precision ground polished

Body: Carbon steel, zinc plated, chromate treated

Race: Nylon polymer

Sliding contact surfaces: Steel/Nylon



Bearing No.	Dimensions(mm)									Ball dia	a° mis. angle	Load ratings (KN)		weight ≈ Kg
	d _{H7}	B	C ₁	d ₁	d ₂	d _{3-6g}	h	L ₁	L ₂			Dynamic	Static	
NPOS5	5	8	6	7.7	16	M5	33	20	41	11.11	13	2.5	4.6	0.012
NPOS6	6	9	6.75	8.9	18	M6	36	22	45	12.7	13	3.2	6.9	0.019
NPOS8	8	12	9	10.3	22	M8	42	25	53	15.87	14	5.4	12.6	0.032
NPOS10	10	14	10.5	12.9	26	M10	48	29	61	19.05	13	7.5	16.6	0.054
NPOS12	12	16	12	15.4	30	M12	54	33	69	22.22	13	10	22	0.085
NPOS14	14	19	13.5	16.8	34	M14	60	36	77	25.4	16	13	27.8	0.126
NPOS16	16	21	15	19.3	38	M16	66	40	85	28.58	15	16	34.5	0.185
NPOS18	18	23	16.5	21.8	42	M18x1.5	72	44	93	31.75	15	19.5	40.8	0.260
NPOS20	20	25	18	24.3	46	M20x1.5	78	47	101	34.92	14	23	46.5	0.340
NPOS22	22	28	20	25.8	50	M22x1.5	84	51	109	38.1	15	29	52.6	0.435
NPOS25	25	31	22	29.5	60	M24x2	94	57	124	42.86	15	40.5	74.1	0.650
NPOS28	28	35	25	32.29	66	M27x2	103	62	136	47.63	15	46.1	88.7	0.875
NPOS30	30	37	25	34.8	70	M30x2	110	66	145	50.8	17	54.3	94	1.070

Can supply rod ends with different pitch or accuracy of thread.

For left-hand thread, suffix "L" is added to bearing numbers. eg.: NPOS20L M20 x 1.5L-6H: