

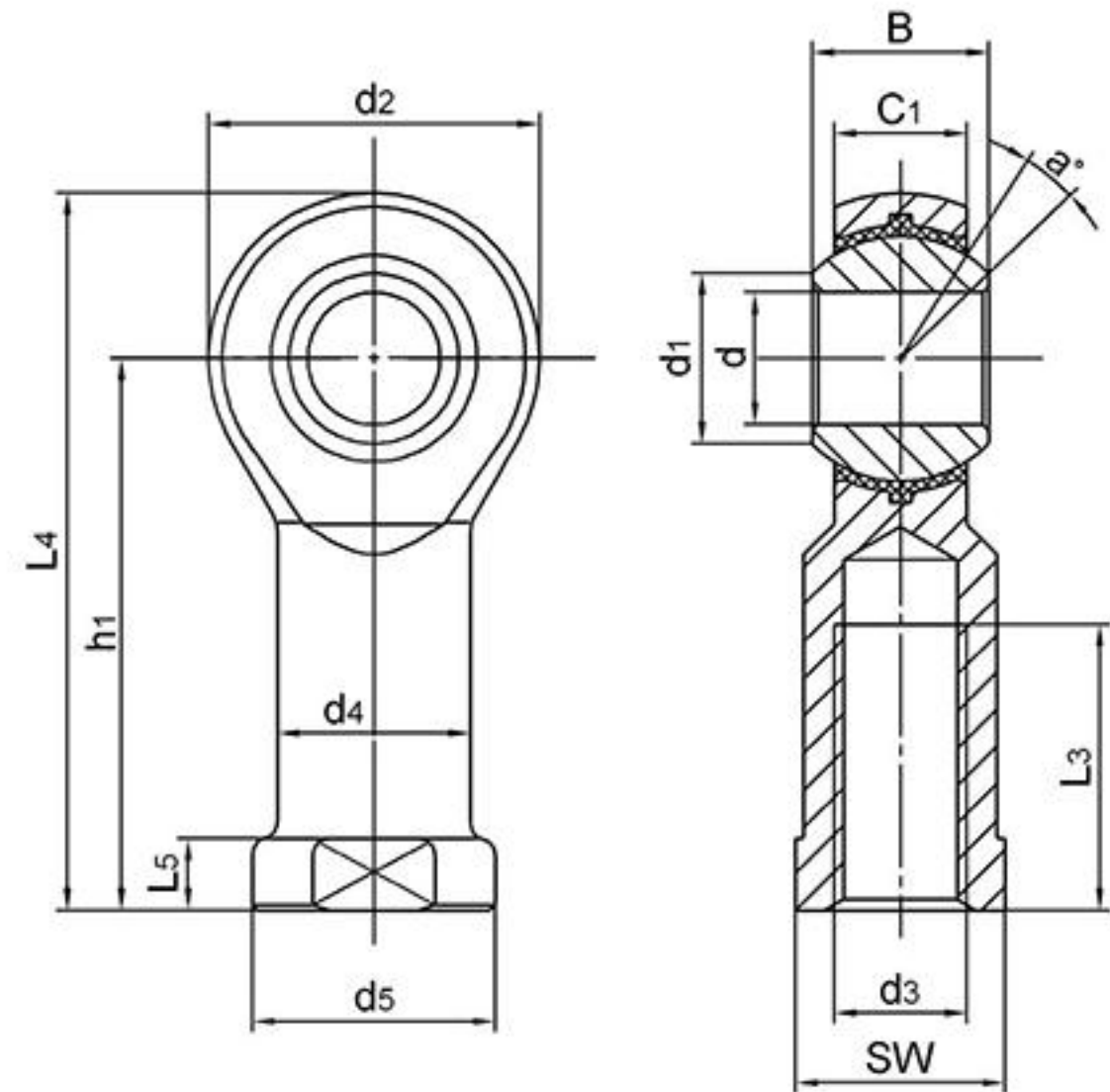
NPHS..

Ball: Gcr15 steel, heat treated, HRC 58 ~64;
Precision ground, polished.

Body: Carbon steel, zinc plated, chromate treated

Race: Nylon polymer

Sliding contact surfaces: Steel/Nylon



Bearing No.	Dimensions(mm)													Ball dia	a° mis. angle	Load ratings (KN)		weight ≈ Kg
	d _{H7}	B	C ₁	d ₁	d ₂	d _{3-6H}	h ₁	L ₃	L ₄	L ₅	d ₄	d ₅	SW			Dynamic	Static	
NPHS5	5	8	6	7.7	16	M5	27	13	35	4	9	11	9	11.11	13	2.5	6.6	0.016
NPHS6	6	9	6.75	8.9	18	M6	30	13	39	5	10	13	11	12.7	13	3.2	8.1	0.025
NPHS8	8	12	9	10.3	22	M8	36	17	47	5	12.5	16	14	15.87	14	5.4	12.6	0.043
NPHS10	10	14	10.5	12.9	26	M10	43	21	56	6.5	15	19	17	19.05	13	7.5	16.6	0.072
NPHS12	12	16	12	15.4	30	M12	50	24	65	6.5	17.5	22	19	22.22	13	10	22	0.107
NPHS14	14	19	13.5	16.8	34	M14	57	27	74	8	20	25	22	25.4	16	13	27.8	0.160
NPHS16	16	21	15	19.3	38	M16	64	33	83	8	22	27	22	28.58	15	16	34.5	0.210
NPHS18	18	23	16.5	21.8	42	M18x1.5	71	36	92	10	25	31	27	31.75	15	19.5	40.8	0.295
NPHS20	20	25	18	24.3	46	M20x1.5	77	40	100	10	27.5	34	30	34.92	14	23	46.5	0.380
NPHS22	22	28	20	25.8	50	M22x1.5	84	43	109	12	30	37	32	38.1	15	29	52.6	0.490
NPHS25	25	31	22	29.5	60	M24x2	94	48	124	12	33.5	42	36	42.86	15	40.5	74.1	0.750
NPHS28	28	35	24	32.29	66	M27x2	103	53	136	12	37	46	41	47.63	15	46.1	88.7	0.950
NPHS30	30	37	25	34.8	70	M30x2	110	56	145	15	40	50	41	50.8	17	54.3	94	1.130

Can supply rod ends with different pitch or accuracy of thread.

For left-hand thread, suffix "L" is added to bearing numbers. eg.: NPHS20L M20 x 1.5L-6H: