

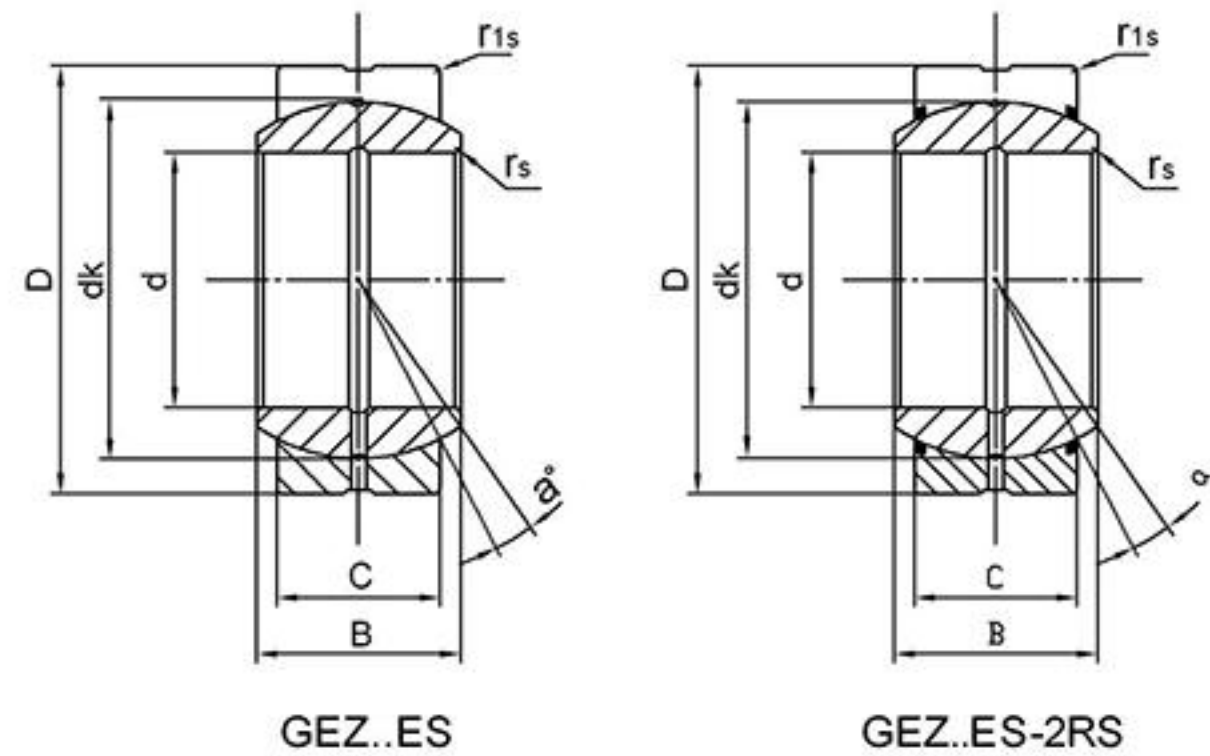
## GEZ..ES GEZ..ES-2RS

Inner Race: Gcr15 Steel, hardened HRC 58-64,  
surface phosphated.

Outer Race: Gcr15 Steel, hardened HRC 54-60,  
surface phosphated.

Bore size  $d \geq 140\text{mm}$ : Inner and outer race are all Gcr15 SiMn.

Sliding contact surfaces: Steel/Steel



Bearing No.		Dimensions(mm/inch)							Load ratings KN		a° ≈	weight ≈ kg
		d	D	B	C	dk	rs	r1s	Dynamic	Static		
GEZ12ES		12.700	22.225	11.100	9.525	18	0.15	0.6	13	41	6	0.022
		0.5	0.875	0.437	0.375	0.707	0.006	0.024				
GEZ15ES		15.875	26.988	13.894	11.913	23	0.15	0.6	22	65	6	0.036
		0.625	1.0625	0.547	0.469	0.904	0.006	0.024				
GEZ19ES		19.050	31.750	16.662	14.275	27.5	0.3	0.6	31	95	6	0.053
		0.75	1.25	0.656	0.562	1.081	0.012	0.024				
GEZ22ES		22.225	36.513	19.431	16.662	32	0.3	0.6	42	127	6	0.085
		0.875	1.4375	0.756	0.656	1.258	0.012	0.024				
GEZ25ES	GEZ25ES-2RS	25.400	41.275	22.225	19.050	36.5	0.3	0.6	56	166	6	0.121
		1	1.625	0.875	0.75	1.437	0.012	0.024				
GEZ31ES	GEZ31ES-2RS	31.750	50.800	27.762	23.800	45.5	0.6	0.6	86	260	6	0.23
		1.25	2	1.093	0.937	1.788	0.024	0.024				
GEZ34ES	GEZ34ES-2RS	34.925	55.563	30.150	26.187	49	0.6	1	102	310	6	0.35
		1.375	2.1875	1.187	1.031	1.926	0.024	0.04				
GEZ38ES	GEZ38ES-2RS	38.100	61.913	33.325	28.575	54.7	0.6	1	125	375	6	0.42
		1.5	2.4375	1.312	1.125	2.154	0.024	0.04				
GEZ44ES	GEZ44ES-2RS	44.450	71.438	38.887	33.325	63.9	0.6	1	170	510	6	0.64
		1.75	2.8125	1.531	1.312	2.511	0.024	0.04				
GEZ50ES	GEZ50ES-2RS	50.800	80.963	44.450	38.100	73	0.6	1	224	670	6	0.93
		2	3.1875	1.75	1.5	2.869	0.024	0.04				
GEZ57ES	GEZ57ES-2RS	57.150	90.488	50.013	42.850	82	0.6	1	280	850	6	1.3
		2.25	3.5625	1.969	1.687	3.223	0.024	0.04				
GEZ63ES	GEZ63ES-2RS	63.500	100.013	55.550	47.625	92	1	1	355	1060	6	1.85
		2.5	3.9375	2.187	1.875	3.616	0.04	0.04				
GEZ69ES	GEZ69ES-2RS	69.850	111.125	61.112	52.375	100	1	1	415	1250	6	2.4
		2.75	4.375	2.406	2.062	3.937	0.04	0.04				
GEZ76ES	GEZ76ES-2RS	76.200	120.650	66.675	57.150	109.5	1	1	500	1500	6	3.1
		3	4.75	2.625	2.25	4.303	0.04	0.04				
GEZ82ES	GEZ82ES-2RS	82.550	130.175	72.238	61.900	119	1	1	585	1760	6	3.8
		3.25	5.125	2.844	2.437	4.685	0.04	0.04				
GEZ88ES	GEZ88ES-2RS	88.900	139.700	77.775	66.675	128	1	1	680	2040	6	4.8
		3.5	5.5	3.062	2.625	5.04	0.04	0.04				

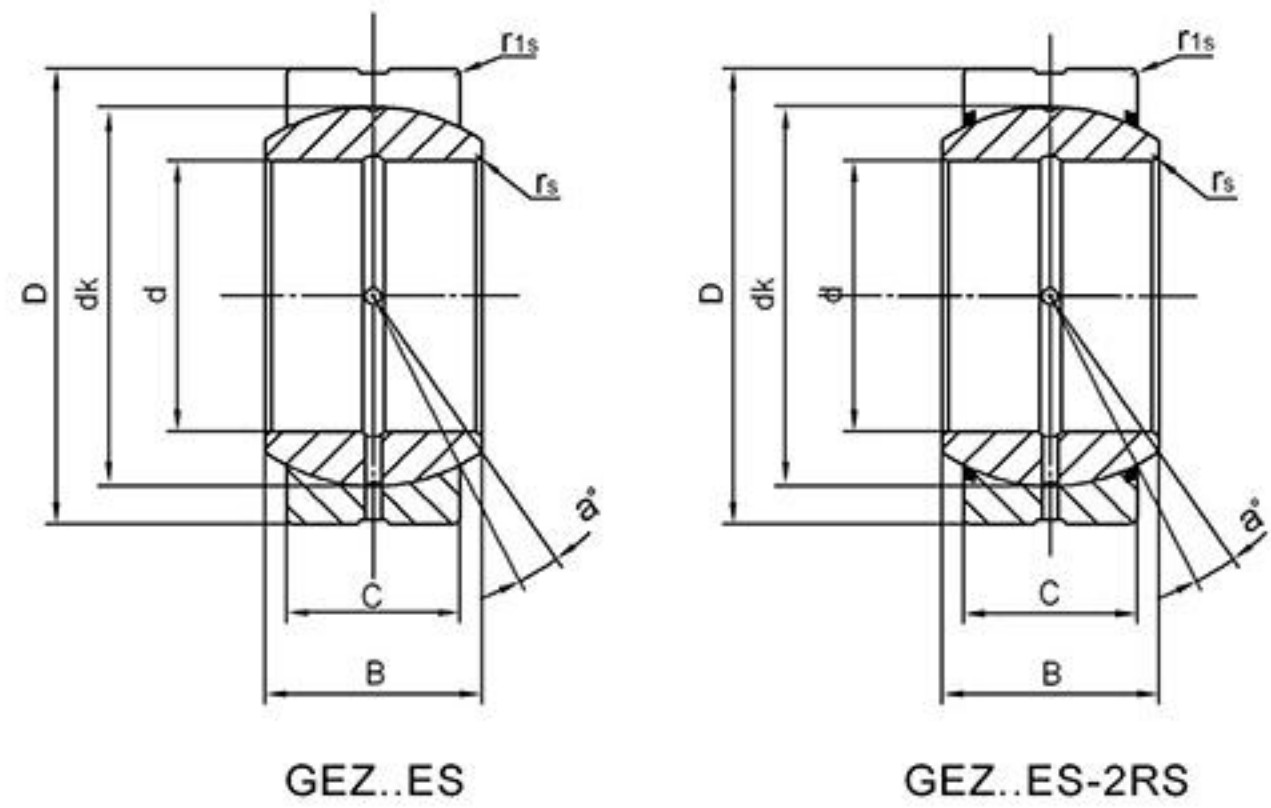
**GEZ..ES  
GEZ..ES-2RS**

Inner Race: Gcr15 Steel, hardened HRC 58-64, surface phosphated.

Outer Race: Gcr15 Steel, hardened HRC 54-60, surface phosphated.

Bore size  $d \geq 140\text{mm}$ : Inner and outer race are all Gcr15 SiMn.

Sliding contact surfaces: Steel/Steel.



Bearing No.		Dimensions(mm/inch)							Load ratings KN		$a^\circ$ ≈	weight ≈ kg
		d	D	B	C	dk	$r_{s_{min}}$	$r_{1s_{min}}$	Dynamic	Static		
GEZ88ES	GEZ88ES-2RS	88.9	139.7	77.775	66.675	128	1.0	1.0	680	2040	6	4.8
		3.5	5.5	3.062	2.625	5.04	0.04	0.04				
GEZ95ES	GEZ95ES-2RS	95.25	149.225	83.337	71.425	137	1.0	1.0	780	2360	6	5.8
		3.75	5.875	3.281	2.812	5.393	0.04	0.04				
GEZ101ES	GEZ101ES-2RS	101.600	158.750	88.900	76.200	146	1.0	1.0	900	2650	6	7
		4	6.25	3.5	3	5.748	0.04	0.04				
GEZ107ES	GEZ107ES-2RS	107.950	168.275	94.463	80.950	155	1.0	1.0	1000	3000	6	8.41
		4.25	6.625	3.719	3.187	6.102	0.04	0.04				
GEZ114ES	GEZ114ES-2RS	114.300	177.800	100.013	85.725	164.5	1.0	1.0	1120	3400	6	9.8
		4.5	7	3.937	3.375	6.476	0.04	0.04				
GEZ120ES	GEZ120ES-2RS	120.650	187.325	105.562	90.475	173.5	1.0	1.0	1250	3750	6	11.5
		4.75	7.375	4.156	3.562	6.83	0.04	0.04				
GEZ127ES	GEZ127ES-2RS	127.000	196.850	111.125	95.25	183	1.0	1.0	1400	4150	6	13.5
		5	7.75	4.375	3.75	7.204	0.04	0.04				
GEZ152ES	GEZ152ES-2RS	152.400	222.250	120.65	104.775	207	1.0	1.0	1730	5200	5	17.5
		6	8.75	4.75	4.125	8.15	0.04	0.04				