

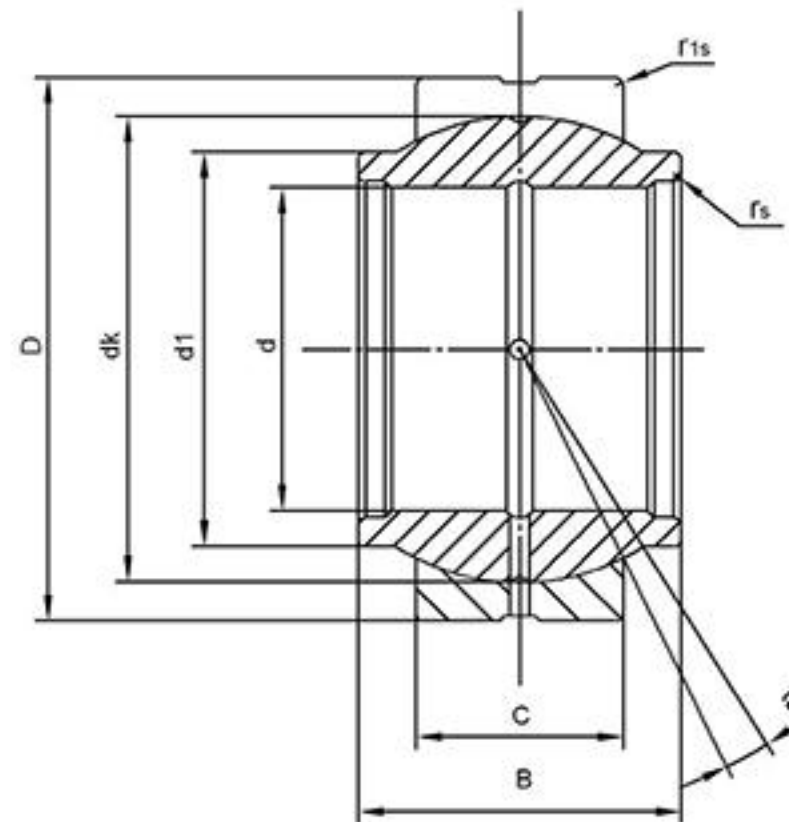
GEEW..ES

Inner Race: Gcr15 Steel,hardened HRC 58-64,
surface phosphated.

Outer Race: Gcr15 Steel,hardened HRC 54-60,
surface phosphated.

Bore size $d \geq 140\text{mm}$: Inner and outer race are
all Gcr15 SiMn.

Sliding contact surfaces: Steel/Steel.



Bearing No.	Dimensions(mm)								Load Ratings KN		a° ≈	Weight ≈ kg
	d	D	B	C	d1	dk	rs	r1s	Dynamic	Static		
GEEW12ES*	12	22	12	7	15.5	18	0.3	0.3	10	53	4	0.022
GEEW15ES	15	26	15	9	18.5	22	0.3	0.3	16	84	5	0.031
GEEW16ES	16	28	16	9	20	23	0.3	0.3	17	85	4	0.035
GEEW17ES	17	30	17	10	21	25	0.3	0.3	21	106	7	0.044
GEEW20ES	20	35	20	12	25	29	0.3	0.3	30	146	4	0.071
GEEW25ES	25	42	25	16	30.5	35.5	0.6	0.6	48	240	4	0.131
GEEW30ES	30	47	30	18	34	40.7	0.6	0.6	62	310	4	0.168
GEEW32ES	32	52	32	18	37	43	0.6	1	65	328	4	0.182
GEEW35ES	35	55	35	20	40	47	0.6	1	79	399	4	0.253
GEEW40ES	40	62	40	22	46	53	0.6	1	99	495	4	0.338
GEEW45ES	45	68	45	25	52	60	0.6	1	127	637	4	0.481
GEEW50ES	50	75	50	28	57	66	0.6	1	156	780	4	0.558
GEEW60ES	60	90	60	36	68	80	1	1	245	1220	4	1.15
GEEW63ES	63	95	63	36	71.5	83	1	1	253	1260	4	1.25
GEEW70ES	70	105	70	40	78	92	1	1	313	1560	4	1.71
GEEW80ES	80	120	80	45	91	105	1	1	400	2000	4	2.39
GEEW90ES	90	130	90	50	99	115	1	1	488	2440	4	3.21
GEEW100ES	100	150	100	55	113	130	1	1	607	3030	4	4.79
GEEW110ES	110	160	110	55	124	140	1	1	654	3270	4	5.78
GEEW125ES	125	180	125	70	138	160	1	1	950	4750	4	8.49
GEEW160ES	160	230	160	80	177	200	1	1	1360	6800	4	16.5
GEEW200ES	200	290	200	100	221	250	1.1	1.1	2120	10600	4	32.1
GEEW250ES	250	400	250	120	317	350	1.1	1.1	3750	17800	4	99.1
GEEW320ES	320	520	320	160	405	450	1.1	1.1	6200	30500	4	231

*A lubrication groove and holes in the outer ring only.
Can supply spherical plain bearing with two seals for bore diameter $d \geq \varnothing 15\text{mm}$.