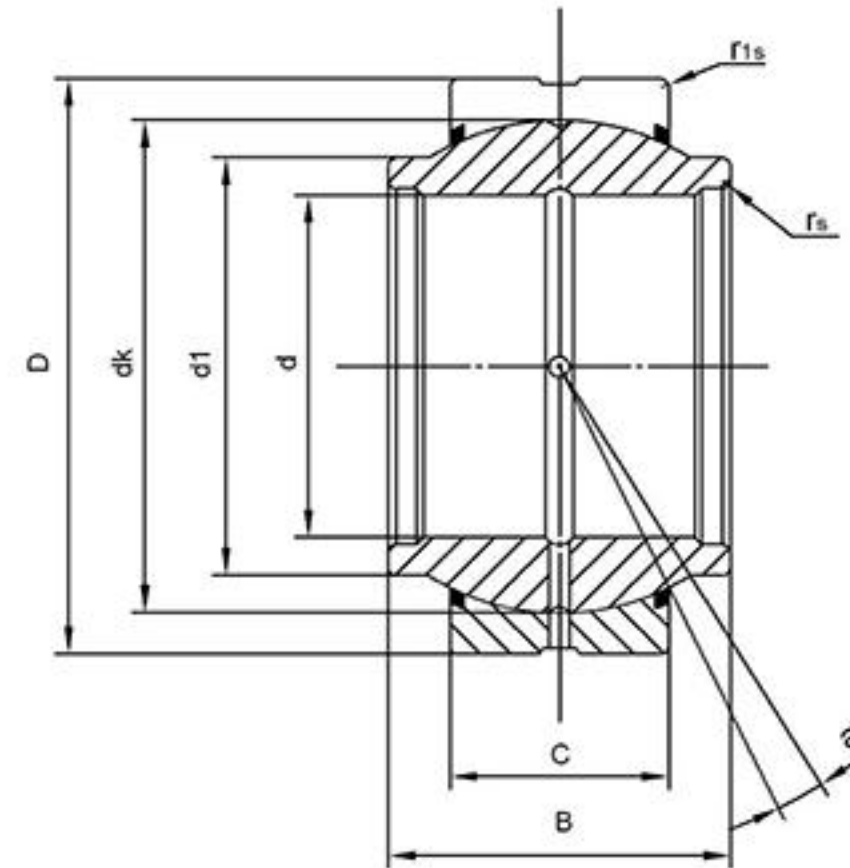


GEEM..ES-2RS

Inner Race: Gcr15 Steel, hardened HRC 58-64, surface phosphated.

Outer Race: Gcr15 Steel, hardened HRC 54-60, surface phosphated.

Sliding contact surfaces: Steel/Steel.



Bearing No.	Dimensions(mm)								Load ratings KN		a° ≈	Weight ≈ kg
	d	D	B	C	d1	dk	rs	r1s	Dynamic	Static		
GEEM20ES-2RS	20	35	24	12	24	29	0.3	0.3	30	146	6	0.073
GEEM25ES-2RS	25	42	29	16	29	35.5	0.3	0.6	48	240	4	0.13
GEEM30ES-2RS	30	47	30	18	34	40.7	0.3	0.6	62	310	4	0.17
GEEM35ES-2RS	35	55	35	20	40	47	0.6	1.0	79	399	4	0.25
GEEM40ES-2RS	40	62	38	22	45	53	0.6	1.0	99	495	4	0.35
GEEM45ES-2RS	45	68	40	25	52	60	0.6	1.0	127	637	4	0.49
GEEM50ES-2RS	50	75	43	28	57	66	0.6	1.0	156	780	4	0.60
GEEM60ES-2RS	60	90	54	36	68	80	0.6	1.0	245	1220	3	1.15
GEEM70ES-2RS	70	105	65	40	78	92	0.6	1.0	313	1560	4	1.65
GEEM80ES-2RS	80	120	74	45	90	105	0.6	1.0	400	2000	4	2.50