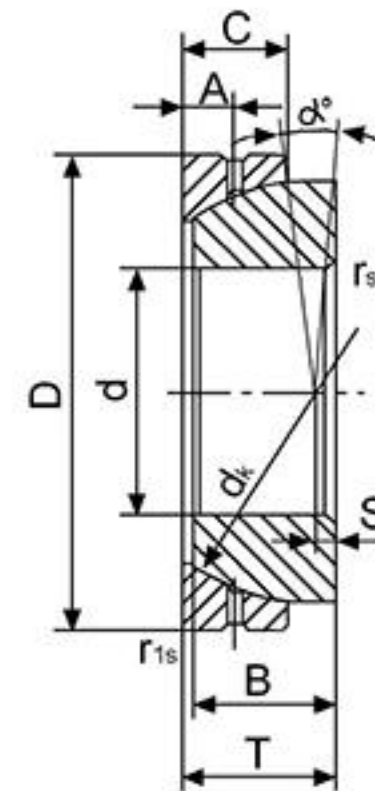


GACZ..S

Outer Race: Gcr15 Steel, hardened HRC 58-64,
precision ground, surface phosphated.

Inner Race: Gcr15 Steel, hardened HRC 58-64,
precision ground, surface phosphated.

Slidingcontact surfaces : Steel/ Steel



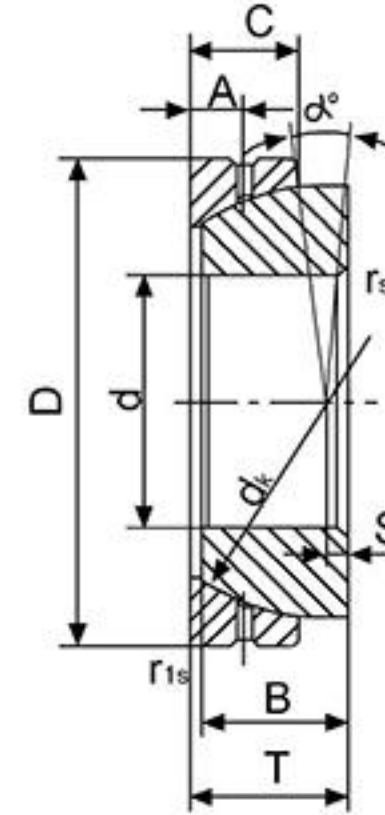
Bearing No.	Dimensions(mm/inch)										Load ratings KN		weight ≈ kg
	d	D	B	C	T	dk	S	A	r _s ,r _{1s} min	α°	Dynamic	Static	
GACZ12S	12.7	22.225	6.86	4.83	7.62	18.26	1.3	2.39	0.51	7	6	18	0.013
	0.5	0.875	0.27	0.19	0.3	0.719	0.051	0.094	0.02				
GACZ15S	15.875	26.988	8.64	6.35	9.40	22.83	1.48	2.77	0.76	6	10	31	0.025
	0.625	1.0625	0.34	0.25	0.37	0.899	0.058	0.109	0.03				
GACZ19S	19.05	31.75	10.41	7.87	11.18	27.43	1.79	3.18	1	6	16	47	0.038
	0.75	1.25	0.41	0.31	0.44	1.08	0.07	0.125	0.04				
GACZ22S	22.225	36.512	12.19	9.65	13.21	31.95	2.02	4.37	2	5.5	22	66	0.049
	0.875	1.4375	0.48	0.38	0.52	1.258	0.08	0.172	0.08				
GACZ25S	25.4	41.275	13.97	11.18	15.24	36.50	2.54	5.16	2	6	29	87	0.085
	1	1.625	0.55	0.44	0.6	1.437	0.1	0.203	0.08				
GACZ31S	31.75	50.8	17.78	13.97	18.80	45.59	3.36	5.94	2	6	47	142	0.159
	1.25	2	0.7	0.55	0.74	1.795	0.132	0.234	0.08				
GACZ34S	34.925	55.562	19.56	15.24	21.34	49.20	3.69	7.14	2.54	4	53	159	0.213
	1.375	2.1875	0.77	0.6	0.84	1.937	0.145	0.281	0.1				
GACZ38S	38.1	61.912	21.34	16.76	23.11	54.74	3.93	7.92	2.54	5.5	66	197	0.301
	1.5	2.4375	0.84	0.66	0.91	2.155	0.155	0.312	0.1				
GACZ44S	44.45	71.438	24.89	20.07	27.18	63.88	4.72	8.33	2.54	6	91	273	0.458
	1.75	2.8125	0.98	0.79	1.07	2.515	0.186	0.328	0.1				
GACZ50S	50.8	80.962	28.70	23.37	31.24	73.02	5.51	9.52	3.56	5.5	122	365	0.671
	2	3.1875	1.13	0.92	1.23	2.875	0.217	0.375	0.14				
GACZ57S	57.15	90.488	32.26	26.67	35.31	82.17	6.18	11.51	3.56	5.5	155	466	0.948
	2.25	3.5625	1.27	1.05	1.39	3.235	0.243	0.453	0.14				
GACZ63S	63.5	100.013	36.07	29.97	39.12	91.19	6.79	12.7	3.56	5	196	589	1.13
	2.5	3.9375	1.42	1.18	1.54	3.59	0.267	0.5	0.14				
GACZ69S	69.85	111.125	39.62	32.38	43.18	100.33	7.46	13.08	4.6	5	231	694	1.75
	2.75	4.375	1.56	1.275	1.7	3.95	0.294	0.515	0.18				
GACZ76S	76.2	120.65	43.43	35.69	47.24	109.52	8.17	14.68	4.6	5	279	838	2.28
	3	4.75	1.71	1.405	1.86	4.312	0.322	0.578	0.18				
GACZ82S	82.55	130.175	47.24	39.24	51.56	118.74	9.04	16.66	4.6	5	332	995	2.89
	3.25	5.125	1.86	1.545	2.03	4.675	0.356	0.656	0.18				

GACZ..S

Outer Race: Gcr15 Steel, hardened HRC 58-64, precision ground, surface phosphated.

Inner Race: Gcr15 Steel, hardened HRC 58-64, precision ground, surface phosphated.

Slidingcontact surfaces : Steel/ Steel



Bearing No.	Dimensions(mm/inch)										Load ratings KN		weight ≈ kg
	d	D	B	C	T	dk	S	A	rs, r1s min	α°	Dynamic	Static	
GACZ88S	88.9	139.7	50.80	42.54	55.37	128.02	9.51	17.86	4.6	5	389	1167	3.57
	3.5	5.5	2	1.675	2.18	5.04	0.374	0.703	0.18				
GACZ95S	95.25	149.225	54.61	45.85	59.44	136.91	10.1	19.43	4.6	4.5	449	1348	4.35
	3.75	5.875	2.15	1.805	2.34	5.39	0.398	0.765	0.18				
GACZ101S	101.6	158.75	58.42	49.15	63.50	146.05	10.4	19.84	4.6	4.5	515	1545	5.26
	4	6.25	2.3	1.935	2.5	5.75	0.409	0.781	0.18				
GACZ114S	114.3	177.8	65.79	55.75	71.12	164.46	12.4	22.22	4.6	4.5	663	1990	7.76
	4.5	7	2.59	2.195	2.8	6.475	0.488	0.875	0.18				
GACZ127S	127	196.85	73.15	62.36	79.50	182.63	13.9	25.4	4.6	4.5	818	2445	11.07
	5	7.75	2.88	2.455	3.13	7.19	0.547	1	0.18				
GACZ152S	152.4	222.25	78.74	66.42	85.72	207.16	16.1	34.8	4.6	4.5	985	2955	17.37
	6	8.75	3.1	2.615	3.375	8.156	0.634	1.37	0.18				