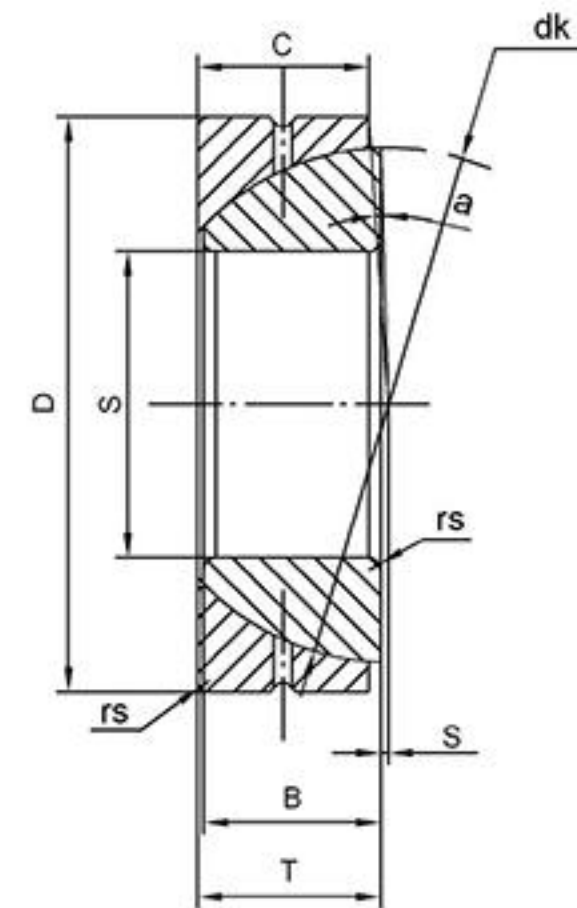


## GAC..S

Inner Race: Gcr15 Steel, hardened HRC 58-64,  
surface phosphated.

Outer Race: Gcr15 Steel, hardened HRC 58-64,  
surface phosphated.

Sliding contact surfaces : Steel/ Steel



Bearing No.	Dimensions(mm)								Load ratings KN		a° ≈	Weight ≈ kg
	d	D	B	C	T	dk	S	r <sub>s min</sub>	Dynamic	Static		
GAC25S	25	47	15	14	15	42	0.6	1	50	250	2.5	0.148
GAC28S	28	52	15	15	16	47	1	1	60	300	2	0.186
GAC30S	30	55	17	15	17	49.5	1.3	1	63	315	4.5	0.208
GAC32S	32	58	17	16	17	52	2	1	71	354	2	0.241
GAC35S	35	62	18	16	18	55.5	2.1	1	78	390	4	0.268
GAC40S	40	68	19	17	19	62	2.8	1	92	463	5	0.327
GAC45S	45	75	20	18	20	68.5	3.5	1	108	540	3	0.416
GAC50S	50	80	20	19	20	74	4.3	1	123	618	1.5	0.455
GAC55S	55	90	23	20	23	82	5	1.1	144	721	4	0.645
GAC60S	60	95	23	21	23	88.5	5.7	1.1	163	817	2.5	0.714
GAC65S	65	100	23	22	23	93.5	6.5	1.1	180	905	1	0.759
GAC70S	70	110	25	23	25	102	7.2	1.1	206	1030	2	1.04
GAC75S	75	115	25	24	25	107	7.9	1.1	220	1129	1	1.12
GAC80S	80	125	29	25.5	29	115	8.6	1.1	258	1290	3.5	1.54
GAC85S	85	130	29	26.5	29	122	9.4	1.1	284	1422	2	1.61
GAC90S	90	140	32	28	32	128.5	10.1	1.5	316	1580	3.5	2.09
GAC95S	95	145	32	29.5	32	135	10.8	1.5	350	1750	2	2.22
GAC100S	100	150	32	31	32	141	11.6	1.5	384	1923	0.5	2.34
GAC105S	105	160	35	32.5	35	148	12.3	2	423	2116	2	2.93
GAC110S	110	170	38	34	38	155	13	2	463	2318	3	3.68
GAC120S	120	180	38	37	38	168	14.5	2	547	2735	0.5	3.97
GAC130S	130	200	45	43	45	188	18	2.5	710	3550	1	5.92
GAC140S	140	210	45	43	45	198	19	2.5	740	3740	1	6.33
GAC150S	150	225	48	46	48	211	20	3	850	4270	1	8.01
GAC160S	160	240	51	49	51	225	20	3	970	4850	1	9.42
GAC170S	170	260	57	55	57	246	21	3	1190	5950	1	12.3
GAC180S	180	280	64	61	64	260	21	3	1395	6970	1	17.4
GAC190S	190	290	64	62	64	275	26	3	1500	7500	0.5	18.2
GAC200S	200	310	70	66	70	290	26	3	1680	8420	1.5	22.5