

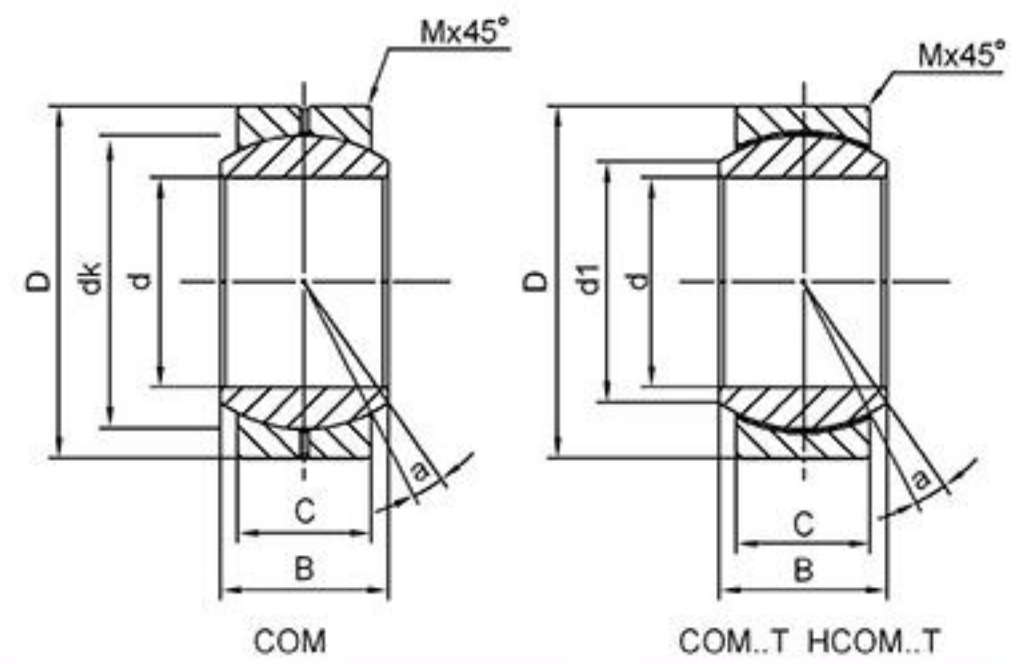
COM/HCOM & COM-T/HCOM-T

Ball: Gcr15 Steel, hardened HRC 58-64,
precision ground, hard chrome plated.

Outer Race: Carbon steel.

COM..T/HCOMT.. : PTFE composite or PTFE fabric

Sliding contact surfaces: steel/steel or steel/PTFE composite.



| Bearing No. | Dimensions(mm) | | | | | | Misalign angle a° | Ult, Radial static load (KN) | Weight ≈ kg |
|-----------------------|--------------------------------|----------------------------|---------------------|---------------------|-------|--------------------|----------------------|------------------------------|----------------|
| | d ^{+0.038 -0.012} | D ^{+0 -0.016} | B ^{±0.127} | C ^{±0.127} | dk | r _{sx45°} | | | |
| COM3 | 0.1900 | 0.5625 | 0.281 | 0.281 | 0.406 | 0.020 | 11 | 21.6 | 0.0045 |
| COM3T | 4.825 | 14.288 | 7.14 | 5.54 | 10.31 | 0.4 | | | |
| COM4 | 0.2500 | 0.6562 | 0.343 | 0.250 | 0.500 | 0.022 | 13.5 | 33 | 0.009 |
| COM4T | 6.35 | 16.667 | 8.71 | 6.35 | 12.7 | 0.55 | | | |
| COM5 | 0.3125 | 0.7500 | 0.375 | 0.281 | 0.562 | 0.032 | 12 | 43.2 | 0.0136 |
| COM5T | 7.938 | 19.05 | 9.53 | 7.14 | 14.27 | 0.8 | | | |
| COM6 | 0.3750 | 0.8125 | 0.406 | 0.312 | 0.656 | 0.032 | 10 | 56 | 0.018 |
| COM6T | 9.525 | 20.638 | 10.31 | 7.92 | 16.66 | 0.8 | | | |
| COM7 | 0.4375 | 0.9062 | 0.437 | 0.434 | 0.718 | 0.032 | 8 | 63 | 0.022 |
| COM7T | 11.113 | 23.017 | 11.1 | 8.71 | 18.23 | 0.8 | | | |
| COM8 | 0.5000 | 1.0000 | 0.500 | 0.390 | 0.813 | 0.032 | 9.5 | 88.4 | 0.031 |
| COM8T | 12.7 | 25.4 | 12.7 | 9.91 | 20.65 | 0.8 | | | |
| COM9 | 0.5625 | 1.0937 | 0.562 | 0.437 | 0.906 | 0.032 | 9.5 | 110.9 | 0.040 |
| COM9T | 14.288 | 27.78 | 14.28 | 11.1 | 23.01 | 0.8 | | | |
| COM10 | 0.6250 | 1.1875 | 0.625 | 0.500 | 1.000 | 0.032 | 8.5 | 141.9 | 0.049 |
| COM10T | 15.875 | 30.163 | 15.88 | 12.7 | 25.4 | 0.8 | | | |
| COM12 | 0.7500 | 1.4375 | 0.750 | 0.593 | 1.187 | 0.044 | 9 | 212.98 | 0.090 |
| COM12T | 19.05 | 36.512 | 19.05 | 15.06 | 30.15 | 1.1 | | | |
| COM14 | 0.8750 | 1.5625 | 0.875 | 0.703 | 1.312 | 0.044 | 9.5 | 279.9 | 0.118 |
| COM14T | 22.225 | 39.688 | 22.23 | 17.86 | 33.32 | 1.1 | | | |
| COM16 | 1.0000 | 1.7500 | 1.00 | 0.797 | 1.500 | 0.044 | 10 | 368.3 | 0.177 |
| COM16T | 25.4 | 44.45 | 25.4 | 20.24 | 38.1 | 1.1 | | | |
| HCOM../HCOM..T | | | | | | | | | |
| HCOM16 | 1.0000 | 2.0000 | 1.000 | 0.781 | 1.678 | 0.032 | 9 | 472.5 | 0.249 |
| HCOM16T | 25.4 | 50.8 | 25.4 | 19.84 | 42.62 | 0.8 | | | |
| HCOM19 | 1.1875 | 2.3750 | 1.187 | 0.937 | 2.000 | 0.032 | 8.5 | 672.1 | 0.408 |
| HCOM19T | 30.162 | 60.325 | 30.15 | 23.8 | 50.8 | 0.8 | | | |
| HCOM20 | 1.2500 | 2.3750 | 1.175 | 0.937 | 2.000 | 0.032 | 8.5 | 672.1 | 0.408 |
| HCOM20T | 31.75 | 60.325 | 30.15 | 23.8 | 50.8 | 0.8 | | | |
| HCOM24 | 1.5000 | 2.7500 | 1.375 | 1.094 | 2.312 | 0.032 | 8.5 | 907.1 | 0.616 |
| HCOM24T | 38.1 | 69.85 | 34.92 | 27.79 | 58.72 | 0.8 | | | |
| HCOM28 | 1.7500 | 3.1250 | 1.562 | 1.250 | 2.625 | 0.044 | 8.0 | 1176.7 | 0.884 |
| HCOM28T | 44.45 | 79.375 | 39.67 | 31.75 | 66.68 | 1.1 | | | |
| HCOM32 | 2.0000 | 3.5000 | 1.750 | 1.375 | 2.937 | 0.044 | 8.5 | 1448.2 | 1.206 |
| HCOM32T | 50.8 | 88.9 | 44.45 | 34.92 | 74.6 | 1.1 | | | |