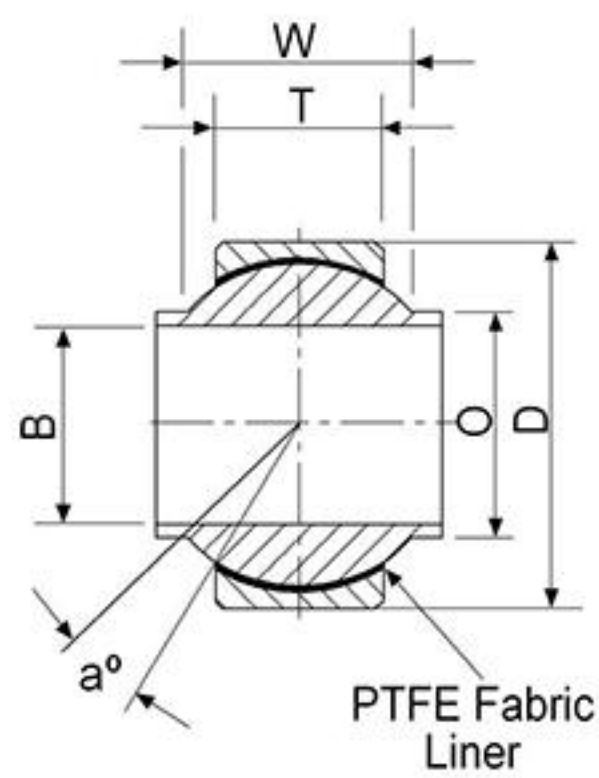
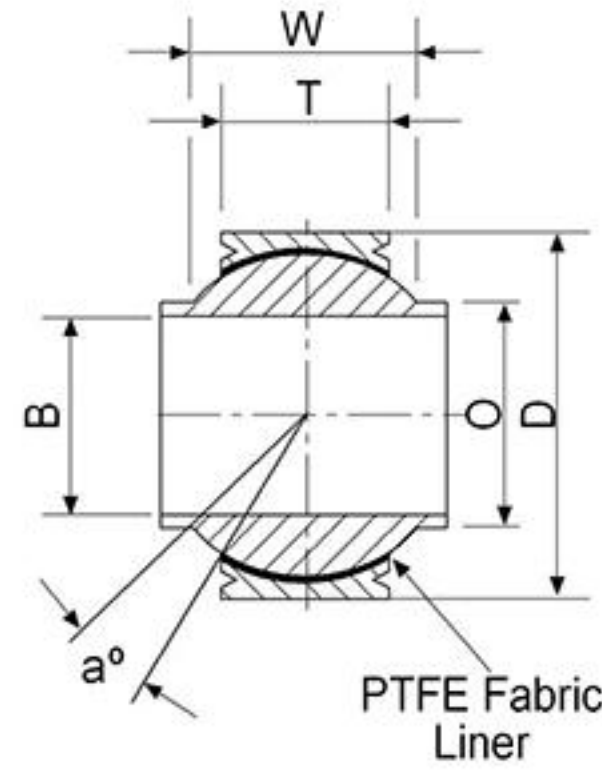


YSSB & YSSB..V



• YSSB



• YSSB-V

| Bearing No. | | B | D | W | T | O | REF | a° | Static Radial Limit Load (Pounds) | Static Axial Limit Load (Pounds) | Dynamic Oscillating Radial Load (Pounds) | Approx. Weight (Pounds) |
|-------------|---------|--------------------|--------------------|------------------|--------|------------------|-------|-----------|-----------------------------------|----------------------------------|--|-------------------------|
| | | + .0000 - .0005 | + .0000 - .0005 | + .000 - .002 | ± .005 | + .000 - .010 | | Ball Bore | | | | |
| YSSB4 | YSSB4V | .2500 | .7400 | .593 | .255 | .390 | .593 | 24 | 7,100 | 450 | 3,800 | .036 |
| YSSB5 | YSSB5V | .3125 | .6875 | .625 | .255 | .418 | .593 | 20 | 9,000 | 450 | 3,800 | .025 |
| YSSB6 | YSSB6V | .3750 | .9060 | .813 | .345 | .512 | .781 | 23 | 16,000 | 2,000 | 7,200 | .068 |
| YSSB7 | YSSB7V | .4375 | 1.0000 | .875 | .345 | .618 | .875 | 22 | 19,300 | 2,000 | 8,100 | .095 |
| YSSB8 | YSSB8V | .5000 | 1.1250 | .937 | .401 | .730 | 1.000 | 20 | 26,100 | 3,200 | 10,900 | .159 |
| YSSB10 | YSSB10V | .6250 | 1.3750 | 1.200 | .567 | .856 | 1.250 | 20 | 44,500 | 7,000 | 20,000 | .245 |
| YSSB12 | YSSB12V | .7500 | 1.5625 | 1.280 | .620 | .970 | 1.375 | 18 | 54,800 | 8,700 | 24,200 | .315 |

Ball
440c
Stainless Steel
Rc 56 Min.

Race
17-4
Stainless Steel
Heat Treated

Liner
PTFE Fabric
Permanently Bonded
to Race I.D.

This series is also available with an optional 52100 heat treated and hard chrome plated ball. To specify this configuration use p/n YSBT(4-12) or YSBT(4-12)V in place of part numbers in table.