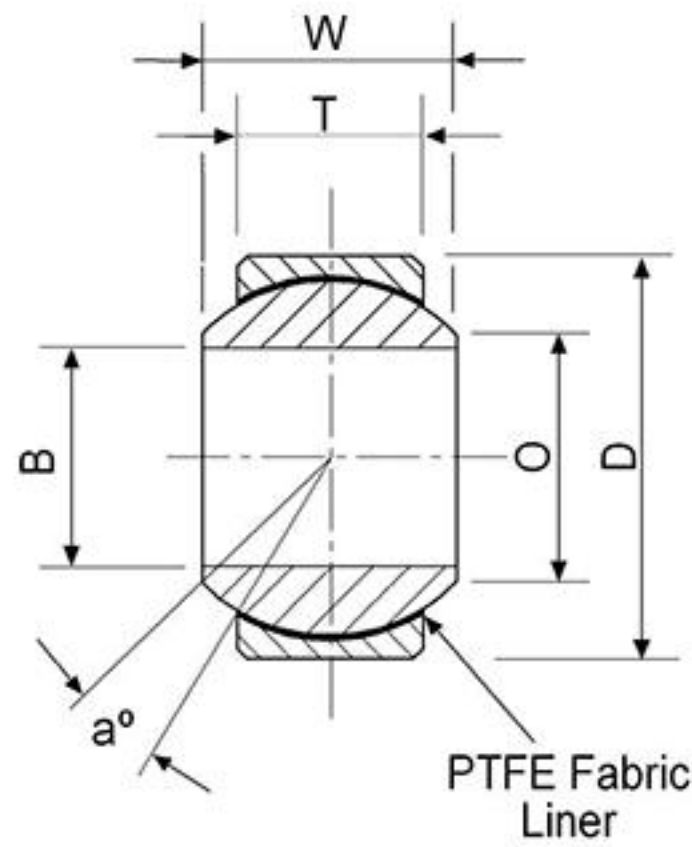
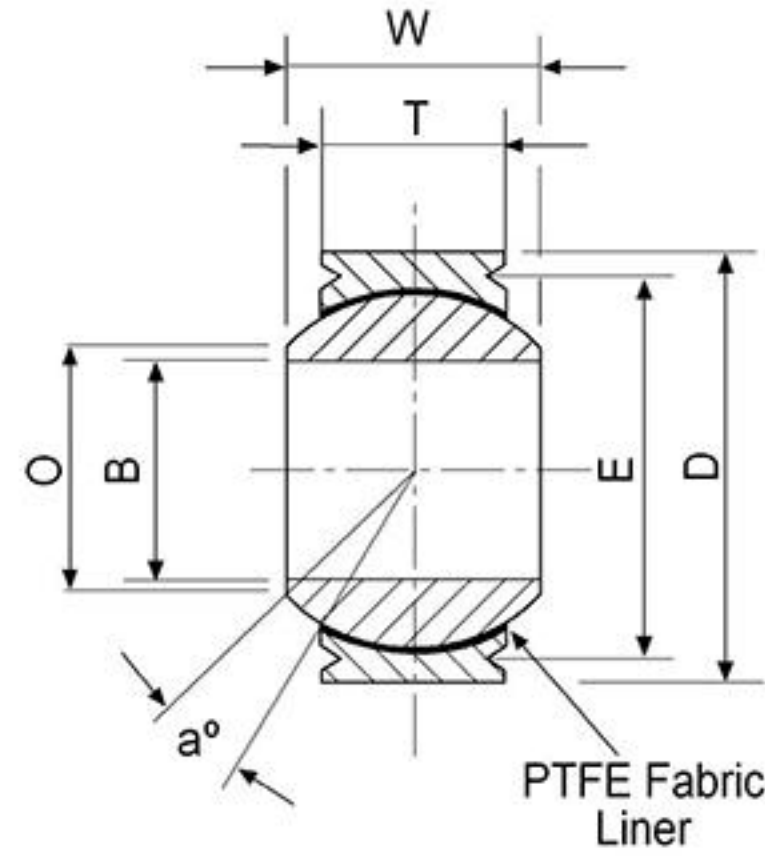


WSSB & WSSB..V



• WSSB



• WSSB-V

Bearing No.	B +.0000 -.0005	D +.0000 -.0005	W +.000 -.002	T ±.005	E +.000 -.010	O REF	REF	a°	Static Radial Limit Load (Pounds)	Static Axial Limit Load (Pounds)	Dyngmic Oscillating Radial Load (Pounds)	Approx. Weight (Pounds)	
													Ball Bore
WSSB3	WSSB3V	.1900	.6250	.437	.327	.565	.301	.531	15	9,000	1,770	3,770	.031
WSSB4	WSSB4V	.2500	.6250	.437	.327	.565	.301	.531	15	9,000	1,770	3,770	.031
WSSB5	WSSB5V	.3125	.6875	.437	.317	.627	.401	.593	14	9,400	1,640	4,650	.035
WSSB6	WSSB6V	.3750	.8125	.500	.406	.714	.471	.687	8	13,700	2,630	6,390	.060
WSSB7	WSSB7V	.4375	.9375	.562	.442	.839	.542	.781	10	20,700	3,650	9,390	.080
WSSB8	WSSB8V	.5000	1.0000	.625	.505	.902	.612	.875	9	27,500	4,970	12,150	.100
WSSB10	WSSB10V	.6250	1.1875	.750	.567	1.089	.752	1.062	12	39,000	6,130	16,700	.160
WSSB12	WSSB12V	.7500	1.3750	.875	.630	1.253	.892	1.250	13	52,300	7,730	22,100	.240
WSSB14	WSSB14V	.8750	1.6250	.875	.755	1.503	1.061	1.375	6	67,300	10,800	28,200	.350
WSSB16	WSSB16V	1.0000	2.1250	1.375	1.005	2.003	1.275	1.875	12	137,000	19,300	53,700	.970

Ball
440c Stainless Steel
Rc 56 Min.

Race
17-4 PH
Stainless Steel
Heat Treated

Liner
PTFE Fabric
Permanently Bonded
to Race I.D.

This series is also available with an optional 52100 heat treated and hard chrome plated ball. To specify this configuration use p/n WSBT(3-16) or WSBT(3-16)V in place of part numbers in table.