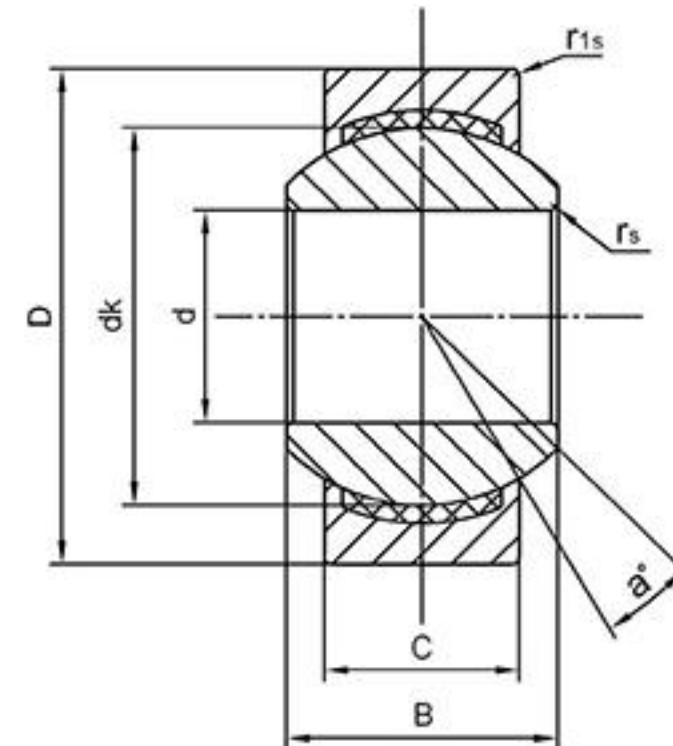


**SGE..PW**

Ball: 440C Stainless steel, heat treated, precision ground

Outer Race: 304 Stainless steel, with liner of PTFE composite.

Sliding contact surfaces: Steel/PTFE Composite.



Bearing No.	Dimensions(mm)							Load ratings KN		a° ≈	weight ≈ kg
	d	D	B	C	dk	r <sub>s</sub>	r <sub>1s</sub>	Dynamic	Static		
SGE5PW	5	13	8	6	11.112	0.3	0.3	6	15	13	0.006
SGE6PW	6	16	9	6.75	12.7	0.3	0.3	7.65	19.3	13	0.010
SGE8PW	8	19	12	9	15.875	0.3	0.3	12.9	32	14	0.018
SGE10PW	10	22	14	10.5	19.05	0.3	0.3	18	45	13	0.027
SGE12PW	12	26	16	12	22.225	0.3	0.3	24	60	13	0.043
SGE14PW	14	28	19	13.5	25.4	0.3	0.3	31	76.5	16	0.055
SGE16PW	16	32	21	15	28.575	0.3	0.3	39	96.5	15	0.08
SGE18PW	18	35	23	16.5	31.75	0.3	0.3	47.5	118	15	0.10
SGE20PW	20	40	25	18	34.925	0.3	0.6	57	140	14	0.15
SGE22PW	22	42	28	20	38.1	0.3	0.6	68	170	15	0.18
SGE25PW	25	47	31	22	42.85	0.3	0.6	85	212	15	0.24
SGE30PW	30	55	37	25	50.8	0.3	0.6	114	285	17	0.38