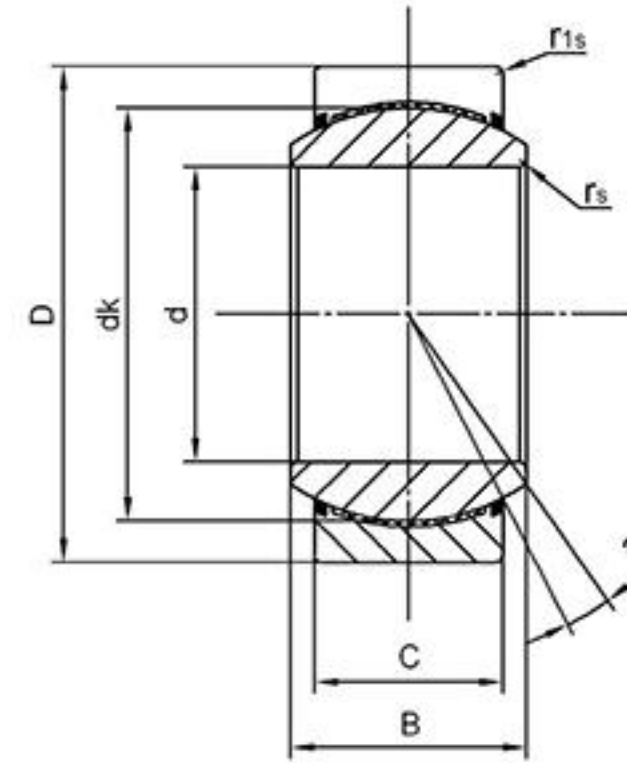


## SGE..ET-2RS

Inner Race: 440C Stainless steel, heat treated,  
precision ground

Outer Race: 304 Stainless steel, with liner of PTFE fabric

Sliding contact surfaces: Steel/PTFE fabric.



SGE..ET-2RS

Bearing No.	Dimensions(mm)							Load ratings KN		a° ≈	weight ≈ kg
	d	D	B	C	dk	r <sub>s</sub>	r <sub>1s</sub>	Dynamic	Static		
SGE15ET-2RS	15	26	12	9	22	0.3	0.3	25	50	8	0.027
SGE17ET-2RS	17	30	14	10	25	0.3	0.3	32	64	10	0.041
SGE20ET-2RS	20	35	16	12	29	0.3	0.3	45	90	9	0.066
SGE25ET-2RS	25	42	20	16	35.5	0.6	0.6	85	170	7	0.119
SGE30ET-2RS	30	47	22	18	40.7	0.6	0.6	110	220	6	0.153
SGE35ET-2RS	35	55	25	20	47	0.6	1	140	280	6	0.233
SGE40ET-2RS	40	62	28	22	53	0.6	1	175	350	7	0.306
SGE45ET-2RS	45	68	32	25	60	0.6	1	225	450	7	0.427
SGE50ET-2RS	50	75	35	28	66	0.6	1	275	550	6	0.546
SGE55ET-2RS	55	85	40	32	74	0.6	1	355	710	7	0.939
SGE60ET-2RS	60	90	44	36	80	1	1	430	860	6	1.04