

MIB/MIB..T & AIB/AIB..T & SIB/SIB..T

BALL

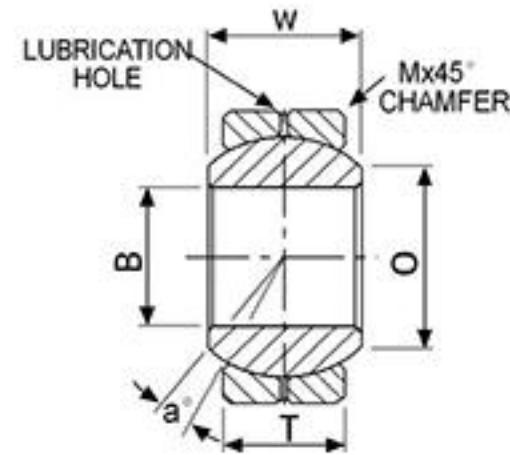
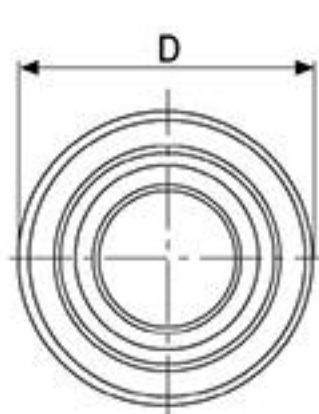
- 52100 Bearing Steel
- Heat Treated
- Hard Chrome Plated
- Precision Ground

RACE

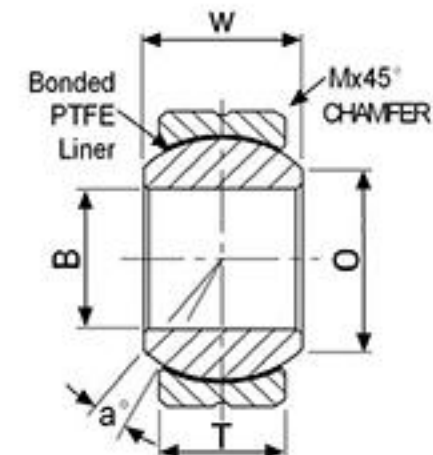
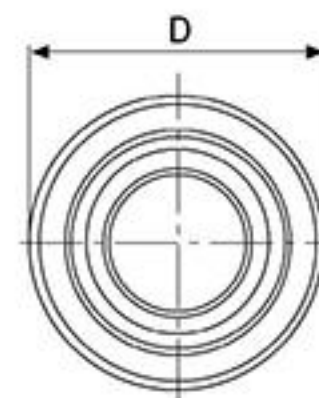
MIB: Low Carbon Steel, I.D. Protective Coated for Corrosion Resistance, Oil coated Mfr. Option - Stainless Steel, Heat Treated.

AIB: Alloy Steel, Heat Treated, I.D. Protective Coated for Corrosion Resistance, Oil coated Mfr. Option - Stainless Steel, Heat Treated.

SIB: Stainless Steel, Heat Treated and Oil Coated.



• MIB/AIB/SIB



• MIB-T/AIB-T/SIB-T

PART NUMBER			DIMENSIONS IN INCHES										
MIB	AIB	SIB	B +.0015 -.0005	D +.0000 -.0007	T +.0000	W ±.005	Ø Flat Dia. Ref.	M Chamfer Ref.	Ball Dia. Ref.	Misalign Angle a°	Ult. Radial Static Load Lbs.		Approx. Brg.Wgt. Lbs.
											MIB	AIB/SIB	
MIB3	AIB3	SIB3	0.1900	0.5312	0.250	0.312	0.307	0.020	0.437	10.5	4,370	6,555	0.02
MIB4	AIB4	SIB4	0.2500	0.6094	0.281	0.375	0.331	0.020	0.500	14.5	5,620	8,430	0.02
MIB5	AIB5	SIB5	0.3125	0.7500	0.344	0.437	0.448	0.020	0.625	11.0	8,600	12,900	0.04
MIB6	AIB6	SIB6	0.3750	0.8437	0.406	0.500	0.516	0.020	0.719	9.50	11,677	17,516	0.06
MIB7	AIB7	SIB7	0.4375	1.0000	0.437	0.562	0.587	0.020	0.812	11.0	14,194	21,291	0.08
MIB8	AIB8	SIB8	0.5000	1.0937	0.500	0.625	0.699	0.020	0.937	9.50	18,740	28,110	0.11
MIB10	AIB10	SIB10	0.6250	1.3125	0.562	0.750	0.839	0.030	1.125	12.0	25,290	37,935	0.17
MIB12	AIB12	SIB12	0.7500	1.5000	0.687	0.875	0.978	0.030	1.312	10.0	32,448	48,672	0.25
MIB16	AIB16	SIB16	1.0000	2.1250	1.000	1.375	1.275	0.060	1.875	15.0	60,000	90,000	0.79

Bearing No.			DIMENSIONS IN INCHES										
MIB-T	AIB-T	SIB-T	B +.0015 -.0005	D +.0000 -.0007	T +.0000	W ±.005	Ø Flat Dia. Ref.	M Chamfer Ref.	Ball Dia. Ref.	Misalign Angle a°	Ult. Radial Static Load Lbs.		Approx. Brg.Wgt. Lbs.
											MIB-T	AIB-T/SIB-T	
MIB3T	AIB3T	SIB3T	0.1900	0.5312	0.250	0.312	0.307	0.020	0.437	10.5	4,370	6,555	0.02
MIB4T	AIB4T	SIB4T	0.2500	0.6094	0.281	0.375	0.331	0.020	0.500	14.5	5,620	8,430	0.02
MIB5T	AIB5T	SIB5T	0.3125	0.7500	0.344	0.437	0.448	0.020	0.625	11.0	8,600	12,900	0.04
MIB6T	AIB6T	SIB6T	0.3750	0.8437	0.406	0.500	0.516	0.020	0.719	9.50	11,677	17,516	0.06
MIB7T	AIB7T	SIB7T	0.4375	1.0000	0.437	0.562	0.587	0.020	0.812	11.0	14,194	21,291	0.08
MIB8T	AIB8T	SIB8T	0.5000	1.0937	0.500	0.625	0.699	0.020	0.937	9.50	18,740	28,110	0.11
MIB10T	AIB10T	SIB10T	0.6250	1.3125	0.562	0.750	0.839	0.030	1.125	12.0	25,290	37,935	0.17
MIB12T	AIB12T	SIB12T	0.7500	1.5000	0.687	0.875	0.978	0.030	1.312	10.0	32,448	48,672	0.25
MIB16T	AIB16T	SIB16T	1.0000	2.1250	1.000	1.375	1.275	0.060	1.875	15.0	60,000	90,000	0.79