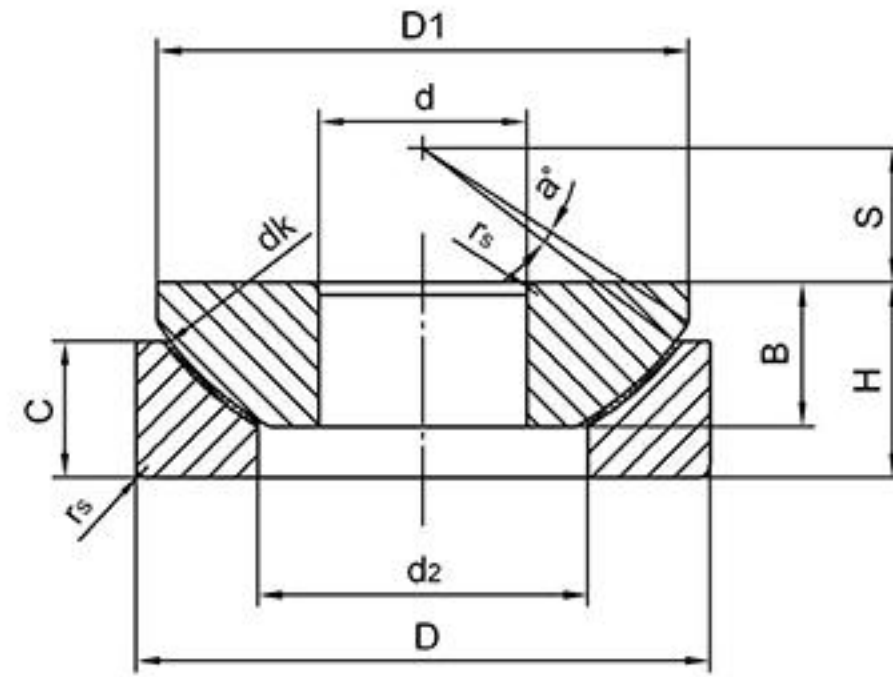


**GX..T**

Outer Race: Gcr15 Steel, hardened HRC 58-64,  
surface phosphated and with liner  
of PTFE fabric.

Inner Race: Gcr15 Steel, hardened HRC 58-64,  
precision ground, hard chrome plated.

Sliding contact surfaces : Steel/ PTFE fabric



Bearing No.	Dimensions(mm)										Load ratings KN		a° ≈	Weight ≈ kg
	d	D	H	B	C	d <sub>1</sub>	d <sub>2</sub> min	D <sub>1</sub> max	S	r <sub>s</sub>	Dynamic	Static		
GX10T	10	30	9.5	7.5	7	32	15.5	27.5	7	0.6	40	81	9	0.036
GX12T	12	35	13	9.5	9.3	38	18	32	8	0.6	56	112	8	0.072
GX15T	15	42	15	11	10.8	46	22.5	39	10	0.6	79	160	8	0.108
GX17T	17	47	16	11.8	11.2	52	27	43.5	11	0.6	92	186	10	0.137
GX20T	20	55	20	14.5	13.8	60	31	50	12.5	1	127	255	9	0.246
GX25T	25	62	22.5	16.5	16.7	68	34.5	58.5	14	1	203	407	7	0.415
GX30T	30	75	26	19	19	82	42	70	17.5	1	275	551	7	0.614
GX35T	35	90	28	22	20.7	98	50.5	84	22	1	403	806	9	0.973
GX40T	40	105	32	27	21.5	114	59	97	24.5	1	540	1080	9	1.59
GX45T	45	120	36.5	31	25.5	128	67	110	27.5	1	730	1470	7	2.24
GX50T	50	130	42.5	33	30.5	139	70	120	30	1	840	1670	8	3.14
GX60T	60	150	45	37	34	160	84	140	35	1	1140	2280	8	4.63
GX70T	70	160	50	42	36.5	176	94.5	153	35	1	1370	2750	8	5.37
GX80T	80	180	50	43.5	38	197	107.5	172	42.5	1	1700	3410	8	6.91
GX100T	100	210	59	51	46	222	127	198	45	1.1	1940	3890	8	10.9
GX120T	120	230	64	53.5	50	250	145	220	52.5	1.1	2170	4560	6	13.9
GX140T	140	260	72	61	54	274	177	243	52.5	1.5	2700	5440	6	18.1
GX160T	160	290	77	66	58	313	200	271	65	1.5	3265	6250	7	23.2
GX180T	180	320	86	74	62	340	225	299	67.5	1.5	3700	7220	8	30.9
GX200T	200	340	87	80	66	365	247	320	70	1.5	4780	9150	8	34.2