

GEG..ET-2RS
GEG..XT-2RS

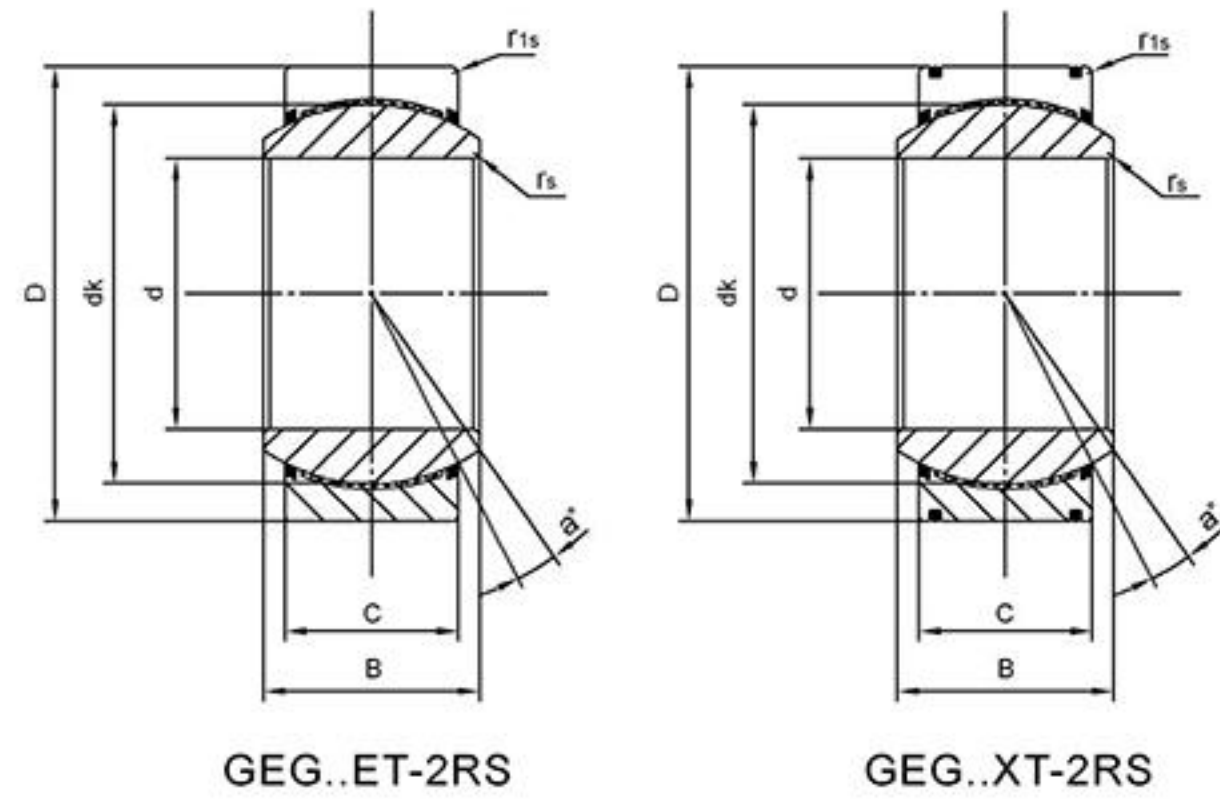
Inner Race: Gcr15 Steel, hardened HRC 58-64, precision ground, hard chrome plated.

Outer Race: Gcr15 Steel, hardened HRC 54-60, surface phosphated, with liner of PTFE fabric.

Material of outer and inner race for bore size

$d \geq 140\text{mm}$: Gcr15 SiMn.

Sliding contact surfaces : Steel/ PTFE fabric.



Bearing No.	Dimensions(mm)							Load ratings KN		a° ≈	weight ≈ kg
	d	D	B	C	dk	r _s	r _{1s}	Dynamic	Static		
GEG15ET-2RS	15	30	16	10	25	0.3	0.3	32	64	16	0.049
GEG17ET-2RS	17	35	20	12	29	0.3	0.3	45	90	19	0.083
GEG20ET-2RS	20	42	25	16	35.5	0.3	0.6	85	170	17	0.153
GEG25ET-2RS	25	47	28	18	40.7	0.6	0.6	110	220	17	0.203
GEG30ET-2RS	30	55	32	20	47	0.6	1	140	280	17	0.304
GEG35ET-2RS	35	62	35	22	53	0.6	1	175	350	16	0.408
GEG40ET-2RS	40	68	40	25	60	0.6	1	225	450	17	0.542
GEG45ET-2RS	45	75	43	28	66	0.6	1	275	550	15	0.713
GEG50ET-2RS	50	90	56	36	80	0.6	1	430	860	17	1.14
GEG60ET-2RS	60	105	63	40	92	1	1	550	1100	17	2.05
GEG70ET-2RS	70	120	70	45	105	1	1	705	1410	16	3.01
GEG80ET-2RS	80	130	75	50	115	1	1	860	1720	14	3.64
GEG90ET-2RS	90	150	85	55	130	1	1	1070	2140	15	5.22
GEG100ET-2RS	100	160	85	55	140	1	1	1150	2300	14	6.05
GEG110ET-2RS	110	180	100	70	160	1	1	1680	3360	12	9.68
GEG120XT-2RS	120	210	115	70	180	1	1	1890	3780	16	14.01
GEG140XT-2RS	140	230	130	80	200	1	1	2400	4800	16	19.01
GEG160XT-2RS	160	260	135	80	225	1.1	1.1	2700	5400	16	24.70
GEG180XT-2RS	180	290	155	100	250	1.1	1.1	3750	7500	14	35.90
GEG200XT-2RS	200	320	165	100	275	1.1	1.1	4120	8240	15	45.28
GEG220XT-2RS	220	340	175	100	300	1.1	1.1	4500	9000	16	51.12
GEG240XT-2RS	240	370	190	110	325	1.1	1.1	5360	10720	15	65.12
GEG260XT-2RS	260	400	205	120	350	1.1	1.1	6300	12600	15	82.44
GEG280XT-2RS	280	430	210	120	375	1.1	1.1	6750	13500	15	97.21