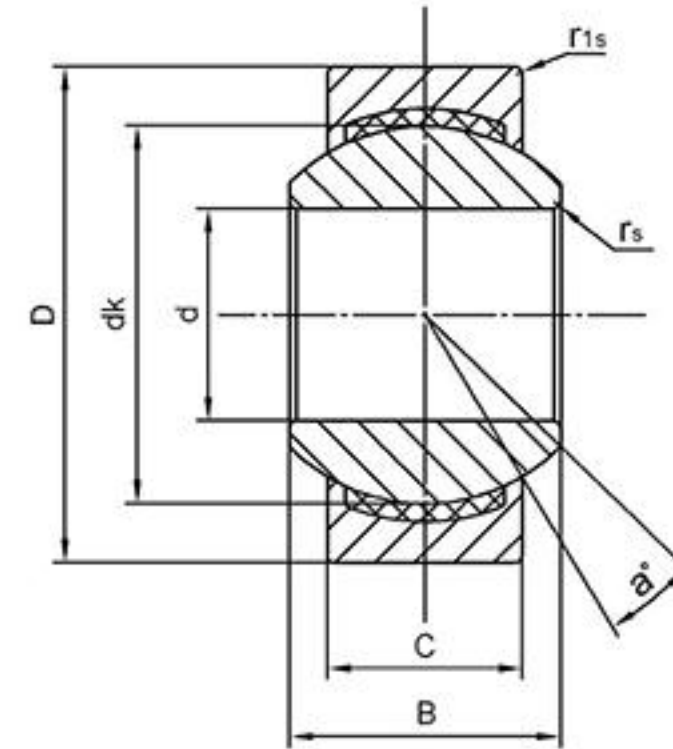


GE..PW

Ball: Gcr15 Steel,hardened HRC 58-64,
Precision ground, hard chrome plated.

Outer Race: Carbon steel, with liner of PTFE composite.

Sliding contact surfaces: Steel/PTFE.



Bearing No.	Dimensions(mm)							Load ratings KN		a° ≈	weight ≈ kg
	d	D	B	C	dk	r _s	r _{1s}	Dynamic	Static		
GE5PW	5	13	8	6	11.112	0.3	0.3	6	15	13	0.006
GE6PW	6	16	9	6.75	12.7	0.3	0.3	7.65	19.3	13	0.010
GE8PW	8	19	12	9	15.875	0.3	0.3	12.9	32	14	0.018
GE10PW	10	22	14	10.5	19.05	0.3	0.3	18	45	13	0.027
GE12PW	12	26	16	12	22.225	0.3	0.3	24	60	13	0.043
GE14PW	14	28	19	13.5	25.4	0.3	0.3	31	76.5	16	0.055
GE16PW	16	32	21	15	28.575	0.3	0.3	39	96.5	15	0.08
GE18PW	18	35	23	16.5	31.75	0.3	0.3	47.5	118	15	0.10
GE20PW	20	40	25	18	34.925	0.3	0.6	57	140	14	0.15
GE22PW	22	42	28	20	38.1	0.3	0.6	68	170	15	0.18
GE25PW	25	47	31	22	42.85	0.3	0.6	85	212	15	0.24
GE30PW	30	55	37	25	50.8	0.3	0.6	114	285	17	0.38