

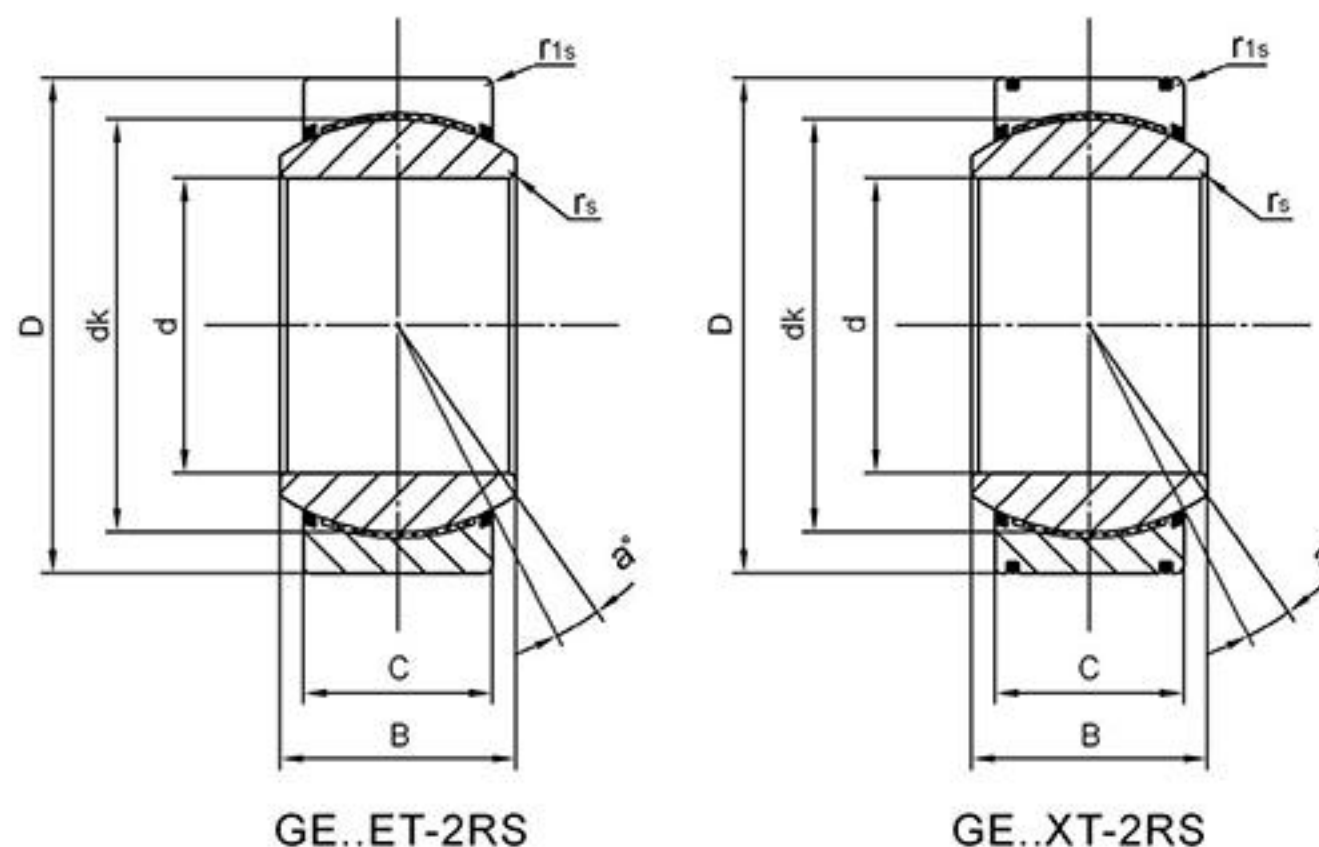
GE..ET-2RS GE..XT-2RS

Inner Race: Gcr15 Steel, hardened HRC 58-64, precision ground, hard chrome plated.

Outer Race: Gcr15 Steel, hardened HRC 54-60, surface phosphated, with liner of PTFE fabric.

Material of outer and inner race for bore size $d \geq 140\text{mm}$: Gcr15SiMn

Sliding contact surfaces: Steel/PTFE fabric.



Bearing No.	Dimensions(mm)							Load ratings KN		α° ≈	weight ≈ kg
	d	D	B	C	dk	r_s	r_{1s}	Dynamic	Static		
GE15ET-2RS	15	26	12	9	22	0.3	0.3	25	50	8	0.027
GE17ET-2RS	17	30	14	10	25	0.3	0.3	32	64	10	0.041
GE20ET-2RS	20	35	16	12	29	0.3	0.3	45	90	9	0.066
GE25ET-2RS	25	42	20	16	35.5	0.6	0.6	85	170	7	0.119
GE30ET-2RS	30	47	22	18	40.7	0.6	0.6	110	220	6	0.153
GE35ET-2RS	35	55	25	20	47	0.6	1	140	280	6	0.233
GE40ET-2RS	40	62	28	22	53	0.6	1	175	350	7	0.306
GE45ET-2RS	45	68	32	25	60	0.6	1	225	450	7	0.427
GE50ET-2RS	50	75	35	28	66	0.6	1	275	550	6	0.546
GE55ET-2RS	55	85	40	32	74	0.6	1	355	710	7	0.939
GE60ET-2RS	60	90	44	36	80	1	1	430	860	6	1.04
GE70ET-2RS	70	105	49	40	92	1	1	550	1100	6	1.55
GE80ET-2RS	80	120	55	45	105	1	1	705	1410	6	2.31
GE90ET-2RS	90	130	60	50	115	1	1	860	1720	5	2.75
GE100ET-2RS	100	150	70	55	130	1	1	1070	2140	7	4.45
GE110ET-2RS	110	160	70	55	140	1	1	1150	2300	6	4.82
GE120ET-2RS	120	180	85	70	160	1	1	1680	3360	6	8.05
GE140XT-2RS	140	210	90	70	180	1	1	1890	3780	7	11.02
GE160XT-2RS	160	230	105	80	200	1	1	2400	4800	8	14.01
GE180XT-2RS	180	260	105	80	225	1.1	1.1	2700	5400	6	18.65
GE200XT-2RS	200	290	130	100	250	1.1	1.1	3750	7500	7	28.03
GE220XT-2RS	220	320	135	100	275	1.1	1.1	4120	8240	8	35.51
GE240XT-2RS	240	340	140	100	300	1.1	1.1	4500	9000	8	39.91
GE260XT-2RS	260	370	150	110	325	1.1	1.1	5360	10720	7	51.54
GE280XT-2RS	280	400	155	120	350	1.1	1.1	6300	12600	6	65.06
GE300XT-2RS	300	430	165	120	375	1.1	1.1	6750	13500	7	78.07