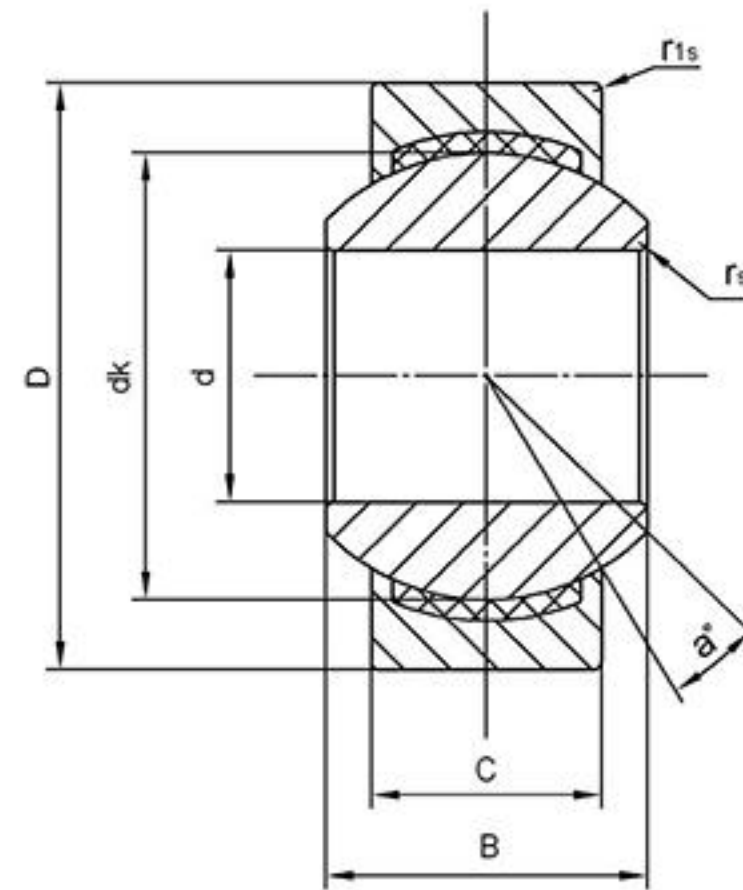


**GE..C**  
**GEG..C**

Ball:Gcr15 Steel,hardened HRC 58-64, Precision ground, hard chrome plated.

Outer Race:Carbon Steel with PTFE composite.

Sliding contact surfaces : Steel/ PTFE composite.



Bearing No.	Dimensions(mm)							Load ratings KN		a° ≈	weight ≈ kg
	d	D	B	C	dk	r <sub>s min</sub>	r <sub>1s min</sub>	Dynamic	Static		
<b>GE..C</b>											
GE4C	4	12	5	3	8	0.3	0.3	2.1	5.4	16	0.003
GE5C	5	14	6	4	10	0.3	0.3	3.6	9.1	13	0.005
GE6C	6	14	6	4	10	0.3	0.3	3.6	9.1	13	0.004
GE8C	8	16	8	5	13	0.3	0.3	5.8	14	15	0.008
GE10C	10	19	9	6	16	0.3	0.3	8.6	21	12	0.011
GE12C	12	22	10	7	18	0.3	0.3	11	28	10	0.015
GE15C	15	26	12	9	22	0.3	0.3	18	45	8	0.027
GE17C	17	30	14	10	25	0.3	0.3	22	56	10	0.041
GE20C	20	35	16	12	29	0.3	0.3	31	78	9	0.066
GE25C	25	42	20	16	35.5	0.6	0.6	51	127	7	0.119
GE30C	30	47	22	18	40.7	0.6	0.6	65	166	6	0.163
<b>GEG..C</b>											
GEG4C	4	14	7	4	10	0.3	0.3	3.6	9.1	20	0.005
GEG5C	5	16	9	5	13	0.3	0.3	5.8	14	21	0.008
GEG6C	6	16	9	5	13	0.3	0.3	5.8	14	21	0.006
GEG8C	8	19	11	6	16	0.3	0.3	8.6	21	21	0.014
GEG10C	10	22	12	7	18	0.3	0.3	11	28	18	0.021
GEG12C	12	26	15	9	22	0.3	0.3	18	45	18	0.033
GEG15C	15	30	16	10	25	0.3	0.3	22	56	16	0.049
GEG17C	17	35	20	12	29	0.3	0.3	31	78	19	0.083
GEG20C	20	42	25	16	35.5	0.3	0.3	51	127	17	0.153
GEG25C	25	47	28	18	40.7	0.6	0.6	65	166	17	0.203
GEG30C	30	55	32	20	47	0.6	0.6	83	212	17	0.304