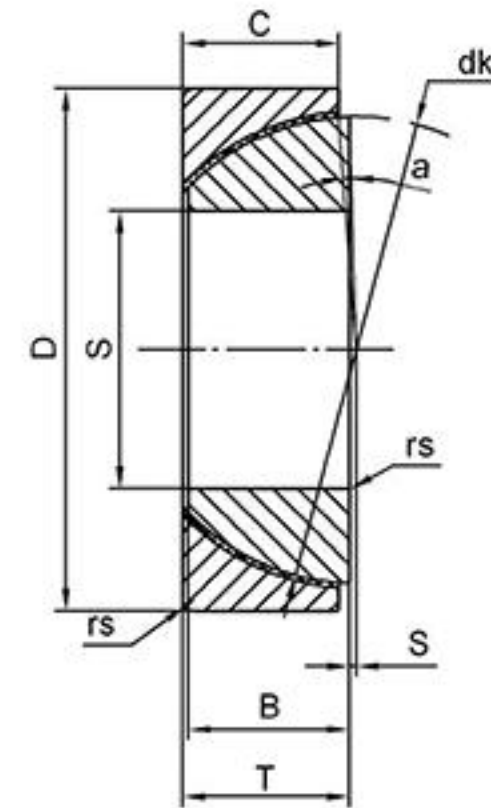


## GAC..T

Outer Race: Gcr15 Steel, hardened HRC 58-64,  
surface phosphated and with liner  
of PTFE fabric.

Inner Race: Gcr15 Steel, hardened HRC 58-64,  
precision ground, hard chrome plated.

Sliding contact surfaces : Steel/PTFE fabric



Bearing No.	Dimensions(mm)								Load ratings KN		a° ≈	Weight ≈ kg
	d	D	B	C	T	dk	S	rs	Dynamic	Static		
GAC25T	25	47	15	14	15	42	0.6	1	75	149	3.5	0.148
GAC28T	28	52	15	15	16	47	1	1	100	200	2	0.186
GAC30T	30	55	17	15	17	49.5	1.3	1	95	188	3	0.208
GAC32T	32	58	17	16	17	52	2	1	125	250	2	0.241
GAC35T	35	62	18	16	18	55.5	2.1	1	117	234	3	0.268
GAC40T	40	68	19	17	19	62	2.8	1	139	277	3	0.327
GAC45T	45	75	20	18	20	68.5	3.5	1	162	324	3	0.416
GAC50T	50	80	20	19	20	74	4.3	1	185	370	3	0.455
GAC55T	55	90	23	20	23	82	5	1.1	216	432	3	0.645
GAC60T	60	95	23	21	23	88.5	5.7	1.1	245	489	3	0.714
GAC65T	65	100	23	22	23	93.5	6.5	1.1	271	542	2.5	0.759
GAC70T	70	110	25	23	25	102	7.2	1.1	309	618	2.5	1.04
GAC75T	75	115	25	24	25	107	7.9	1.1	339	676	2.5	1.12
GAC80T	80	125	29	25.5	29	115	8.6	1.1	387	772	2.5	1.54
GAC85T	85	130	29	26.5	29	122	9.4	1.1	426	851	2.5	1.61
GAC90T	90	140	32	28	32	128.5	10.1	1.5	474	948	2.5	2.09
GAC95T	95	145	32	29.5	32	135	10.8	1.5	525	1049	2.5	2.22
GAC100T	100	150	32	31	32	141	11.6	1.5	577	1151	2	2.34
GAC105T	105	160	35	32.5	35	148	12.3	2	634	1267	2	2.93
GAC110T	110	170	38	34	38	155	13	2	695	1380	2	3.68
GAC120T	120	180	38	37	38	168	14.5	2	820	1630	2	3.97
GAC130T	130	200	45	43	45	188	18	2.5	1060	2130	1	5.92
GAC140T	140	210	45	43	45	198	19	2.5	1120	2240	1	6.33
GAC150T	150	225	48	46	48	211	20	3	1280	2550	1	8.01
GAC160T	160	240	51	49	51	225	20	3	1445	2900	1	9.42
GAC170T	170	260	57	55	57	246	21	3	1780	3560	1	12.3
GAC180T	180	280	64	61	64	260	21	3	2090	4170	1	17.4
GAC190T	190	290	64	62	64	275	26	3	2250	4490	1.5	18.2
GAC200T	200	310	70	66	70	290	26	3	2520	5040	1	22.5