

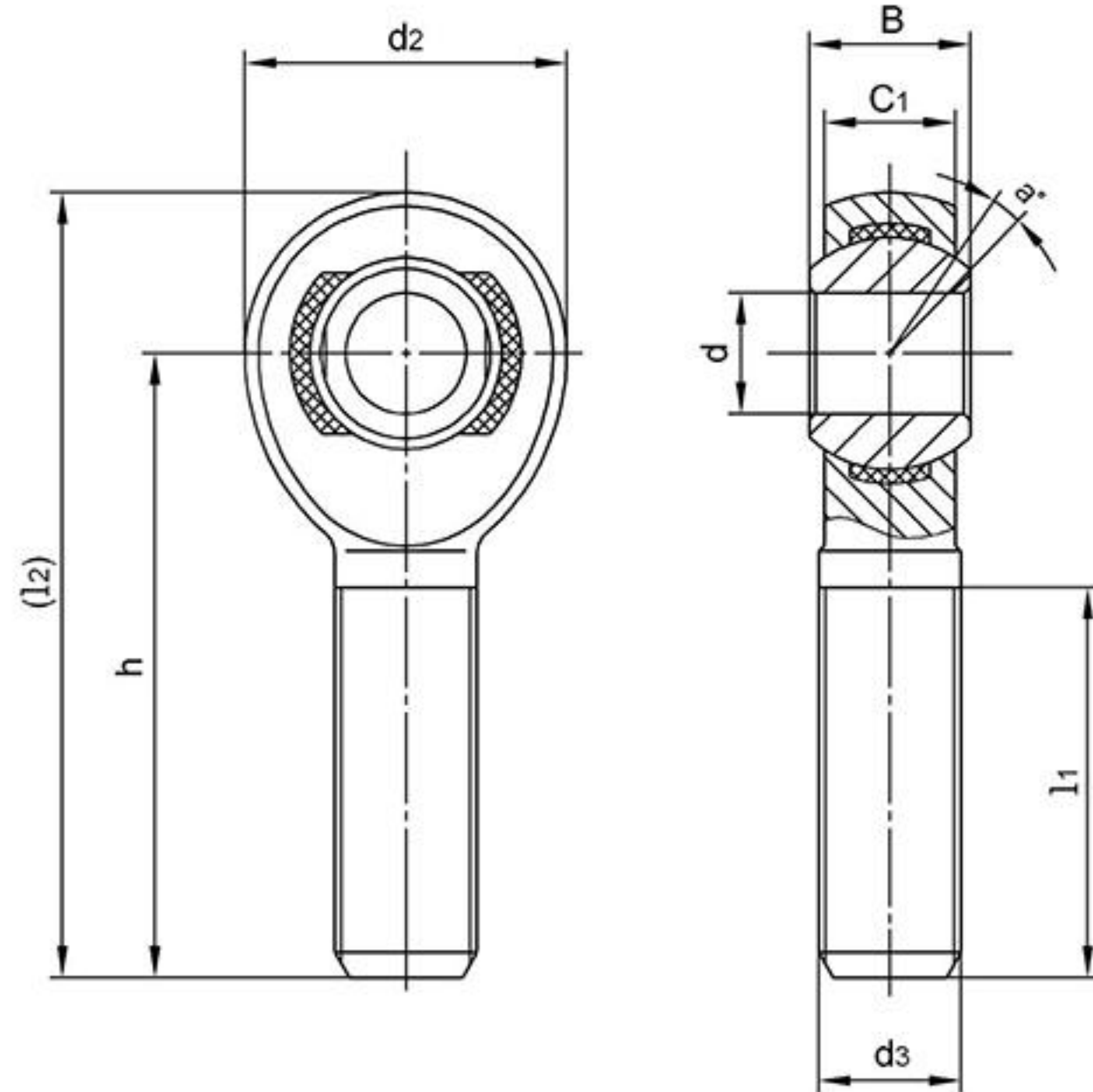
NEXM..

Ball: Gcr15 Steel, heat treated, HRC56min;
 precision ground, polished, hard
 chromium plated

Body: Carbon steel, zinc plated, chromate treated

Race: Nylon polymer with PTFE additive

Sliding contact surfaces: Steel/Nylon



Bearing No.	Dimensions(mm/inches)								Ball dia	a° mis. angle	Load ratings (KN)	weight ≈ kg
	d	B	C1	d2	d3 UNF-2A	h	l1	(l2)				
NEXM3	4.826	7.92	6.35	15.88	10-32	31.75	19.05	39.69	11.11	10	4.4	0.013
	0.1900	0.312	0.250	0.625		1.250	0.750	1.562	0.437			
NEXM4	6.35	9.53	7.14	19.05	1/4-28	39.67	25.4	49.2	12.7	13	8.2	0.018
	0.2500	0.375	0.281	0.750		1.562	1.000	1.937	0.500			
NEXM5	7.938	11.10	8.74	22.23	5/16-24	47.63	31.75	58.75	15.88	10	12.3	0.031
	0.3125	0.437	0.344	0.875		1.875	1.250	2.312	0.625			
NEXM6	9.525	12.7	10.31	25.4	3/8-24	49.22	31.75	61.92	18.26	9	17.4	0.049
	0.3750	0.500	0.406	1.000		1.938	1.250	2.687	0.719			
NEXM7	11.112	14.27	11.1	28.58	7/16-20	53.98	34.93	68.27	20.62	11	18.7	0.068
	0.4375	0.562	0.437	1.125		2.125	1.375	2.678	0.812			
NEXM8	12.7	15.88	12.7	33.32	1/2-20	61.92	38.1	78.58	23.8	9	29.6	0.108
	0.5000	0.625	0.500	1.312		2.438	1.500	3.093	0.937			
NEXM10	15.875	19.05	14.27	38.1	5/8-18	66.68	41.28	85.73	28.58	11	32.7	0.163
	0.6250	0.750	0.562	1.500		2.625	1.625	3.375	1.125			
NEXM12	19.05	22.23	17.45	44.45	3/4-16	73.02	44.45	95.25	33.33	10	51.2	0.258
	0.7500	0.875	0.687	1.750		2.875	1.750	3.750	1.312			

Can supply rod ends with different pitch or accuracy of thread.

For left-hand thread, suffix "L" is added to bearing numbers. eg.: NEXML12 3/4-16L