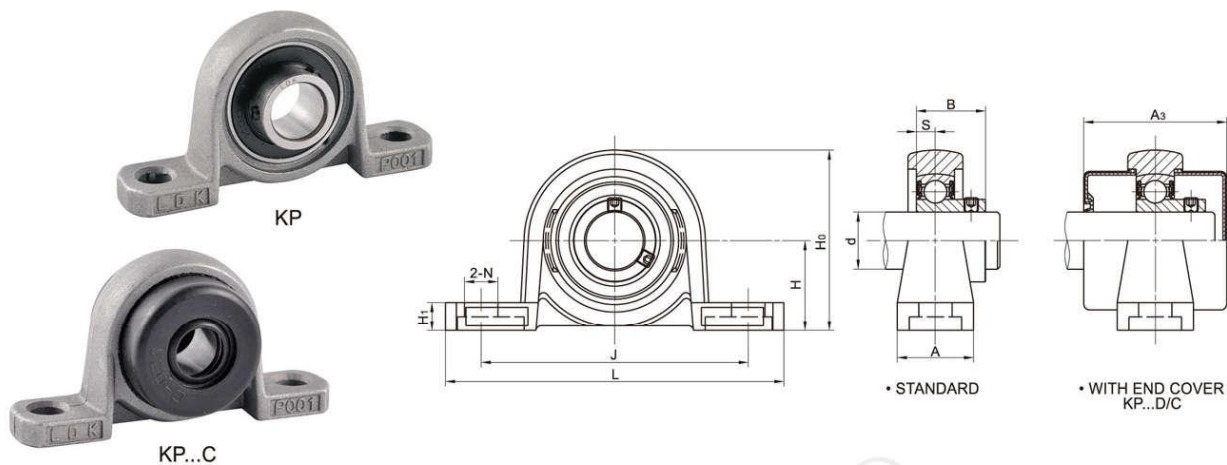


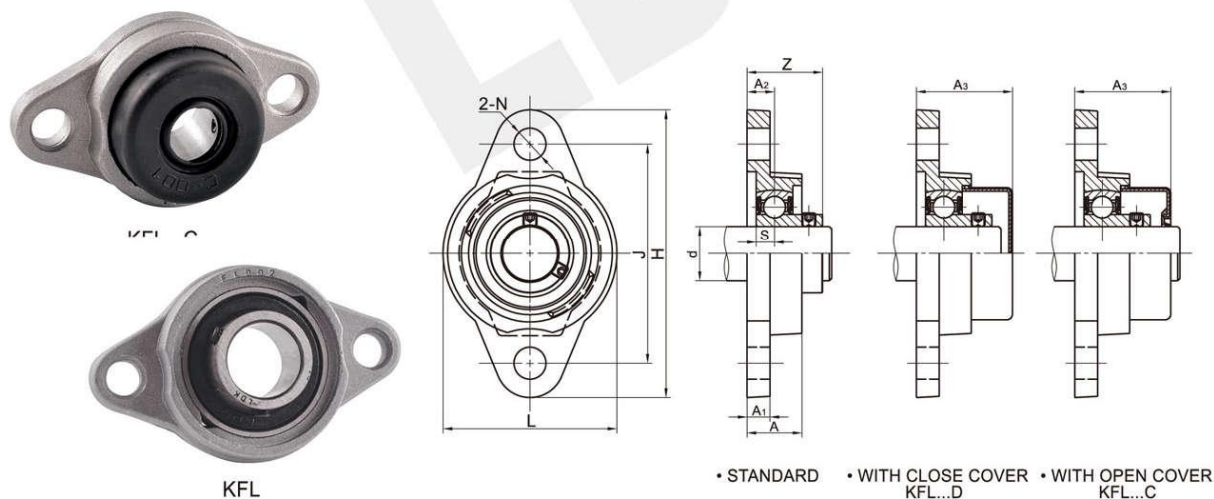
LDK[®] Silver Series

KP/KFL Setscrew/Eccentric locking, Pillow block/2-Bolt flange, With close/open covers



KP000 Series

Unit No.	Shaft d(mm)	Dimensions(mm)										Bolt Size mm	Bearing No.	Housing No.	Weight (kg)
		H	L	J	A	H ₁	H ₀	N	S	B	A ₃				
KP000	10	18	67	53	16	6	35	7	4	14	28.3	M6	K000	P000	0.08
KP001	12	19	71	56	16	6	38	7	4	14.5	30	M6	K001	P001	0.1
KP002	15	22	80	63	16	7	43	7	4.5	16.5	33	M6	K002	P002	0.14
KP003	17	24	85	67	18	7	47	7	5	17.5	36	M6	K003	P003	0.17
KP004	20	28	100	80	20	9	55	10	6	21	40	M8	K004	P004	0.25
KP005	25	32	112	90	20	10	62	10	6	22.5	41	M8	K005	P005	0.33
KP006	30	36	132	106	26	11	70	13	6.5	24.5	43	M10	K006	P006	0.5



KFL000 Series

Unit No.	Shaft d(mm)	Dimensions(mm)										Bolt Size mm	Bearing No.	Housing No.	Weight (kg)
		H	J	A ₂	A ₁	A	N	L	S	Z	A ₃				
KFL000	10	60	45	6	6	12	7	36	4	16	20.3	M6	K000	FL000	0.07
KFL001	12	63	48	6	6	12	7	38	4	16.5	21	M6	K001	FL001	0.08
KFL002	15	67	53	6.5	6.5	13	7	42	4.5	18.5	23	M6	K002	FL002	0.11
KFL003	17	71	56	7	7	14	7	46	5	19.5	25	M6	K003	FL003	0.14
KFL004	20	90	71	8	8	16	10	55	6	23	28	M8	K004	FL004	0.23
KFL005	25	95	75	8	8	16	10	60	6	24.5	28.5	M8	K005	FL005	0.27
KFL006	30	112	85	9	9	18	13	70	6.5	27	30.5	M10	K006	FL006	0.39

Suffix D for close cover, ordering example D002.

Suffix C for close cover, ordering example C002.