

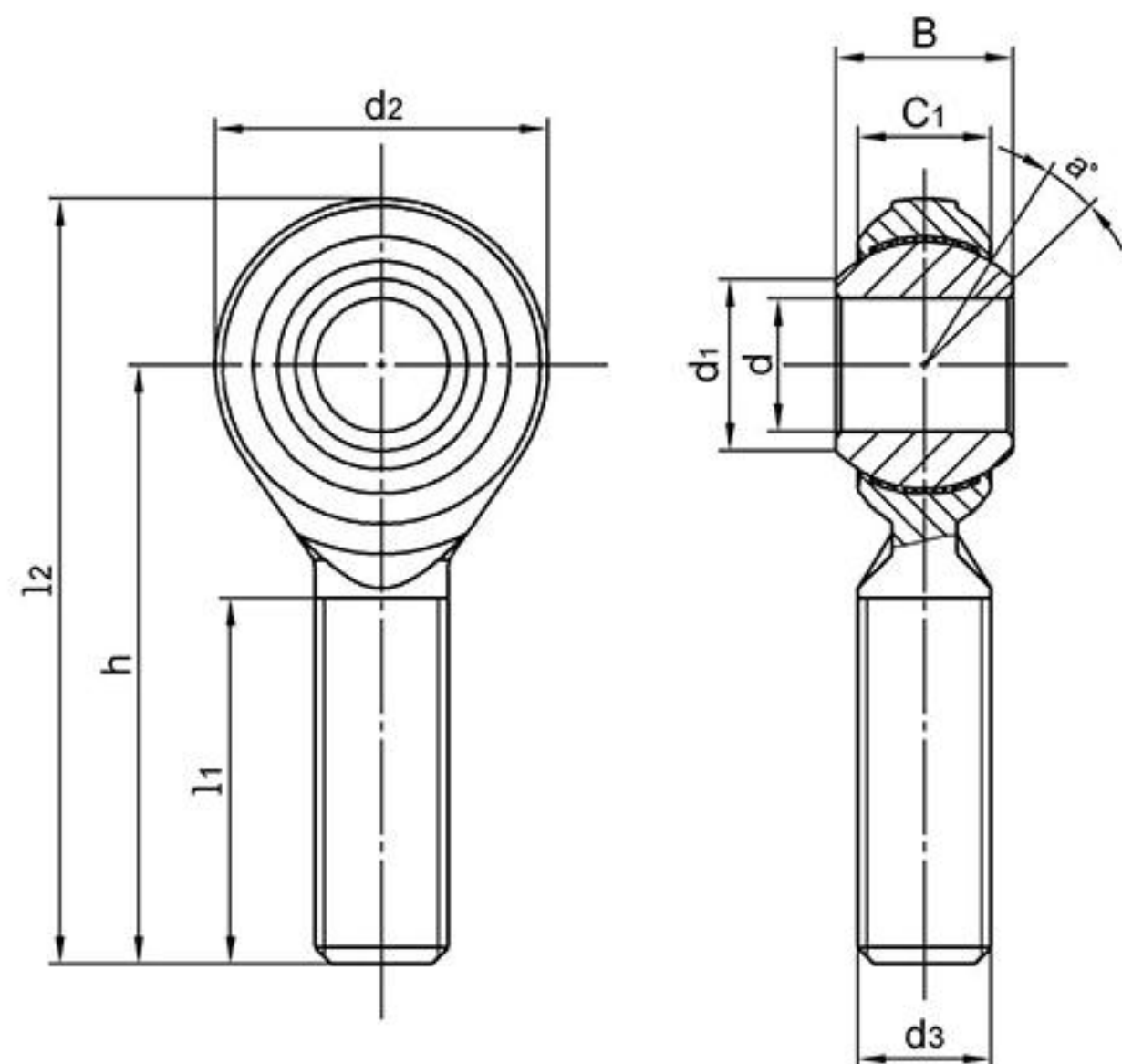
SPOSB..EC

Ball: 440C Stainless steel, heat treated, HRC56 min,

Body: 304 Stainless steel

Race: PTFE composite

Sliding contact surfaces: Steel/PTFE composite



Bearing No.	Dimensions(mm)									Ball dia	a° mis. angle	Load ratings KN		weight ≈ kg
	d ^{+0.038} _{-0.012}	B	C1	d1	d2	d3 _{UNF-2A}	h	l1	l2			Dynamic	Static	
SPOSB3EC	4.826	7.92	6.35	7.77	15.88	10-32	31.75	19.05	39.69	11.11	10	2.8	4.4	0.013
SPOSB4EC	6.35	9.53	7.14	9.02	19.05	1/4-28	39.67	25.4	49.2	12.7	13	4.8	8.2	0.022
SPOSB5EC	7.938	11.10	8.74	11.35	22.23	5/16-24	47.63	31.75	58.75	15.87	10	5.9	13.1	0.037
SPOSB6EC	9.525	12.7	10.31	13.13	25.4	3/8-24	49.22	31.75	61.92	18.26	9	8.2	18.2	0.055
SPOSB7EC	11.11	14.27	11.1	14.88	28.58	7/16-20	53.98	34.93	68.28	20.62	11	10	21.5	0.078
SPOSB8EC	12.7	15.88	12.7	17.73	33.32	1/2-20	61.92	38.1	78.59	23.8	9	15	30.6	0.120
SPOSB10EC	15.88	19.05	14.27	21.31	38.1	5/8-18	66.68	41.28	85.73	28.57	11	18	34.1	0.180
SPOSB12EC	19.05	22.23	17.45	24.84	44.45	3/4-16	73.02	44.45	95.25	33.33	10	27	47.9	0.290

Can supply rod ends with different pitch or accuracy of thread.

For left-hand thread, suffix "L" is added to bearing numbers. eg.: SPOSB12ECL 3/4-16L