

**SJM..T**

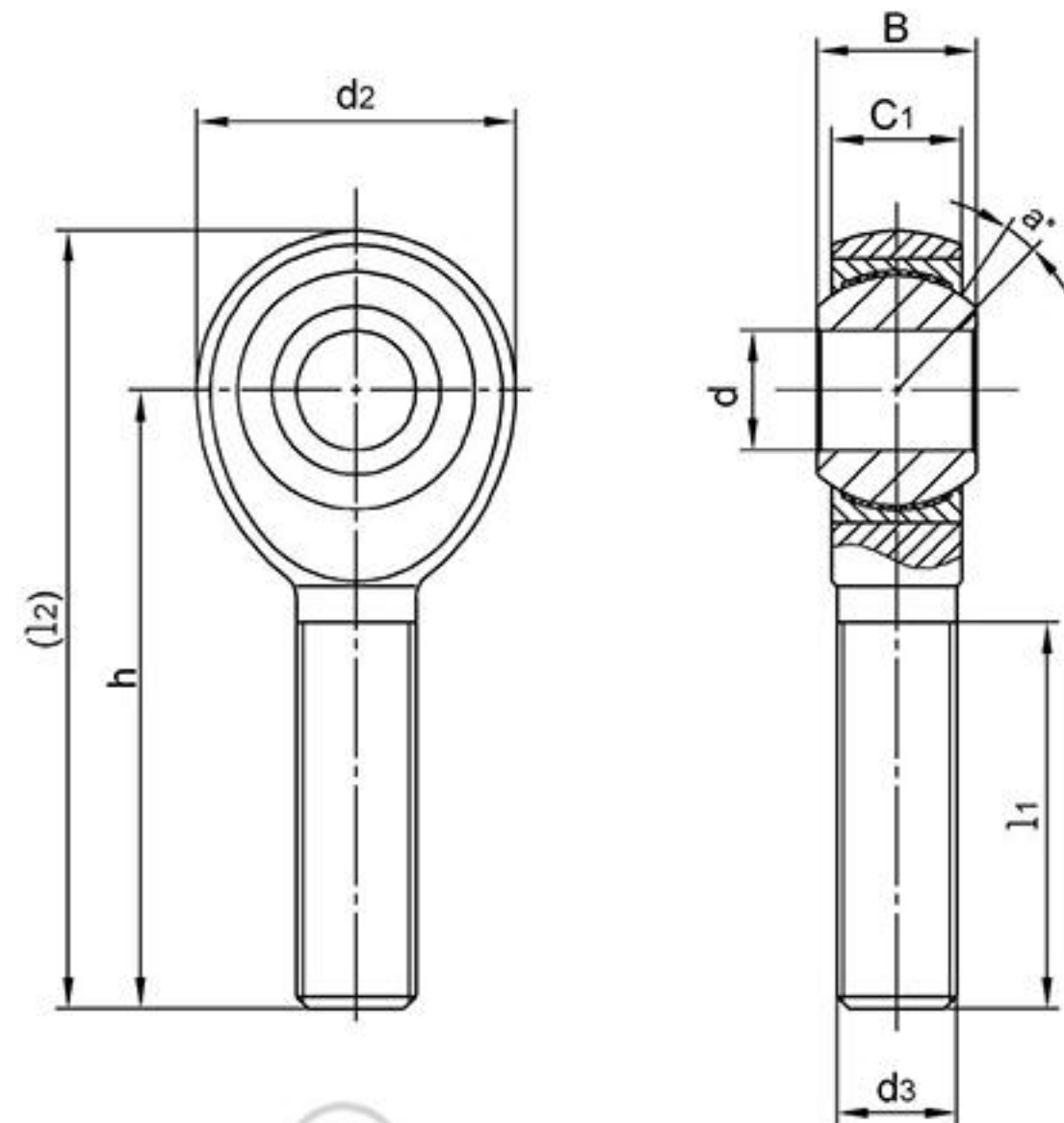
Ball: 440C Stainless steel, heat treated HRC56 min,  
precision ground, polished

Body: 17-4Ph Stainless steel, heat treated

Race: 17-4Ph Stainless steel, heat treated

Liner: PTFE composite or PTFE fabric

Sliding contact surfaces: Steel/PTFE composite  
or Steel/PTFE fabric



Bearing No.	Dimensions(inches)								Ball dia	a° mis. angle	Load ratings (ibs)	weight ≈ kg
	d <sup>+0.0000</sup> / <sub>-0.0005</sub>	B <sup>+0.000</sup> / <sub>-0.002</sub>	C1 <sup>+0.005</sup> / <sub>-0.005</sub>	d2 <sup>+0.010</sup> / <sub>-0.010</sub>	d3	h <sup>+0.010</sup> / <sub>-0.010</sub>	l1 <sup>+0.031</sup> / <sub>-0.031</sub>	l2				
SJM4T	0.2500	0.437	0.337	0.806	1/4-28	1.562	0.968	1.964	0.531	16	4874	0.032
SJM5T	0.3125	0.437	0.327	0.900	5/16-24	1.875	1.187	2.325	0.593	14	7196	0.039
SJM6T	0.3750	0.500	0.416	1.025	3/8-24	1.938	1.187	2.450	0.687	12	8580	0.061
SJM7T	0.4375	0.562	0.452	1.150	7/16-20	2.125	1.281	2.700	0.781	14	12000	0.083
SJM8T	0.5000	0.625	0.515	1.337	1/2-20	2.438	1.468	3.106	0.875	12	19520	0.126
SJM10T	0.6250	0.750	0.577	1.525	5/8-18	2.625	1.562	3.387	1.062	16	21920	0.192
SJM12T	0.7500	0.875	0.640	1.775	3/4-16	2.875	1.687	3.762	1.250	14	29310	0.289

Can supply rod ends with different pitch or accuracy of thread.

For left-hand thread, suffix "L" is added to bearing numbers. eg.: SJML6T 3/8-24L