

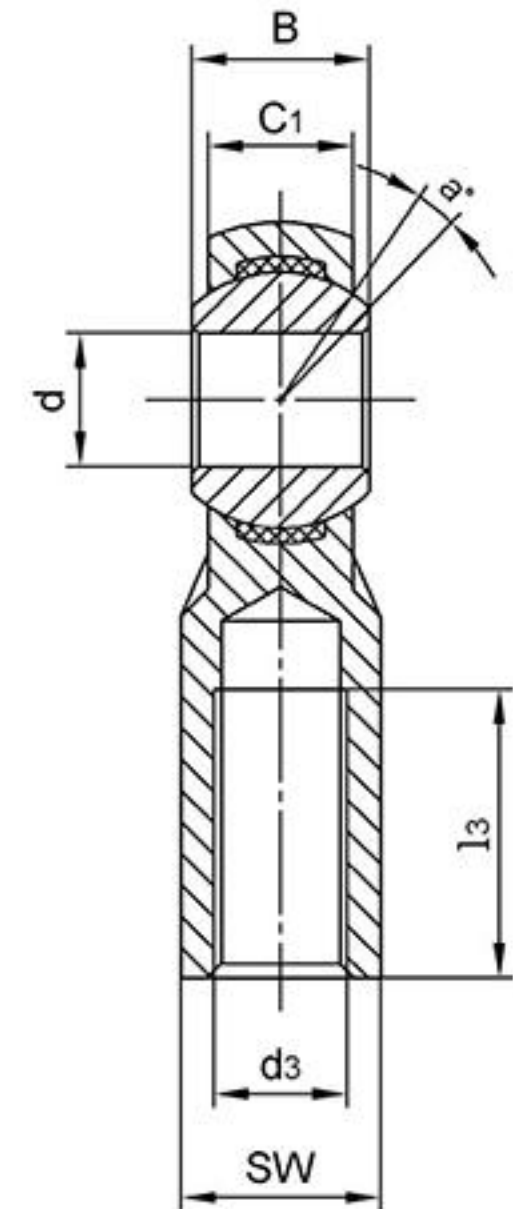
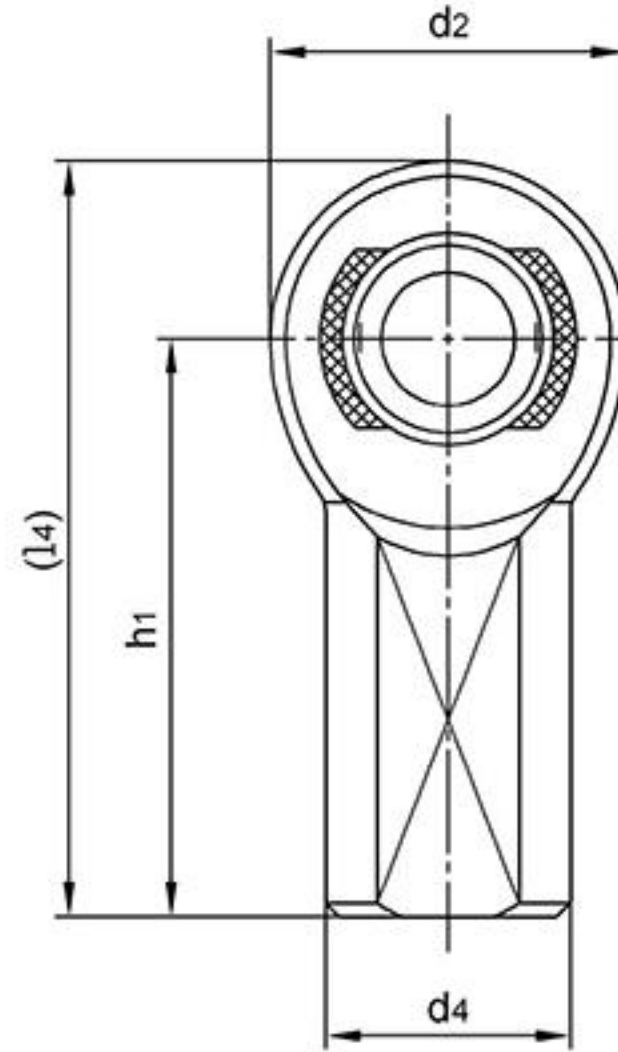
NXF..

Ball: Gcr15 Steel, heat treated, HRC56min;
precision ground, polished,hard
chromium plated

Body: Alloy steel heat treated; zinc plated;

Race: Nylon polymer with PTFE additive

Sliding contact surfaces: Steel/Nylon



Bearing No.	Dimensions(mm/inches)										Ball dia	a° mis. angle	Load ratings (KN)	weight ≈ kg
	d ^{+0.038} / _{-0.012}	B	C1	d2	d3 UNF-2B	h1	l3	(l4)	d4	SW				
NXF3	4.826	7.92	6.35	15.88	10-32	26.97	11.11	34.91	10.31	7.92	11.11	10	16.6	0.018
	0.1900	0.312	0.250	0.625		1.062	0.437	1.375	0.406	0.312	0.437			
NXF4	6.35	9.53	7.14	19.05	1/4-28	33.32	14.27	42.85	11.89	9.52	12.7	13	27.5	0.027
	0.2500	0.375	0.281	0.750		1.312	0.562	1.687	0.468	0.375	0.500			
NXF5	7.938	11.10	8.74	22.23	5/16-24	34.92	15.88	46.03	12.7	11.1	15.88	10	33.9	0.040
	0.3125	0.437	0.344	0.875		1.375	0.625	1.812	0.500	0.437	0.625			
NXF6	9.525	12.7	10.31	25.4	3/8-24	41.28	19.05	53.98	17.45	14.27	18.26	9	42.4	0.063
	0.3750	0.500	0.406	1.000		1.625	0.75	2.125	0.687	0.562	0.719			
NXF7	11.11	14.27	11.1	28.58	7/16-20	46.02	22.22	60.31	19.05	15.88	20.62	11	45.7	0.086
	0.4375	0.562	0.437	1.125		1.812	0.875	2.375	0.750	0.625	0.812			
NXF8	12.7	15.88	12.7	33.32	1/2-20	53.98	25.4	70.64	22.22	19.05	23.8	9	72.2	0.140
	0.5000	0.625	0.500	1.312		2.125	1.000	2.781	0.875	0.750	0.937			
NXF10	15.875	19.05	14.27	38.1	5/8-18	63.5	31.75	82.55	25.4	22.23	28.58	11	79.8	0.204
	0.6250	0.750	0.562	1.500		2.5	1.250	3.250	1.000	0.875	1.125			
NXF12	19.05	22.23	17.45	44.45	3/4-16	73.02	38.1	95.25	28.58	25.4	33.33	10	124.9	0.313
	0.7500	0.875	0.687	1.750		2.875	1.500	3.750	1.125	1.000	1.312			

Can supply rod ends with different pitch or accuracy of thread.

For left-hand thread, suffix "L" is added to bearing numbers. eg.: NXFL12 3/4-16L