

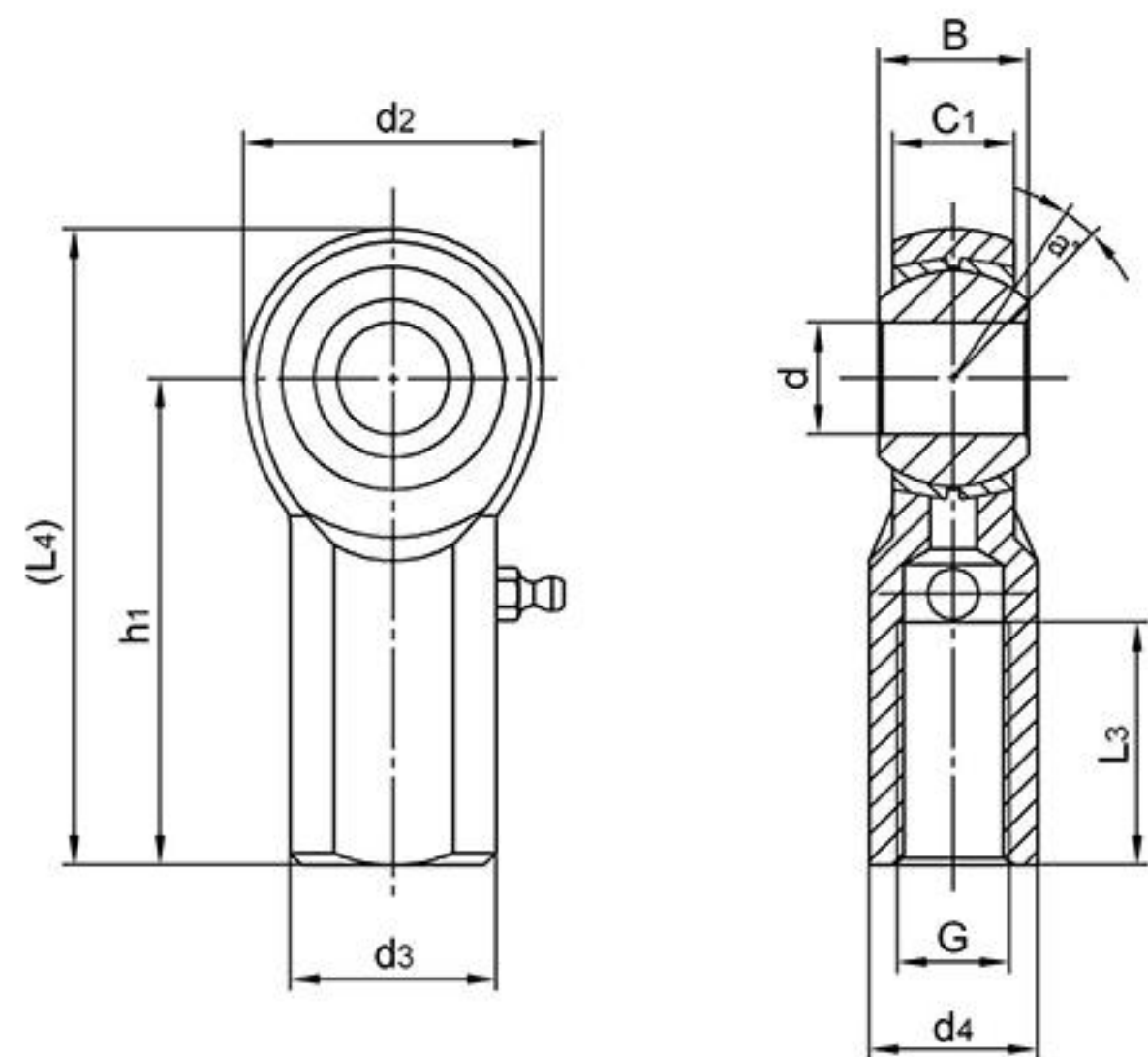
F..

Ball: Gcr15 Steel, heat treated, HRC56min;
precision ground, polished, hard
chromium plated

Body: Carbon steel zinc plated,chromate treated

Race: Brass

Sliding contact surfaces: Steel/Brass



Bearing No.	Dimensions(mm/inches)										Ball dia	a° mis. angle	Load ratings (KN)	weight ≈ kg
	d ^{+0.038} _{-0.012}	B	C1	d2	d3 UNF-2B	h1	L3	(L4)	d4	SW				
F3	4.826	7.92	6.35	15.88	10-32	26.97	11.11	34.91	10.31	7.92	11.11	10	7.6	0.018
	0.1900	0.312	0.250	0.625		1.062	0.437	1.375	0.406	0.312	0.437			
F4	6.35	9.53	7.14	19.05	1/4-28	33.32	14.28	42.85	11.89	9.52	12.7	13	11.3	0.027
	0.2500	0.375	0.281	0.750		1.312	0.562	1.687	0.468	0.375	0.500			
F5	7.938	11.10	8.74	22.23	5/16-24	34.92	15.88	46.03	12.7	11.1	15.88	10	14.5	0.04
	0.3125	0.437	0.344	0.875		1.375	0.625	1.812	0.500	0.437	0.625			
F6	9.525	12.7	10.31	25.4	3/8-24	41.28	19.05	53.98	17.45	14.27	18.26	9	18.5	0.068
	0.3750	0.500	0.406	1.000		1.625	0.750	2.125	0.687	0.562	0.719			
F7	11.112	14.27	11.1	28.58	7/16-20	46.02	22.22	60.3	19.05	15.88	20.62	11	22.3	0.09
	0.4375	0.562	0.437	1.125		1.812	0.875	2.375	0.750	0.625	0.812			
F8	12.7	15.88	12.7	33.32	1/2-20	53.98	25.4	70.64	22.22	19.05	23.8	9	32	0.149
	0.5000	0.625	0.500	1.312		2.125	1.000	2.781	0.875	0.750	0.937			
F10	15.875	19.05	14.27	38.1	5/8-18	63.5	31.75	82.55	25.4	22.22	28.58	11	35.5	0.217
	0.6250	0.750	0.562	1.500		2.5	1.250	3.250	1.000	0.875	1.125			
F12	19.05	22.23	17.45	44.45	3/4-16	73.02	38.1	95.25	28.58	25.4	33.33	10	50.2	0.326
	0.7500	0.875	0.678	1.750		2.875	1.500	3.75	1.125	1.000	1.312			
F16	25.4	34.93	25.4	69.85	5/4-12	104.78	53.98	139.7	41.28	38.1	47.62	14	164.2	0.963
	1.0000	1.375	1.000	2.750		4.125	2.125	5.5	1.625	1.500	1.875			

Note: For grease fittings add " Z" to suffix example: F6Z

Can supply rod ends with different pitch or accuracy of thread.

For left-hand thread, suffix"L" is added to bearing numbers. eg.: FL12 3/4-16L

