

CF..TY

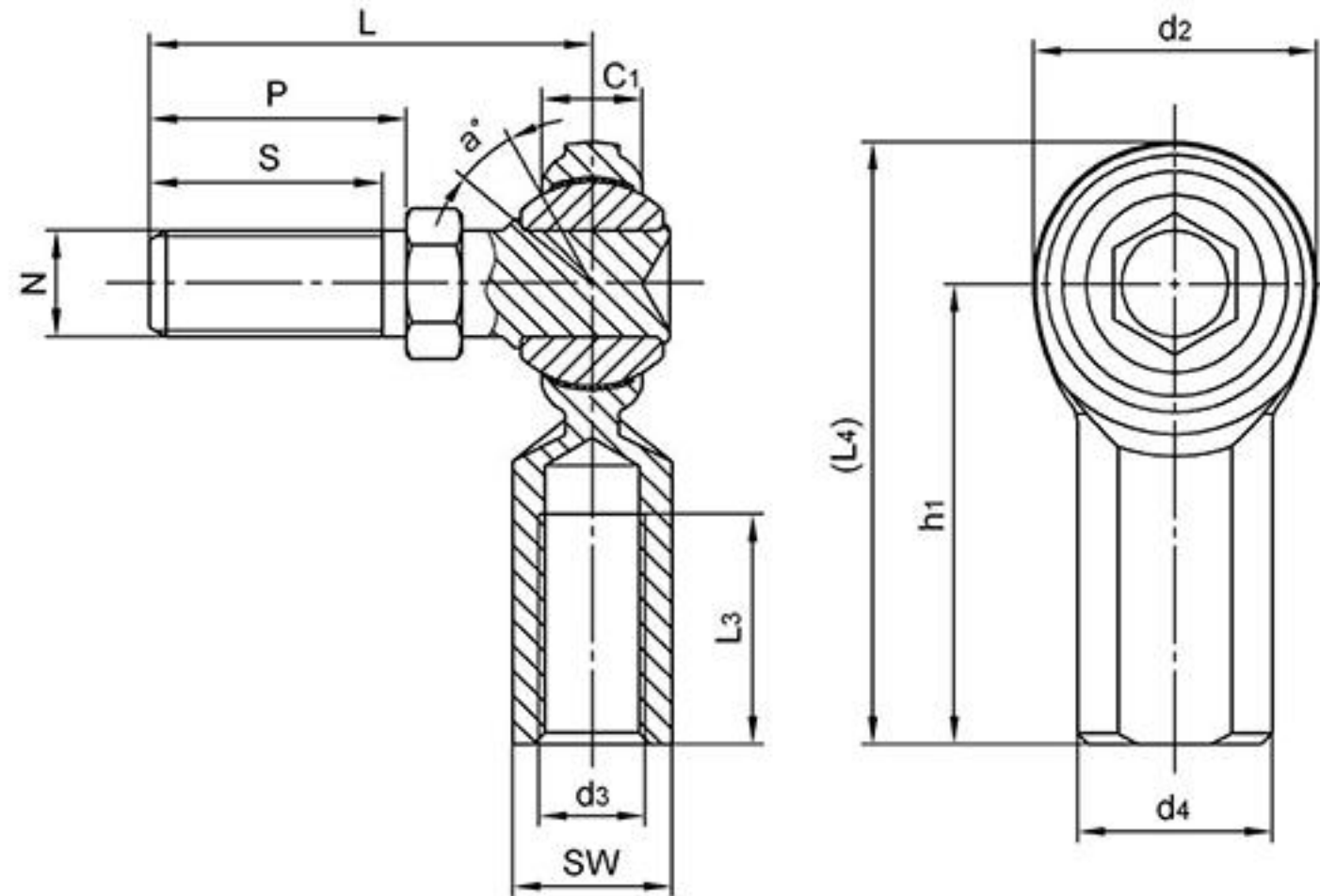
Ball: Gcr15 Steel, heat treated, HRC56min;
precision ground, polished hard
chromium plated

Body: Carbon steel zinc plated,chromate treated

Liner: PTFE composite or PTFE fabric

Stud: Low carbon steel, zinc plated

Sliding contact surfaces: Steel/PTFE Composite
or Steel/PTFE fabric



Bearing No.	Dimensions(mm/inches)												Ball dia	a° mis. angle	Load ratings (KN)	weight ≈ kg
	d2	C1	d3 UNF-2B	d4	SW	h1	L3	(L4)	N UNF-2A	S	P	L				
CF3TY	15.88	5.94	10-32	10.31	7.92	26.97	11.1	34.91	10-32	11.1	12.7	25.8	11.11	22	4.4	0.022
	0.625	0.234		0.406	0.312	1.062	0.437	1.375		0.437	0.500	1.016	7/16			
CF4TY	19.05	6.35	1/4-28	11.89	9.52	33.32	14.27	42.85	1/4-28	12.7	14.27	26.18	12.7	20	8.2	0.027
	0.750	0.250		0.468	0.375	1.312	0.562	1.687		0.500	0.562	1.031	1/2			
CF5TY	22.23	7.92	5/16-24	12.7	11.1	34.92	15.88	46.03	5/16-24	15.06	17.45	30.96	15.88	21	10.2	0.048
	0.875	0.312		0.500	0.437	1.375	0.625	1.812		0.593	0.687	1.219	5/8			
CF6TY	25.4	9.11	3/8-24	17.45	14.27	41.28	19.05	53.98	3/8-24	20.62	23	39.67	18.26	23	14	0.077
	1.000	0.359		0.687	0.562	1.625	0.750	2.125		0.812	0.906	1.562	23/32			
CF7TY	28.58	10.31	7/16-20	19.05	15.88	46.02	22.22	60.3	7/16-20	23.8	26.97	44.45	20.62	22	17.6	0.122
	1.125	0.406		0.750	0.625	1.812	0.875	2.375		0.937	1.062	1.750	13/16			
CF8TY	33.33	11.5	1/2-20	22.22	19.05	53.98	25.4	70.64	1/2-20	25.4	28.58	50.8	23.8	24	23.7	0.181
	1.312	0.453		0.875	0.750	2.125	1.000	2.781		1.000	1.125	2.000	15/16			
CF10TY	38.1	12.3	5/8-18	25.4	22.22	63.5	31.75	82.55	5/8-18	34.93	38.1	63.5	28.58	26	25.7	0.308
	1.500	0.484		1.000	0.875	2.5	1.250	3.250		1.375	1.500	2.500	9/8			
CF12TY	44.45	15.06	3/4-16	28.58	25.4	73.03	38.1	95.25	3/4-16	41.28	46.02	76.2	33.33	23	42.4	0.503
	1.750	0.593		1.125	1.000	2.875	1.500	3.75		1.625	1.812	3.000	21/16			

Can supply rod ends with different pitch or accuracy of thread.

For left-hand thread, suffix "L" is added to bearing numbers. eg.: CFL6TY 3/8-24L