

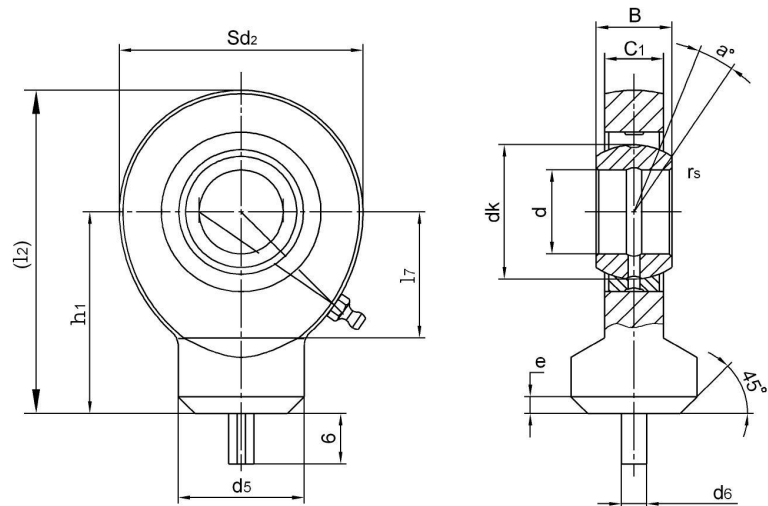
SK..E & SK..ES

Body: weldable steel, with dowel pin on shanks,

SK..E: Mounted GE..E type of radial spherical plain bearings.

SK..ES: Mounted with GE..ES type of radial spherical plain bearings.

Sliding contact surfaces: Steel/Steel



Bearing No.	Dimensions(mm)											a° mis. angle	Load ratings (KN)		Weight ≈ kg
	d	B	dk	C1	d2	d5	d6	h1	e	l7	(l2)		Dynamic	Static	
SK10E ¹⁾	10	9	16	7	29	15	3	24	2	15	38.5	12	8.1	15	0.041
SK12E ¹⁾	12	10	18	8	34	17.5	3	27	2	18	44	10	10	21	0.066
SK15ES ²⁾	15	12	22	10	40	21	4	31	2.5	20	51	8	16	32	0.12
SK17ES ²⁾	17	14	25	11	46	24	4	35	2.5	23	58	10	21	40	0.19
SK20ES	20	16	29	13	53	27.5	4	38	2.5	27	64.5	9	30	54	0.26
SK25ES	25	20	35.5	17	64	33.5	4	45	3	32	77	7	48	72	0.45
SK30ES	30	22	40.7	19	73	40	4	51	3	37	87.5	6	62	95	0.067
SK35ES	35	25	47	21	82	47	4	61	3	42	102	6	79	125	1.02
SK40ES	40	28	53	23	92	52	4	69	4	48	115	7	99	156	1.04
SK45ES	45	32	60	27	102	58	6	77	5	52	128	7	127	208	1.93
SK50ES	50	35	66	30	112	62	6	88	5	60	144	6	156	250	2.68
SK60ES	60	44	80	38	135	70	6	100	5	75	167.5	6	245	390	4.6
SK70ES	70	49	92	42	160	80	6	115	6	87	195	6	313	510	7.0
SK80ES	80	55	105	47	180	95	6	141	6	100	231	6	400	620	11.0

Can not be relubricated.

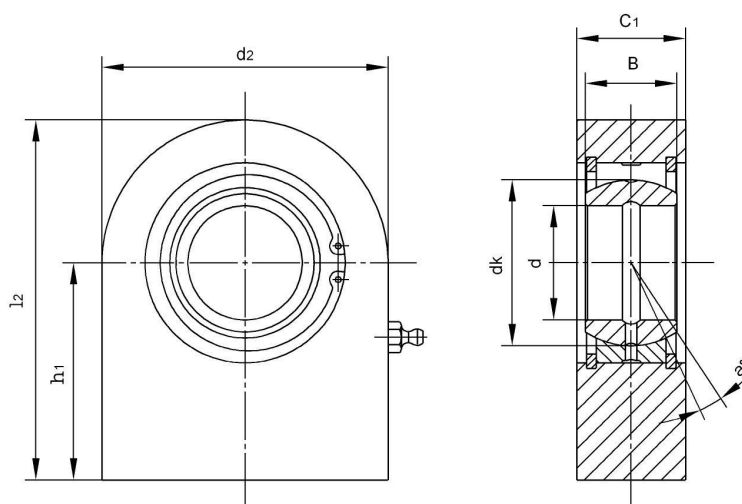
Can only be relubricated through the rod end housing.

SF..ES

Body: weldable steel, with dowel pin on shanks,

SF..ES: Mounted with GE..ES type of radial spherical plain bearings.

Sliding contact surfaces: Steel/Steel

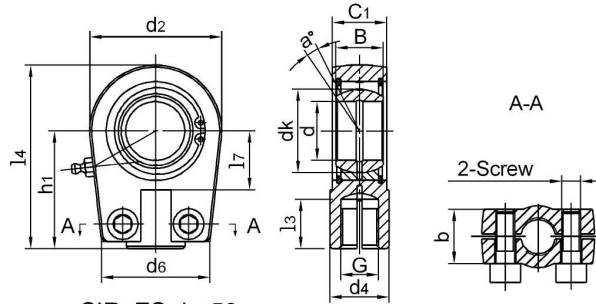


Bearing No.	Dimensions(mm)							a° mis. angle	Load ratings (KN)		Weight ≈ kg
	d	B	dk	C1	d2	h1	(l2)		Dynamic	Static	
SF20ES	20	16	29	19	50	38	63	9	30	67	0.36
SF25ES	25	20	35.5	23	55	45	72.5	7	48	69	0.53
SF30ES	30	22	40.7	28	65	51	83.5	6	62	118	0.85
SF35ES	35	25	47	30	83	61	102.5	6	79	196	1.5
SF40ES	40	28	53	35	100	69	119	7	99	305	2.42
SF45ES	45	32	60	40	110	77	132	7	127	386	3.39
SF50ES	50	35	66	40	123	88	149.5	6	156	441	4.24
SF60ES	60	44	80	50	140	100	170	6	245	570	7.10
SF70ES	70	49	92	55	164	115	197	6	313	724	10.7
SF80ES	80	55	105	60	180	141	231	6	400	804	15.1
SF90ES	90	60	115	65	226	150	263	5	488	1340	23.4
SF100ES	100	70	130	70	250	170	295	7	607	1516	33.1
SF110ES	110	70	140	80	295	185	332.5	6	654	2340	48.5
SF120ES	120	85	160	90	360	210	390	6	950	3210	79.5



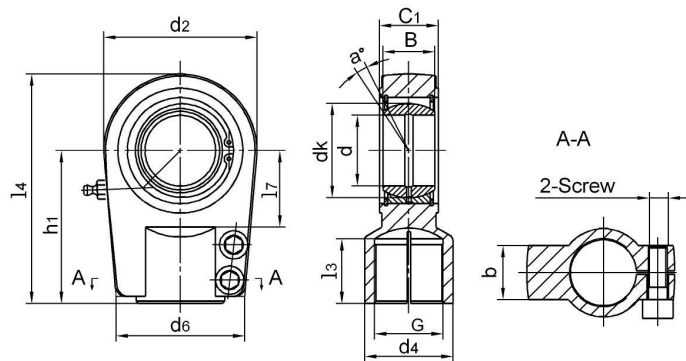
SIR..ES

Body: Mild steel
 SIR..ES: Mounted with GE..ES type of radial spherical plain bearings.
 Sliding contact surfaces: Steel/Steel



SIR..ES $d \leq 50\text{mm}$

Body: Mild steel
 SIR..ES: Mounted with GE..ES type of radial spherical plain bearings.
 Sliding contact surfaces: Steel/Steel



SIR..ES $d > 50\text{mm}$

Bearing No.	Dimensions(mm)												a° mis. angle	Load ratings (KN)		Screw	Weight ≈ kg	
	d	B	dk	C1	d2	G-6H	h1	l3	l4	l7	d4	d6		b	Dynamic			Static
SIR20ES	20	16	29	19	56	M16x1.5	50	17	78	25	25	46	17	9	30	81	M8x16	0.44
SIR25ES	25	20	35.5	23	56	M16x1.5	50	17	78	25	25	46	21	7	48	72	M8x20	0.47
SIR30ES	30	22	40.7	28	64	M22x1.5	60	23	92	30	32	50	26	6	62	106	M8x25	0.77
SIR35ES	35	25	47	30	78	M28x1.5	70	29	109	38	40	66	28	6	79	153	M10x30	1.24
SIR40ES	40	28	53	35	94	M35x1.5	85	36	132	45	49	76	33	7	99	250	M10x35	2.12
SIR50ES	50	35	66	40	116	M45x1.5	105	46	163	55	61	90	37	7	156	365	M12x40	3.74
SIR60ES	60	44	80	50	130	M58x1.5	130	59	195	65	75	120	46	6	245	400	M16x45	6.49
SIR70ES	70	49	92	55	154	M65x1.5	150	66	227	75	86	130	51	6	313	540	M16x50	9.88
SIR80ES	80	55	105	60	176	M80x2	170	81	258	80	105	160	55	6	400	670	M20x55	14.2
SIR90ES	90	60	115	65	206	M100x2	210	101	313	90	124	180	60	5	488	980	M20x60	20.0
SIR100ES	100	70	130	70	231	M110x2	235	111	350.5	105	138	200	65	7	607	1120	M24x65	27.5
SIR110ES	110	70	140	80	266	M120x3	265	125	398	115	152	220	74	6	654	1700	M24x80	45.6
SIR120ES	120	85	160	90	340	M130x3	310	135	480	140	172	257	84	6	950	2900	M27x85	72

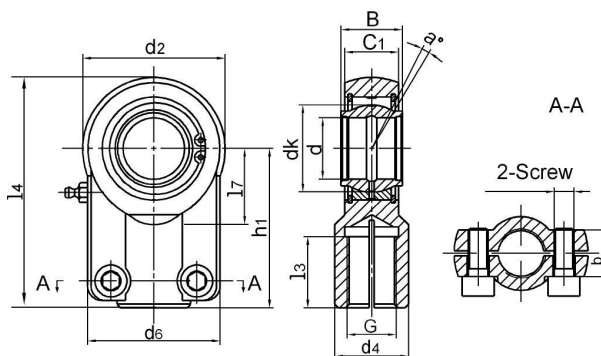
Can supply rod ends with maintenance-free spherical bearing.
 for left-hand thread, suffix " L " is added to bearings number
 and thread sign, e.g.SILR40ES M35x1.5L-6H

SIGEW..ES

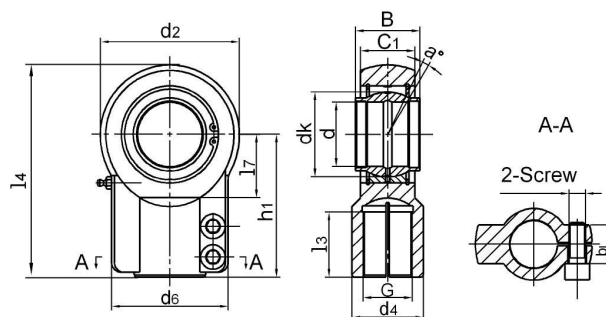
Body: Mild steel

SIGEW..ES: Mounted with GEEW..ES type of radial spherical plain bearings.

Sliding contact surfaces: Steel/Steel



SIGEW..ES $d \leq 50\text{mm}$



SIGEW..ES $d > 50\text{mm}$

Bearing No.	Dimensions(mm)													a° mis. angle	Load ratings (kN)		Screw	Weight ≈ kg
	d	B	dk	C1	d2	G-6H	h1	l3	(l4)	l7	d4	d6	b		Dynamic	Static		
SIGEW12ES ¹⁾	12	12	18	11	32	M12x1.25	38	17	54	14	16	32	11	4	10	24.5	M5x12	0.11
SIGEW16ES ²⁾	16	16	23	13	40	M14x1.5	44	19	64	20	21	40	13	4	17	36.5	M6x12	0.20
SIGEW20ES	20	20	29	17	47	M16x1.5	52	23	75.5	22	25	47	17	4	30	48	M8x20	0.35
SIGEW25ES	25	25	35.5	22	58	M20x1.5	65	29	94	27	30	54	19	4	48	78	M8x20	0.62
SIGEW32ES	32	32	43	28	71	M27x2	80	37	115.5	32	38	66	22	4	65	114	M10x30	1.15
SIGEW40ES	40	40	53	33	90	M33x2	97	46	142	41	47	80	26	4	99	204	M12x35	2.18
SIGEW50ES	50	50	66	41	109	M42x2	120	57	174.5	50	58	96	32	4	156	310	M16x40	3.96
SIGEW63ES	63	63	83	53	136	M48x2	140	64	208	62	70	114	38	4	253	430	M16x40	6.8
SIGEW70ES	70	70	92	57	155	M56x2	160	76	237.5	70	80	135	42	4	313	540	M16x40	9.6
SIGEW80ES	80	80	105	67	170	M64x3	180	86	265	78	90	148	48	4	400	695	M20x50	13.0
SIGEW90ES	90	90	115	72	185	M72x3	195	91	287.5	85	100	160	52	4	488	750	M20x60	19.1
SIGEW100ES	100	100	130	85	211	M80x3	210	96	315.5	98	110	178	62	4	607	1060	M24x60	25.0
SIGEW110ES	110	110	140	88	235	M90x3	235	106	352.5	105	125	190	62	4	654	1200	M24x60	32.0
SIGEW125ES	125	125	160	103	265	M100x3	260	113	392.5	120	135	200	72	4	950	1430	M24x70	46.0
SIGEW160ES	160	160	200	130	326	M125x4	310	126	473	150	165	250	82	4	1360	2200	M24x80	82.5
SIGEW200ES	200	200	250	162	418	M160x4	390	161	599	195	215	320	102	4	2120	3650	M30x100	168

¹⁾ Can only be relubricated through the rod end housing

²⁾ Can supply rod ends with maintenance-free spherical bearing.
for left-hand thread, suffix " L " is added to bearings number
and thread sign, e.g. SILGEW40ES M33x2L-6H

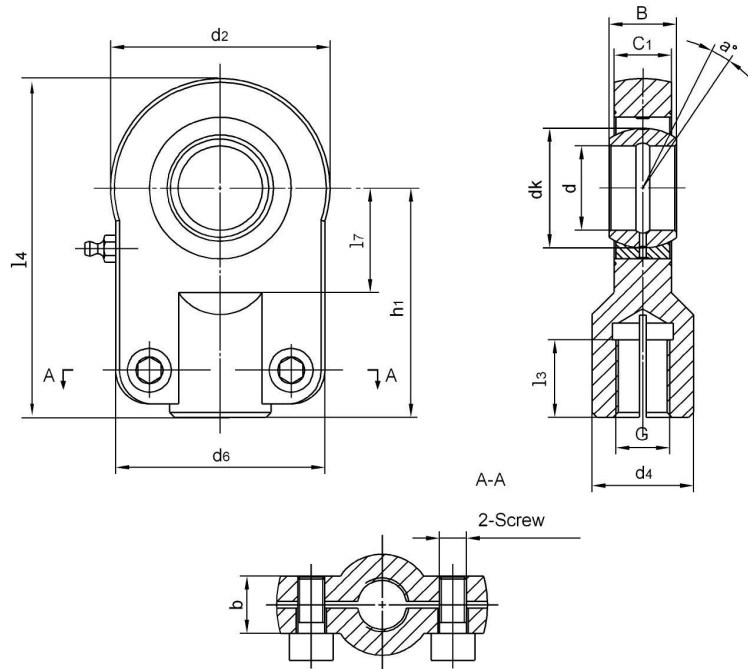


SIQ..ES

Body: Mild steel

SIQ..ES: Mounted with GE..ES type of radial spherical plain bearings.

Sliding contact surfaces: Steel/Steel



Bearing No	Dimensions(mm)													a° mis. angle	Load ratings (KN)		Screw	Weight ≈ kg
	d	B	dk	C1	d2	G-6H	h1	l3	l4	l7	d4	d6	b		Dynamic	Static		
SIQ12ES ¹⁾	12	10	18	8	35	M10x1.25	42	15	59.5	16	17	35	13	10	10	17	M6x12	0.12
SIQ16ES ²⁾	16	14	25	11	45	M12x1.25	48	17	70.5	20	21	45	13	10	21	28.5	M6x12	0.22
SIQ20ES	20	16	29	13	55	M16x1.5	58	19	85.5	25	25	55	17	9	30	42.5	M8x16	0.43
SIQ25ES	25	20	35.5	17	65	M16x1.5	68	23	100.5	31	30	62	17	7	48	67	M8x16	0.67
SIQ30ES	30	22	40.7	19	80	M22x1.5	85	29	125	35	36	77	19	6	62	108	M10x20	1.25
SIQ40ES	40	28	53	23	100	M35x1.5	105	37	165	45	45	90	23	7	99	156	M10x25	2.16
SIQ50ES	50	35	66	30	120	M45x1.5	130	46	190	58	55	105	30	6	156	245	M12x30	3.90
SIQ60ES	60	44	80	38	160	M58x1.5	150	57	230	68	68	134	38	6	245	380	M16x40	7.15
SIQ80ES	80	55	105	47	205	M80x2	185	64	287.5	82	90	156	47	6	400	585	M20x50	15
SIQ100ES	100	70	130	55	240	M110x2	240	86	360	116	110	190	55	7	607	865	M24x60	27.3

¹⁾Can not be relubricated

²⁾Can only be relubricated through the rod end housing
Can supply rod ends with maintenance-free spherical bearing.
for left-hand thread, suffix " L " is added to bearings number
and thread sign, e.g.SILQ40ES M27x2L-6H