

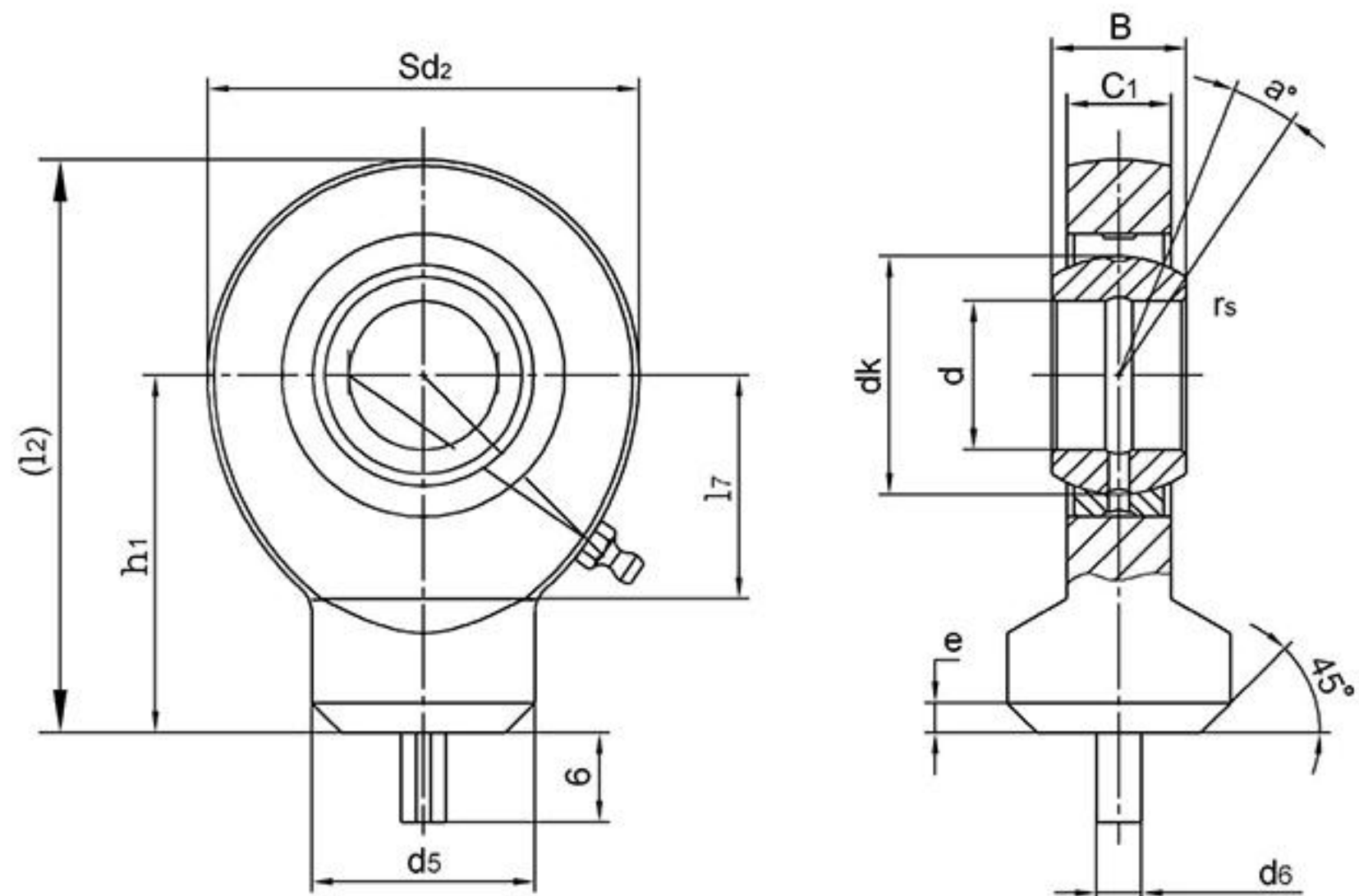
## SK..E & SK..ES

Body: weldable steel, with dowel pin on shanks,

SK..E: Mounted GE..E type of radial spherical plain bearings.

SK..ES: Mounted with GE..ES type of radial spherical plain bearings.

Sliding contact surfaces: Steel/Steel



| Bearing No.          | Dimensions(mm) |    |      |    |     |      |    |     |     |     |       | a°<br>mis.<br>angle | Load ratings<br>(KN) |        | Weight<br>≈ kg |
|----------------------|----------------|----|------|----|-----|------|----|-----|-----|-----|-------|---------------------|----------------------|--------|----------------|
|                      | d              | B  | dk   | C1 | d2  | d5   | d6 | h1  | e   | l7  | (l2)  |                     | Dynamic              | Static |                |
| SK10E <sup>1)</sup>  | 10             | 9  | 16   | 7  | 29  | 15   | 3  | 24  | 2   | 15  | 38.5  | 12                  | 8.1                  | 15     | 0.041          |
| SK12E <sup>1)</sup>  | 12             | 10 | 18   | 8  | 34  | 17.5 | 3  | 27  | 2   | 18  | 44    | 10                  | 10                   | 21     | 0.066          |
| SK15ES <sup>2)</sup> | 15             | 12 | 22   | 10 | 40  | 21   | 4  | 31  | 2.5 | 20  | 51    | 8                   | 16                   | 32     | 0.12           |
| SK17ES <sup>2)</sup> | 17             | 14 | 25   | 11 | 46  | 24   | 4  | 35  | 2.5 | 23  | 58    | 10                  | 21                   | 40     | 0.19           |
| SK20ES               | 20             | 16 | 29   | 13 | 53  | 27.5 | 4  | 38  | 2.5 | 27  | 64.5  | 9                   | 30                   | 54     | 0.26           |
| SK25ES               | 25             | 20 | 35.5 | 17 | 64  | 33.5 | 4  | 45  | 3   | 32  | 77    | 7                   | 48                   | 72     | 0.45           |
| SK30ES               | 30             | 22 | 40.7 | 19 | 73  | 40   | 4  | 51  | 3   | 37  | 87.5  | 6                   | 62                   | 95     | 0.67           |
| SK35ES               | 35             | 25 | 47   | 21 | 82  | 47   | 4  | 61  | 3   | 42  | 102   | 6                   | 79                   | 125    | 1.02           |
| SK40ES               | 40             | 28 | 53   | 23 | 92  | 52   | 4  | 69  | 4   | 48  | 115   | 7                   | 99                   | 156    | 1.04           |
| SK45ES               | 45             | 32 | 60   | 27 | 102 | 58   | 6  | 77  | 5   | 52  | 128   | 7                   | 127                  | 208    | 1.93           |
| SK50ES               | 50             | 35 | 66   | 30 | 112 | 62   | 6  | 88  | 5   | 60  | 144   | 6                   | 156                  | 250    | 2.68           |
| SK60ES               | 60             | 44 | 80   | 38 | 135 | 70   | 6  | 100 | 5   | 75  | 167.5 | 6                   | 245                  | 390    | 4.6            |
| SK70ES               | 70             | 49 | 92   | 42 | 160 | 80   | 6  | 115 | 6   | 87  | 195   | 6                   | 313                  | 510    | 7.0            |
| SK80ES               | 80             | 55 | 105  | 47 | 180 | 95   | 6  | 141 | 6   | 100 | 231   | 6                   | 400                  | 620    | 11.0           |

Can not be relubricated.

Can only be relubricated through the rod end housing.