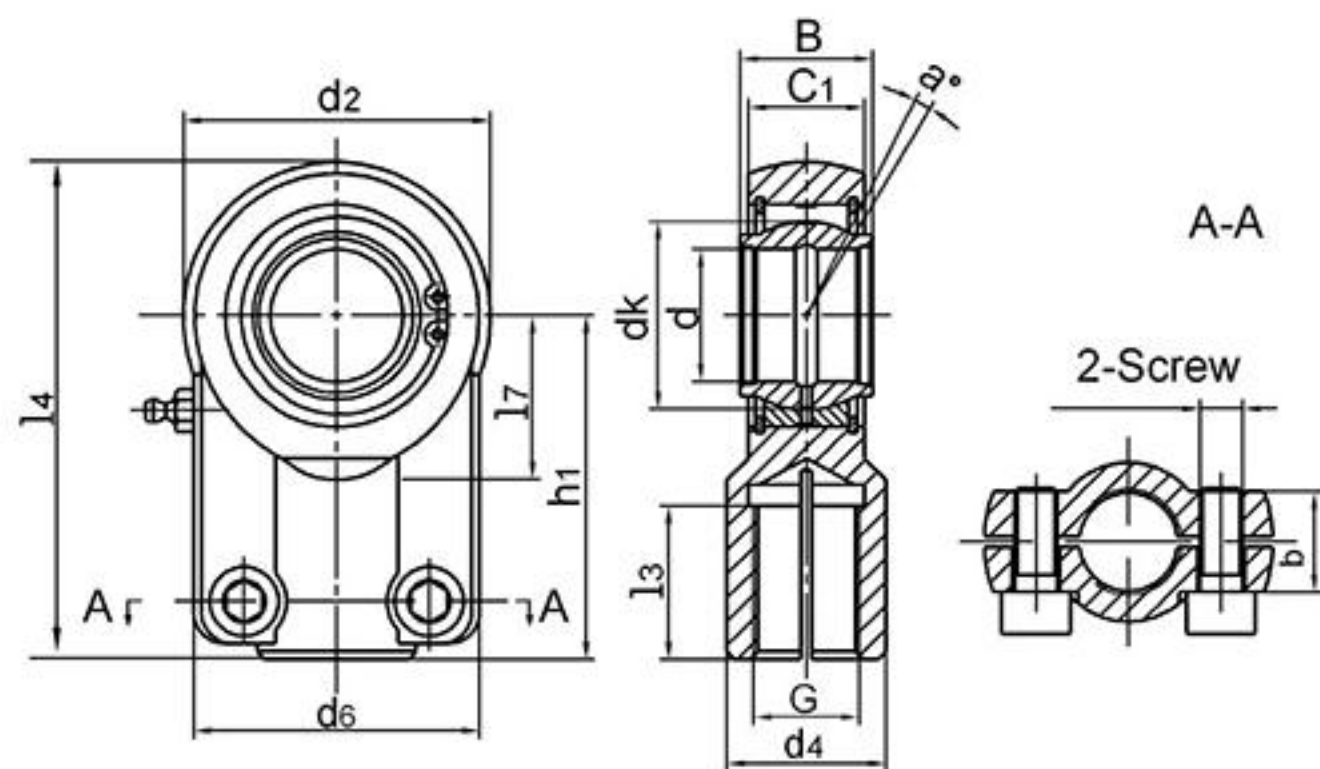


SIGEW..ES

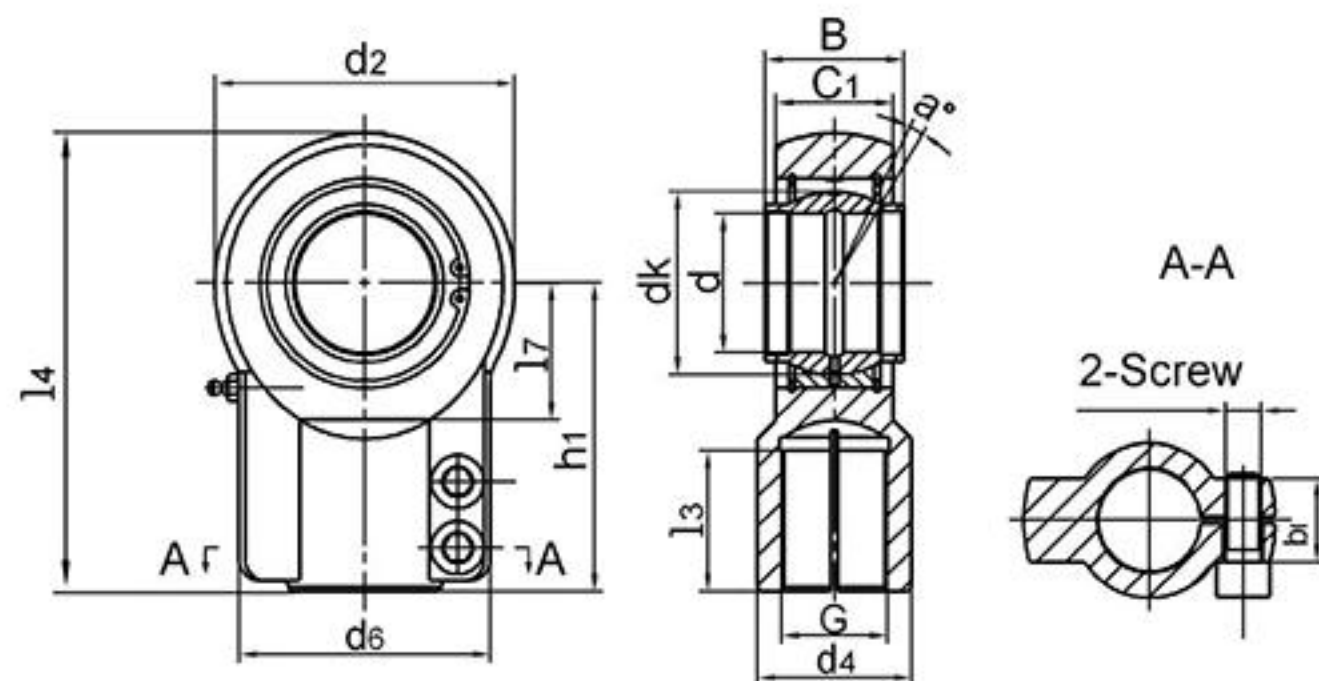
Body: Mild steel

SIGEW..ES: Mounted with GEEW..ES type of radial spherical plain bearings.

Sliding contact surfaces: Steel/Steel



SIGEW..ES $d \leq 50\text{mm}$



SIGEW..ES $d > 50\text{mm}$

Bearing No.	Dimensions(mm)													a° mis. angle	Load ratings (KN)		Screw	Weight ≈ kg
	d	B	dk	C1	d2	G-6H	h1	l3	(l4)	l7	d4	d6	b		Dynamic	Static		
SIGEW12ES ¹⁾	12	12	18	11	32	M12x1.25	38	17	54	14	16	32	11	4	10	24.5	M5x12	0.11
SIGEW16ES ²⁾	16	16	23	13	40	M14x1.5	44	19	64	20	21	40	13	4	17	36.5	M6x12	0.20
SIGEW20ES	20	20	29	17	47	M16x1.5	52	23	75.5	22	25	47	17	4	30	48	M8x20	0.35
SIGEW25ES	25	25	35.5	22	58	M20x1.5	65	29	94	27	30	54	19	4	48	78	M8x20	0.62
SIGEW32ES	32	32	43	28	71	M27x2	80	37	115.5	32	38	66	22	4	65	114	M10x30	1.15
SIGEW40ES	40	40	53	33	90	M33x2	97	46	142	41	47	80	26	4	99	204	M12x35	2.18
SIGEW50ES	50	50	66	41	109	M42x2	120	57	174.5	50	58	96	32	4	156	310	M16x40	3.96
SIGEW63ES	63	63	83	53	136	M48x2	140	64	208	62	70	114	38	4	253	430	M16x40	6.8
SIGEW70ES	70	70	92	57	155	M56x2	160	76	237.5	70	80	135	42	4	313	540	M16x40	9.6
SIGEW80ES	80	80	105	67	170	M64x3	180	86	265	78	90	148	48	4	400	695	M20x50	13.0
SIGEW90ES	90	90	115	72	185	M72x3	195	91	287.5	85	100	160	52	4	488	750	M20x60	19.1
SIGEW100ES	100	100	130	85	211	M80x3	210	96	315.5	98	110	178	62	4	607	1060	M24x60	25.0
SIGEW110ES	110	110	140	88	235	M90x3	235	106	352.5	105	125	190	62	4	654	1200	M24x60	32.0
SIGEW125ES	125	125	160	103	265	M100x3	260	113	392.5	120	135	200	72	4	950	1430	M24x70	46.0
SIGEW160ES	160	160	200	130	326	M125x4	310	126	473	150	165	250	82	4	1360	2200	M24x80	82.5
SIGEW200ES	200	200	250	162	418	M160x4	390	161	599	195	215	320	102	4	2120	3650	M30x100	168

¹⁾ Can only be relubricated through the rod end housing

²⁾ Can supply rod ends with maintenance-free spherical bearing.
for left-hand thread, suffix " L " is added to bearings number
and thread sign, e.g. SIGEW40ES M33x2L-6H