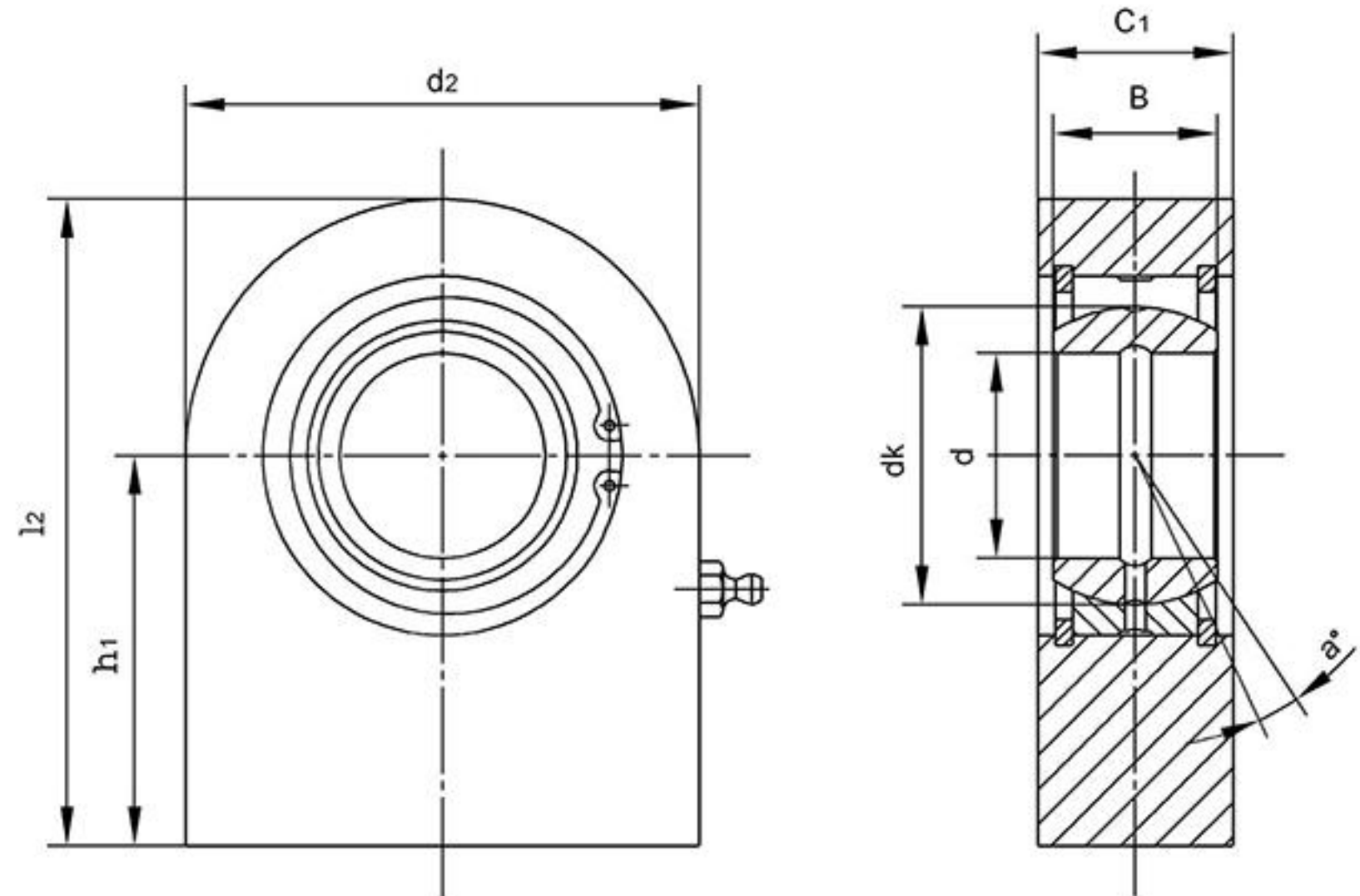


SF..ES

Body: weldable steel, with dowel pin on shanks,

SF..ES: Mounted with GE..ES type of radial spherical plain bearings.

Sliding contact surfaces: Steel/Steel



Bearing No.	Dimensions(mm)							a° mis. angle	Load ratings (KN)		Weight ≈ kg
	d	B	dk	C1	d2	h1	(l2)		Dynamic	Static	
SF20ES	20	16	29	19	50	38	63	9	30	67	0.36
SF25ES	25	20	35.5	23	55	45	72.5	7	48	69	0.53
SF30ES	30	22	40.7	28	65	51	83.5	6	62	118	0.85
SF35ES	35	25	47	30	83	61	102.5	6	79	196	1.5
SF40ES	40	28	53	35	100	69	119	7	99	305	2.42
SF45ES	45	32	60	40	110	77	132	7	127	386	3.39
SF50ES	50	35	66	40	123	88	149.5	6	156	441	4.24
SF60ES	60	44	80	50	140	100	170	6	245	570	7.10
SF70ES	70	49	92	55	164	115	197	6	313	724	10.7
SF80ES	80	55	105	60	180	141	231	6	400	804	15.1
SF90ES	90	60	115	65	226	150	263	5	488	1340	23.4
SF100ES	100	70	130	70	250	170	295	7	607	1516	33.1
SF110ES	110	70	140	80	295	185	332.5	6	654	2340	48.5
SF120ES	120	85	160	90	360	210	390	6	950	3210	79.5

