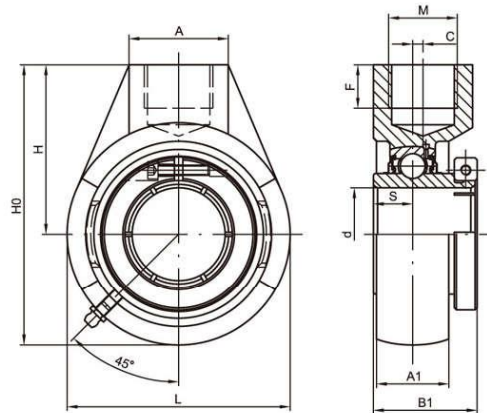


Hanger Units **LDK**[®]

UEHA Standard duty, Wider inner ring bearing, Concentric locking



Unit No.	Shaft Dia		Dimensions(mm)										Weight (kg)
	d		L	H ₀	H	A	M(in)	F	C	A ₁	B ₁	S	
	(in)	(mm)											
UEHA204 204-12	3/4	20	64	96	64	40	G3/4	19	0	21	33	12.7	0.77
UEHA205 205-14 205-15 205-16	7/8 15/16 1	25	78	103	64	40	G3/4	19	0	24	35.4	14.3	0.95
UEHA206 206-17 206-18 206-19 206-20	1-1/16 1-1/8 1-3/16 1-1/4	30	78	103	64	40	G3/4	19	0	28	39.8	15.9	1.03
UEHA207 207-20 207-21 207-22 207-23	1-1/4 1-5/16 1-3/8 1-7/16	35	92	116	70	40	G3/4	19	0	30	43.9	17.5	1.38
UEHA208 208-24 208-25	1-1/2 1-9/16	40	100	123	73	40	G3/4	19	2	33	50.2	19.0	1.54
UEHA209 209-26 209-27 209-28	1-5/8 1-11/16 1-3/4	45	108	136	82	48	G1	21	5	35	50.2	19.0	2.35
UEHA210 210-30 210-31 210-32	1-7/8 1-15/16 2	50	119	142	83	48	G1	21	5	37	52.6	19.0	2.56
UEHA211 211-32 211-34 211-35	2 2-1/8 2-3/16	55	126	150	87	60	G5/4	25	7	38	56.6	22.2	3.12
UEHA212 212-36 212-38 212-39	2-1/4 2-3/8 2-7/16	60	142	173	102	60	G5/4	28	9	42	66.6	25.4	4.47