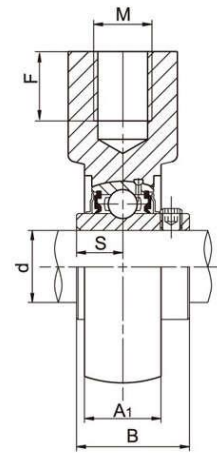
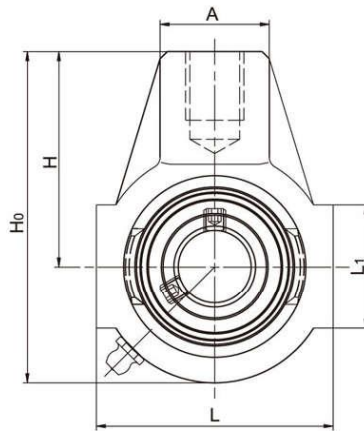


LDK[®] Hanger Units

UCHE Standard duty, Wider inner ring bearing, Setscrew locking



Unit No.	Shaft Dia		Dimensions(mm)										Weight (kg)
	d		L	Ho	H	A	M	F	L ₁	A ₁	B	S	
	(in)	(mm)											
UCHE201 201-8	1/2	12	65	91	58	30	M16	21	38	24	31	12.7	0.61
UCHE202 202-9 202-10	9/16 5/8	15	65	91	58	30	M16	21	38	24	31	12.7	0.61
UCHE203 203-11	11/16	17	65	91	58	30	M16	21	38	24	31	12.7	0.61
UCHE204 204-12	3/4	20	65	91	58	30	M16	21	38	24	31	12.7	0.61
UCHE205 205-14 205-15 205-16	7/8 15/16 1	25	70	99	64	35	M20	22	38	24	34.1	14.3	0.79
UCHE206 206-17 206-18 206-19 206-20	1-11/16 1-1/8 1-3/16 1-1/4	30	85	114	72	40	M24	24	40	32	38.1	15.9	1.23
UCHE207 207-20 207-21 207-22 207-23	1-1/4 1-5/16 1-3/8 1-7/16	35	90	122	76	40	M24	24	48	30	42.9	17.5	1.44
UCHE208 208-24 208-25	1-1/2 1-9/16	40	101	135	85	40	M24	24	45	33	49.2	19	1.82
UCHE209 209-26 209-27 209-28	1-5/8 1-11/16 1-3/4	45	110	145	90	40	M24	24	46	40	49.2	19	2.05
UCHE210 210-30 210-31 210-32	1-7/8 1-15/16 2	50	110	145	90	40	M24	24	46	40	51.6	19	2.13