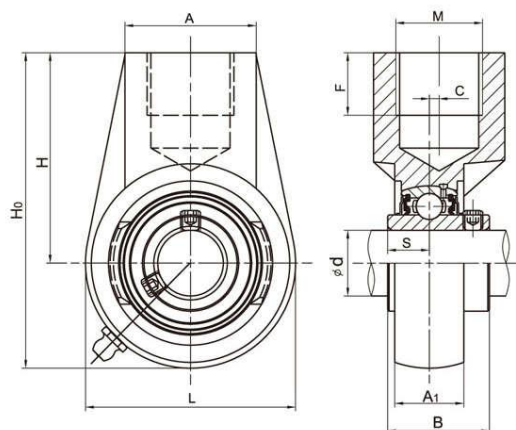


# LDK<sup>®</sup> Hanger Units

UCHA Standard duty,Wider inner ring bearing,Setscrew locking



Unit No.	Shaft Dia		Dimensions(mm)										Weight (kg)
	d		L	H <sub>0</sub>	H	A	M(in)	F	C	A <sub>1</sub>	B	S	
	(in)	(mm)											
UCHA204 204-12	3/4	20	64	96	64	40	G3/4	19	0	21	31	12.7	0.70
UCHA205 205-14 205-15 205-16	7/8 15/16 1	25	78	103	64	40	G3/4	19	0	24	34.1	14.3	0.74
UCHA206 206-17 206-18 206-19 206-20	1-1/16 1-1/8 1-3/16 1-1/4	30	78	103	64	40	G3/4	19	0	28	38.1	15.9	0.91
UCHA207 207-20 207-21 207-22 207-23	1-1/4 1-5/16 1-3/8 1-7/16	35	92	116	70	40	G3/4	19	0	30	42.9	17.5	1.19
UCHA208 208-24 208-25	1-1/2 1-9/16	40	100	123	73	40	G3/4	19	2	33	49.2	19.0	1.36
UCHA209 209-26 209-27 209-28	1-5/8 1-11/16 1-3/4	45	108	136	82	48	G1	21	5	35	49.2	19.0	1.78
UCHA210 210-30 210-31 210-32	1-7/8 1-15/16 2	50	119	142	83	48	G1	21	5	37	51.6	19.0	1.93
UCHA211 211-32 211-34 211-35	2 2-1/8 2-3/16	55	126	150	87	60	G5/4	25	7	38	55.6	22.2	3.50
UCHA212 212-36 212-38 212-39	2-1/4 2-3/8 2-7/16	60	142	173	102	60	G5/4	28	9	42	65.1	25.4	3.90
UCHA213 213-40	2-1/2	65	166	200	117	70	G1-1/2	32	9.5	44	65.1	25.4	