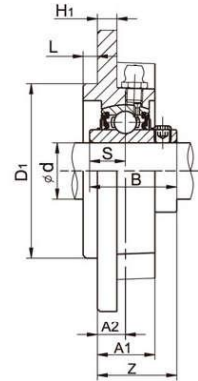
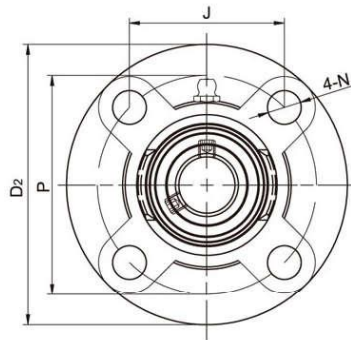


# LDK<sup>®</sup> Flange Cartridge Units

UCFCX Medium duty, Wider inner ring bearing, Setscrew locking



Unit No.	Shaft Dia		Dimensions (mm)											Bolt Size		Weight (kg)	
	d		D2	P	J	A2	N	L	H1	A1	D1	B	S	Z	(mm)		(in)
	(in)	(mm)															
UCFCX05		25															
05-13	13/16		111	92	65	10	9.5	6	9.5	24	76	38.1	15.9	32.2	M8	5/16	1.2
05-14	7/8																
05-15	15/16																
05-16	1																
UCFCX06		30															
06-17	1-1/16		127	105	74.2	8	12	9.5	9.5	22.5	85	42.9	17.5	33.4	M10	3/8	1.5
06-18	1-1/8																
06-19	1-3/16																
06-20	1-1/4																
UCFCX07		35															
07-21	1-5/16		133	111	78.5	9	12	11	11	26	92	49.2	19	39.2	M10	3/8	1.9
07-22	1-3/8																
07-23	1-7/16																
UCFCX08		40															
08-24	1-1/2		133	111	78.5	9	12	11	11	26	92	49.2	19	39.2	M10	3/8	2.0
08-25	1-9/16																
UCFCX09		45															
09-26	1-5/8		155	130	91.9	8	14	12	11	25	108	51.6	19	40.6	M12	7/16	2.6
09-27	1-11/16																
09-28	1-3/4																
09-29	1-13/16																
UCFCX10		50															
10-30	1-7/8		162	136	96.2	7	14	16	11	25	118	55.6	22.2	40.4	M12	7/16	3.2
10-31	1-15/16																
10-32	2																
UCFCX11		55															
11-33	2-1/16		180	152	107.5	4	16	22	13	26	127	65.1	25.4	43.7	M14	1/2	4.3
11-34	2-1/8																
11-35	2-3/16																
11-36	2-1/4																
11-37	2-5/16																
UCFCX12		60															
12-38	2-3/8		194	165	116.7	11	16	20	14	33	140	65.1	25.4	50.7	M14	1/2	5.3
12-39	2-7/16																
UCFCX13		65															
13-40	2-1/2		194	165	116.7	11	16	20	14	33	140	74.6	30.2	55.4	M14	1/2	5.7
13-41	2-9/16																
UCFCX14		70															
14-42	2-5/8		222	190	134.3	14	19	20	14	36	164	77.8	33.3	58.5	M16	5/8	7.3
14-43	2-11/16																
14-44	2-3/4																
UCFCX15		75															
15-45	2-13/16		222	190	134.3	12	19	22	16	35	164	82.6	33.3	61.3	M16	5/8	8
15-46	2-7/8																
15-47	2-15/16																
15-48	3																
UCFCX16		80															
16-49	3-1/16		260	219	154.8	10	23	25	19	36	186	85.7	34.1	61.6	M20	5/8	11.3
16-50	3-1/8																
16-51	3-3/16																
16-52	3-1/4																
UCFCX17		85															
17-53	3-5/16		260	219	154.8	10	23	25	19	36	186	96	39.7	66.3	M20	3/4	12.9
17-55	3-7/16																