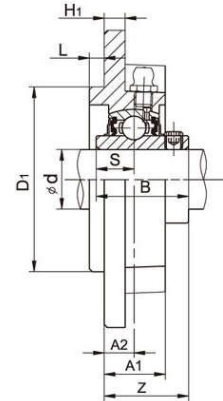
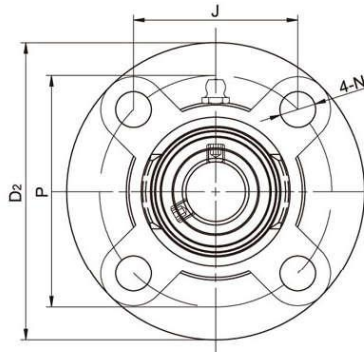


LDK[®] Flange Cartridge Units

UCFC Standard duty, Wider inner ring bearing, Setscrew locking



Unit No.	Shaft Dia		Dimensions(mm)												Bolt Size (mm)	Weight (kg)
	d		D ₂	P	J	A ₂	N	L	H ₁	A ₁	D ₁	B	S	Z		
	(in)	(mm)														
UCWFC201 201-8	1/2	12	90	70	49.5	10	10	4	5	19	55	27.4	11.5	25.9	M8	0.64
UCWFC202 202-9 202-10	9/16 5/8	15	90	70	49.5	10	10	4	5	19	55	27.4	11.5	25.9	M8	0.60
UCWFC203 203-11	11/16	17	90	70	49.5	10	10	4	5	19	55	27.4	11.5	25.9	M8	0.58
UCFC204 204-12	3/4	20	100	78	55.1	10	12	5	7	20.5	62	31	12.7	28.3	M10	0.75
UCFC 205 205-14 205-15 205-16	7/8 15/16 1	25	115	90	63.6	10	12	6	7	21	70	34.1	14.3	29.8	M10	1.00
UCFC206 206-17 206-18 206-19 206-20	1-1/16 1-1/8 1-3/16 1-1/4	30	125	100	70.7	10	12	8	8	23	80	38.1	15.9	32.2	M10	1.30
UCFC207 207-20 207-21 207-22 207-23	1-1/4 1-5/16 1-3/8 1-7/16	35	135	110	77.8	11	14	8	9	26	90	42.9	17.5	36.4	M12	1.75
UCFC208 208-24 208-25	1-1/2 1-9/16	40	145	120	84.8	11	14	10	9	26	100	49.2	19	41.2	M12	2.00
UCFC209 209-26 209-27 209-28	1-5/8 1-11/16 1-3/4	45	160	132	93.3	10	16	12	14	26	105	49.2	19	40.2	M14	2.50
UCFC210 210-30 210-31 210-32	1-7/8 1-15/16 2	50	165	138	97.6	10	16	12	14	28	110	51.6	19	42.6	M14	2.95
UCFC211 211-32 211-34 211-35	2 2-1/8 2-3/16	55	185	150	106.1	13	19	12	15	30	125	55.6	22.2	46.4	M16	4.00
UCFC212 212-36 212-38 212-39	2-1/4 2-3/8 2-7/16	60	195	160	113.1	17	19	12	15	35	135	65.1	25.4	56.7	M16	4.90
UCFC213 213-40	2-1/2	65	205	170	120.2	16	19	14	15	36	145	65.1	25.4	55.7	M16	5.35
UCFC214 214-44	2-3/4	70	215	177	125.1	17	19	14	18	38	150	74.6	30.2	61.4	M16	6.90
UCFC215 215-47 215-48	2-15/16 3	75	220	184	130.1	18	19	16	18	39	160	77.8	33.3	62.5	M16	7.50
UCFC216		80	240	200	141.4	18	23	16	18	42	170	82.6	33.3	67.3	M20	8.70
UCFC217 217-52	3-1/4	85	250	208	147.1	18	23	18	20	45	180	85.7	34.1	69.6	M20	10.30
UCFC218 218-56	3-1/2	90	265	220	155.5	22	23	18	20	50	190	96	39.7	78.3	M20	13.50