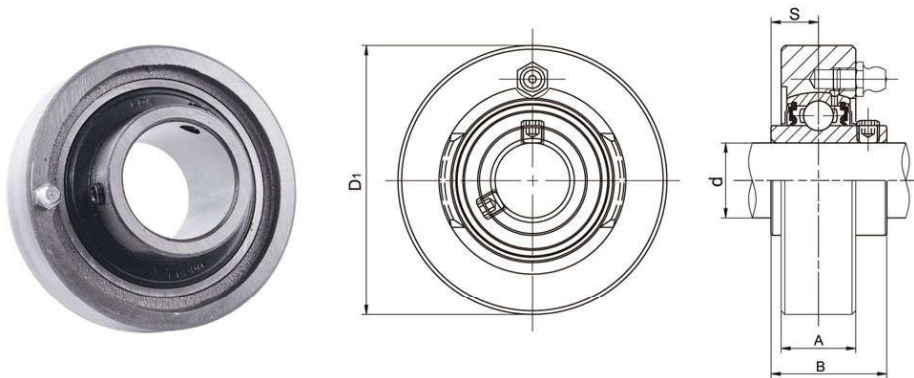


Cylindrical Cartridge Units **LDK**[®]

UCC Standard duty, Wider inner ring bearing, Setscrew locking



Unit No.	Shaft Dia		Dimensions(mm)				Weight (kg)
	d		D1	A	B	S	
	(in)	(mm)					
UCC201 201-8	1/2	12	67	20	27.4	11.5	0.56
UCC202 202-9 202-10	9/16 5/8	15	67	20	27.4	11.5	0.52
UCC203 203-11	11/16	17	67	20	27.4	11.5	0.51
UCC204 204-12	3/4	20	72	20	31.0	12.7	0.49
UCC205 205-14 205-15 205-16	7/8 15/16 1	25	80	22	34.1	14.3	0.65
UCC206 206-17 206-18 206-19 206-20	1-11/16 1-1/8 1-3/16 1-1/4	30	85	27	38.1	15.9	0.82
UCC207 207-20 207-21 207-22 207-23	1-1/4 1-5/16 1-3/8 1-7/16	35	90	28	42.9	17.5	0.93
UCC208 208-24 208-25	1-1/2 1-9/16	40	100	30	49.2	19.0	1.25
UCC209 209-26 209-27 209-28	1-5/8 1-11/16 1-3/4	45	110	31	49.2	19.0	1.53
UCC210 210-30 210-31 210-32	1-7/8 1-15/16 2	50	120	33	51.6	19.0	1.93
UCC211 211-32 211-34 211-35	2 2-1/8 2-3/16	55	125	35	55.6	22.2	2.14
UCC212 212-36 212-38 212-39	2-1/4 2-3/8 2-7/16	60	130	38	65.1	25.4	2.52
UCC213 213-40	2-1/2	65	140	40	65.1	25.4	2.97