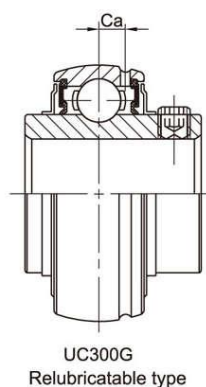
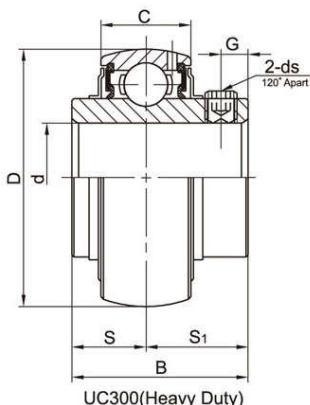
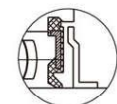


Bearing Inserts **LDK**[®]

UC300 Heavy duty, Wider inner ring, Setscrew locking



SL TYPE SEAL



TJ TYPE SEAL

Bearing No.	Shaft Dia		Dimensions (mm)									Basic dynamic Load ratings (KN)	Basic static Load ratings (KN)	Weight (kg)
	d		D	B	C	S	S ₁	G	ds		Ca			
	(in)	(mm)							(mm)	(in.UNF)				
UC305 305-14 305-15 305-16	7/8 15/16 1	25	62	38	21	15	23	6	M6X1	1/4-28	6.4	22.46	11.57	0.44
UC306 306-18 306-19	1-1/8 1-3/16	30	72	43	23	17	26	6	M6X1	1/4-28	7.1	27.14	15.20	0.56
UC307 307-20 307-21 307-22	1-1/4 1-5/16 1-3/8	35	80	48	25	19	29	8	M8X1	5/16-24	8	33.53	19.22	0.71
UC308 308-24 308-25	1-1/2 1-9/16	40	90	52	27	19	33	10	M10X1.25	3/8-24	9	40.96	24.01	1.00
UC309 309-26 309-27 309-28	1-5/8 1-11/16 1-3/4	45	100	57	30	22	35	10	M10X1.25	3/8-24	9.5	53.33	32.19	1.28
UC310 310-30 310-31	1-7/8 1-15/16	50	110	61	32	22	39	12	M12X1.25	7/16-20	10.5	62.38	38.32	1.65
UC311 311-32 311-34 311-35	2 2-1/8 2-3/16	55	120	66	34	25	41	12	M12X1.25	7/16-20	11	72.05	44.97	2.07
UC312 312-36 312-38 312-39	2-1/4 2-3/8 2-7/16	60	130	71	36	26	45	12	M12X1.25	7/16-20	11.5	82.33	52.16	2.59
UC313 313-40	2-1/2	65	140	75	38	30	45	12	M12X1.25	7/16-20	12.5	94.54	60.82	3.15
UC314 314-44	2-3/4	70	150	78	40	33	45	12	M12X1.25	7/16-20	13.2	104.70	68.13	3.83
UC315 315-48	3	75	160	82	42	32	50	12	M14X1.5	1/2-20	14	113.97	78.66	4.59
UC316		80	170	86	44	34	52	14	M14X1.5		14.9	123.46	88.18	5.40
UC317 317-52	3-1/4	85	180	96	46	40	56	16	M16X1.5	5/8-18	16	133.16	98.25	6.58
UC318 318-56	3-1/2	90	190	96	48	40	56	16	M16X1.5	5/8-18	17.3	144.67	110.59	7.34
UC319 319-60	3-3/4	95	200	103	50	41	62	16	M16X1.5	5/8-18	18.3	156.68	122.07	8.70
UC320 320-64	4	100	215	108	54	42	66	18	M18X1.5	5/8-18	20	173.14	140.67	10.80
UC321		105	225	112	56	44	68	18	M18X1.5		20.8	183.70	153.20	12.20
UC322		110	240	117	60	46	71	18	M18X1.5		20.9	206.80	179.90	14.30
UC324		120	260	126	64	51	75	18	M18X1.5		22.9	228.00	208.60	18.50
UC326		130	280	135	68	54	81	20	M20X1.5		24.9	274.20	273.70	23.00
UC328		140	300	145	72	59	86	20	M20X1.5		26.9	296.90	306.50	28.50