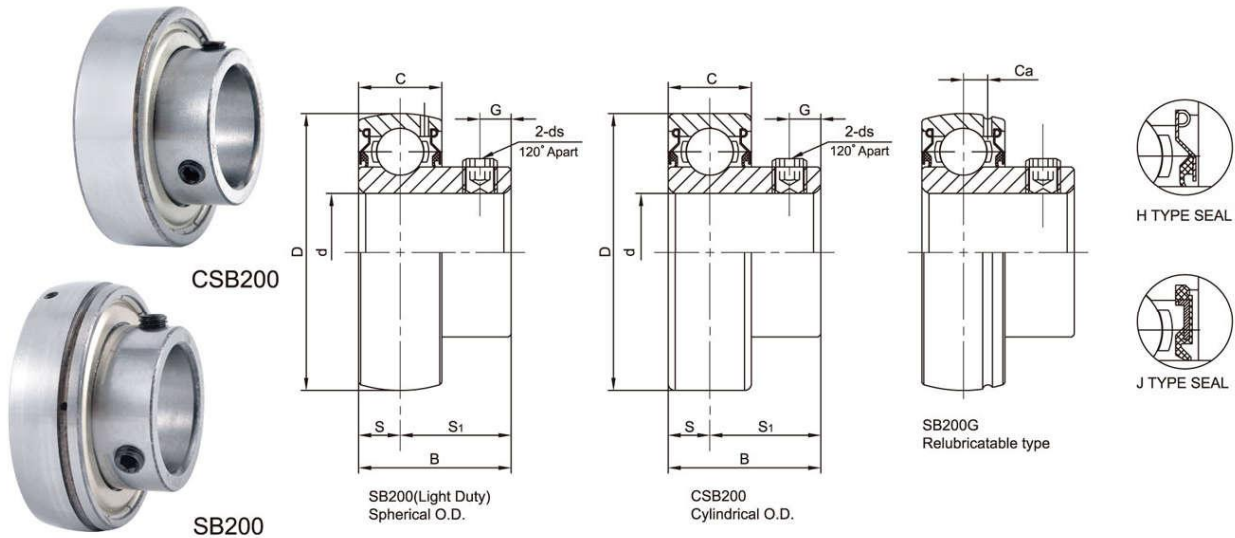


Bearing Inserts **LDK**[®]

SB/CSB Standard duty, Narrow inner ring, Setscrew locking



Bearing No.	Shaft Dia		Dimensions(mm)								Basic load ratings (KN)			Weight (kg)
	d		D	B	C	S	S ₁	G	ds		Ca	Dynamic Cr	Static Cor	
	(in)	(mm)							(mm)	(in.UNF)				
SB 201 201-8	1/2	12	40	22	12	6.0	16.0	4.9	M5x0.8	10-32	3.5	9.55	4.78	0.09
SB 202 202-9 202-10	9/16 5/8	15	40	22	12	6.0	16.0	4.9	M5x0.8	10-32	3.5	9.55	4.78	0.08
SB 203 203-11	11/16	17	40	22	12	6.0	16.0	4.9	M5x0.8	10-32	3.5	9.55	4.78	0.07
SB 204 204-12	3/4	20	47	25	14	7.0	18.0	5.0	M6x1	1/4-28	4	12.82	6.65	0.12
SB 205 205-13 205-14 205-15 205-16	13/16 7/8 15/16 1	25	52	27	15	7.5	19.5	5.5	M6x1	1/4-28	4.3	14.03	8.05	0.18
SB 206 206-17 206-18 206-19 206-20	1-1/16 1-1/8 1-3/16 1-1/4	30	62	30	16	8.0	22.0	5.9	M6x1	1/4-28	4.9	19.47	11.43	0.26
SB 207 207-20 207-21 207-22 207-23	1-1/4 1-5/16 1-3/8 1-7/16	35	72	32	17	8.5	23.5	8.0	M8x1	5/16-24	5.5	25.69	15.55	0.43
SB 208 208-24 208-25	1-1/2 1-9/16	40	80	34	18	9	25.0	8.0	M8x1	5/16-24	6.0	29.51	18.14	0.60
SB 209 209-26 209-27 209-28	1-5/8 1-11/16 1-3/4	45	85	36	19	9.5	26.5	8.0	M8x1	5/16-24	6.1	31.85	20.80	0.80
SB 210 210-30 210-31 210-32	1-7/8 1-15/16 2	50	90	38	20	10	28	10.0	M10x1.25	3/8-24	6.6	34.99	23.70	0.83
SB 211 211-32 211-33 211-34 211-35	2 2-1/16 2-1/8 2-3/16	55□	100	40	21	10.5	29.5	10.0	M10x1.25	3/8-24	7.2	43.34	29.39	1.12
SB 212 212-36 212-37 212-38 212-39	2-1/4 2-5/16 2-3/8 2-7/16	60□	110	42	22	11	31	10.0	M10x1.25	3/8-24	7.5	47.68	33.43	1.55

1) Suffix G = Lubrication groove and holes on outer rings.

2) Suffix N = Non-lubrication type, without lubrication groove & holes, without anti-rotation pin and holes.