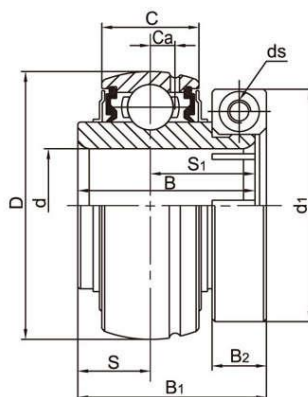
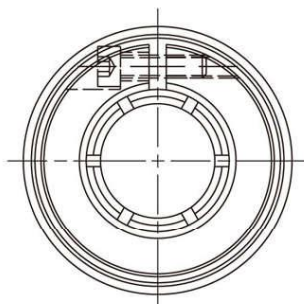


LDK[®] Bearing Inserts

UE Standard duty, Wider inner ring, Concentric locking



SL TYPE SEAL



TJ TYPE SEAL

Bearing No.	Shaft Dia		Dimensions (mm)										Load rating (KN)		Weight (kg)
	d		D	B	C	S	S ₁	B ₁	B ₂	d ₁	ds	Ca	Dynamic Cr	Static Cor	
	(in)	(mm)													
UE204 204-12	3/4	20	47	31	17	12.7	18.3	33.0	9.5	40.8	M4x0.7	4.3	12.82	6.65	0.18
UE205 205-13 205-14 205-15 205-16	13/16 7/8 15/16 1	25	52	34.1	17	14.3	19.8	35.4	9.5	49.0	M4x0.7	4	14.03	8.05	0.21
UE206 206-17 206-18 206-19 206-20	1-1/16 1-1/8 1-3/16 1-1/4	30	62	38.1	19	15.9	22.2	39.8	9.5	55.5	M4x0.7	5.3	19.47	11.43	0.33
UE207 207-20 207-21 207-22 207-23	1-1/4 1-5/16 1-3/8 1-7/16	35	72	42.9	20	17.5	25.4	43.9	11.0	64.0	M5x0.8	5.8	25.69	15.55	0.51
UE208 208-24 208-25	1-1/2 1-9/16	40	80	49.2	21	19.0	30.2	50.2	11.0	68.0	M5x0.8	6.2	29.51	18.14	0.68
UE209 209-26 209-27 209-28	1-5/8 1-11/16 1-3/4	45	85	49.2	22	19.0	30.2	50.2	11.0	74.0	M5x0.8	6.5	31.85	20.80	0.78
UE210 210-30 210-31 210-32	1-7/8 1-15/16 2	50	90	51.6	24	19.0	32.6	52.6	14.5	81.0	M6x1	7	34.99	23.70	0.85
UE211 211-32 211-33 211-34 211-35	2 2-1/16 2-1/8 2-3/16	55	100	55.6	25	22.2	33.4	56.6	14.5	92.0	M6x1	7.4	43.34	29.39	1.16
UE212 212-36 212-37 212-38 212-39	2-1/4 2-5/16 2-3/8 2-7/16	60	110	65.1	27	25.4	39.7	66.6	17.5	103.0	M8x1.25	7.6	47.68	33.43	1.59