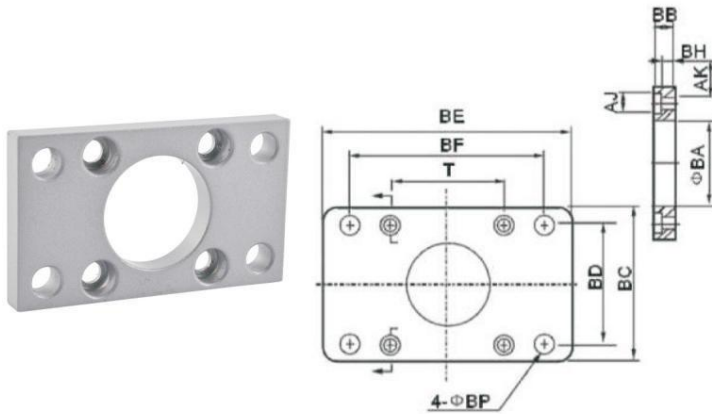


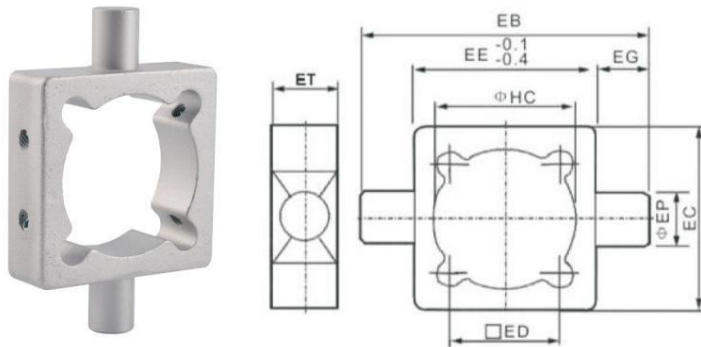
HINGE FLANGE MOUNTING PLATE CENTRAL TRUNNION MOUNTING CLEVIS & YOKES END FITTINGS

ISO-FA/FB(Flange Mounting Plate)



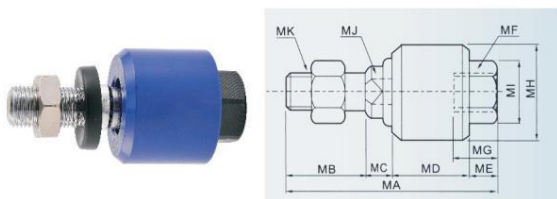
Symbol Bore	32	40	50	63	80	100	125	160	200
AJ	11	11	14	14	17	17	19	25	25
AK	7	7	9	9	11	11	13	17	17
BA	30.5	35.5	40.5	45.5	45.5	55.5	60.5	65.5	75.5
BB	10	10	12	12	16	16	20	20	25
BC	47	53	65	75	95	115	140	180	220
BD	32	36	45	50	63	75	90	115	135
BE	80	90	110	125	154	186	224	280	320
BF	64	72	90	100	126	150	180	230	270
BH	4	4	4	6	6	6	8	8	12
BP	7	9	9	9	12.5	14.5	16.5	18.5	24
T	32.5	38	46.5	56.5	72	89	110	140	175

ISO-TC(Central Trunnion Mounting)



Symbol Bore	32	40	50	63	80	100	125	160	200
EB	100	113	125	140	160	182	-	-	-
EC	52	63	74	80	105	128	-	-	-
ED	32.5	38	46.5	56.5	72	89	-	-	-
EE	52	63	75	90	105	128	-	-	-
EG	25	25	25	25	25	25	-	-	-
EP	12	16	16	20	20	25	-	-	-
ET	20	22	22	28	28	34	-	-	-
HC	37	45	55	68	87	107.5	-	-	-

ISO-UJ (Floating Joint)



Bore	MA	MB	MC	MD	ME	MF	MG	MH	MI	MJ	MK
20	51	20	6	17	8	M8x1.25	12	24	13	8	M8x1.25
25	58	22	7	21	8	M10x1.25	12	26	17	10	M10x1.25
32	58	22	7	21	8	M10x1.25	12	26	17	10	M10x1.25
40	58	22	8	21	7	M12x1.25	12	28	19	12	M12x1.25