

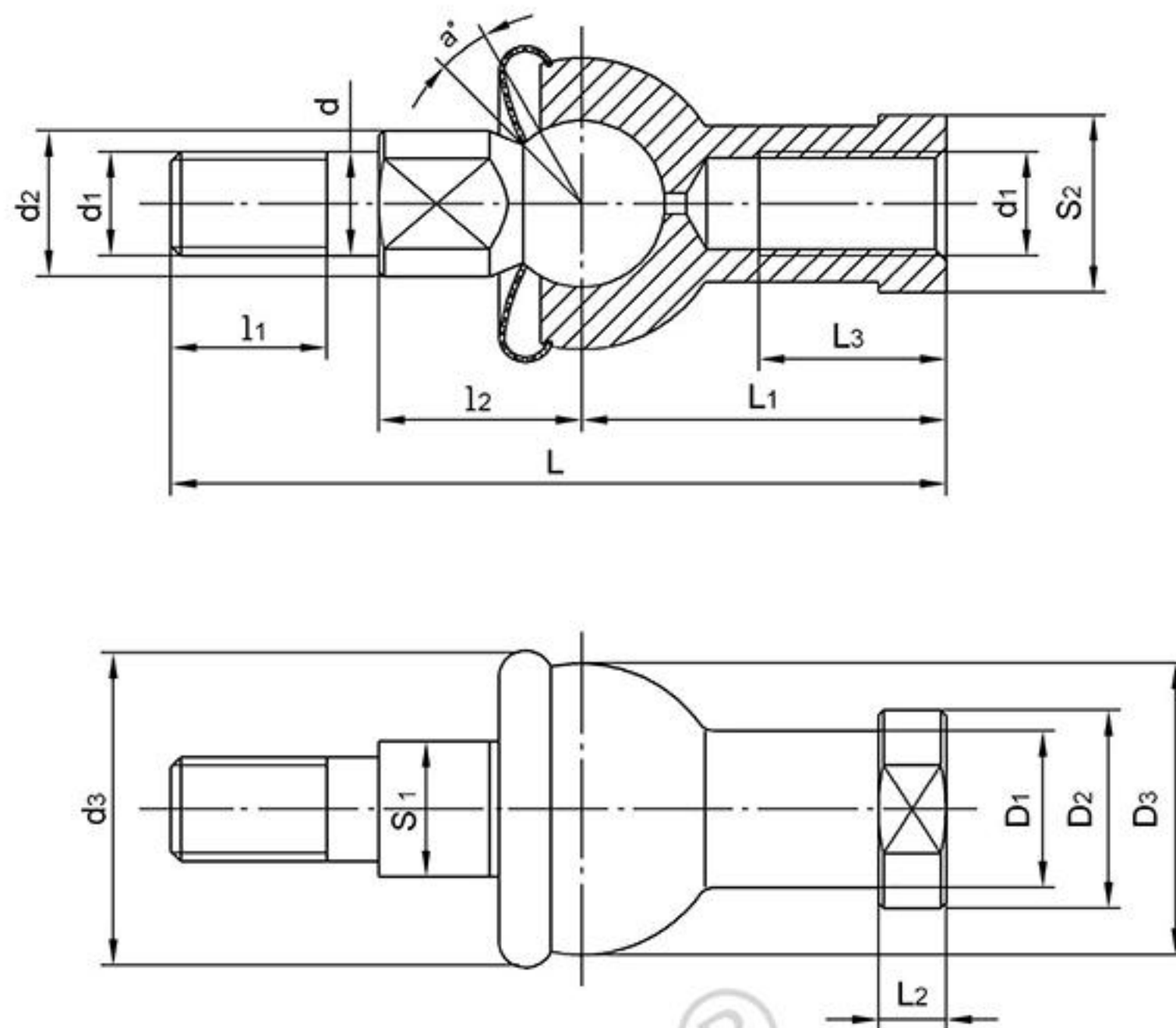
## SQZ..RS

Ball: Gcr15 Steel

Body: Zinc alloy

Stud: Carbon steel, black oxidized

Sliding contact surfaces: Steel/Zinc base alloy



Bearing No.	Dimensions(mm)															Static Load KN ratings	a° mis. angle	weight ≈ kg
	d	d3-6g	d2	d3	l1	l2	S1	L	L1	L2	L3	D1	D2	D3	S2			
SQZ5-RS	5	M5	9	19	8	11	7	46	24	4	12	9	11	17	9	2.8	15	0.025
SQZ6-RS	6	M6	10	20	11	12.2	8	55.2	28	5	15	10	13	20	11	3.7	15	0.041
SQZ8-RS	8	M8	12	24	12	16	10	65	32	5	16	12.5	16	24	14	5.8	15	0.075
SQZ10-RS	10	M10x1.25	14	30	15	19.5	11	74.5	35	6.5	18	15	19	28	17	8.4	15	0.12
SQZ12-RS	12	M12x1.25	17	32	17	21	15	84	40	6.5	20	17.5	22	32	19	11	15	0.18
SQZ14-RS	14	M14x1.5	19	38	22	23.5	17	103	45	8	25	20	25	36	22	15	11	0.27
SQZ16-RS	16	M16x1.5	22	44	23	25.5	19	112	50	8	27	22	27	40	22	15	11	0.36
SQZ18-RS	18	M18x1.5	23	45	25	31	20	130.5	58	10	32	25	31	45	27	19	11	0.54
SQZ20-RS	20	M20x1.5	27	50	25	29	24	133	63	10	38	27.5	34	45	30	19	7.5	0.57
SQZ22-RS	22	M22x1.5	27	52	26	33	24	145	70	12	43	30	37	50	32	23	7.5	0.76

The shank of ball joint housing may be left-hand thread, for left-hand thread, suffix "L" is added to bearing number and thread sign, e.g./SQZL5-RS M5L-6H