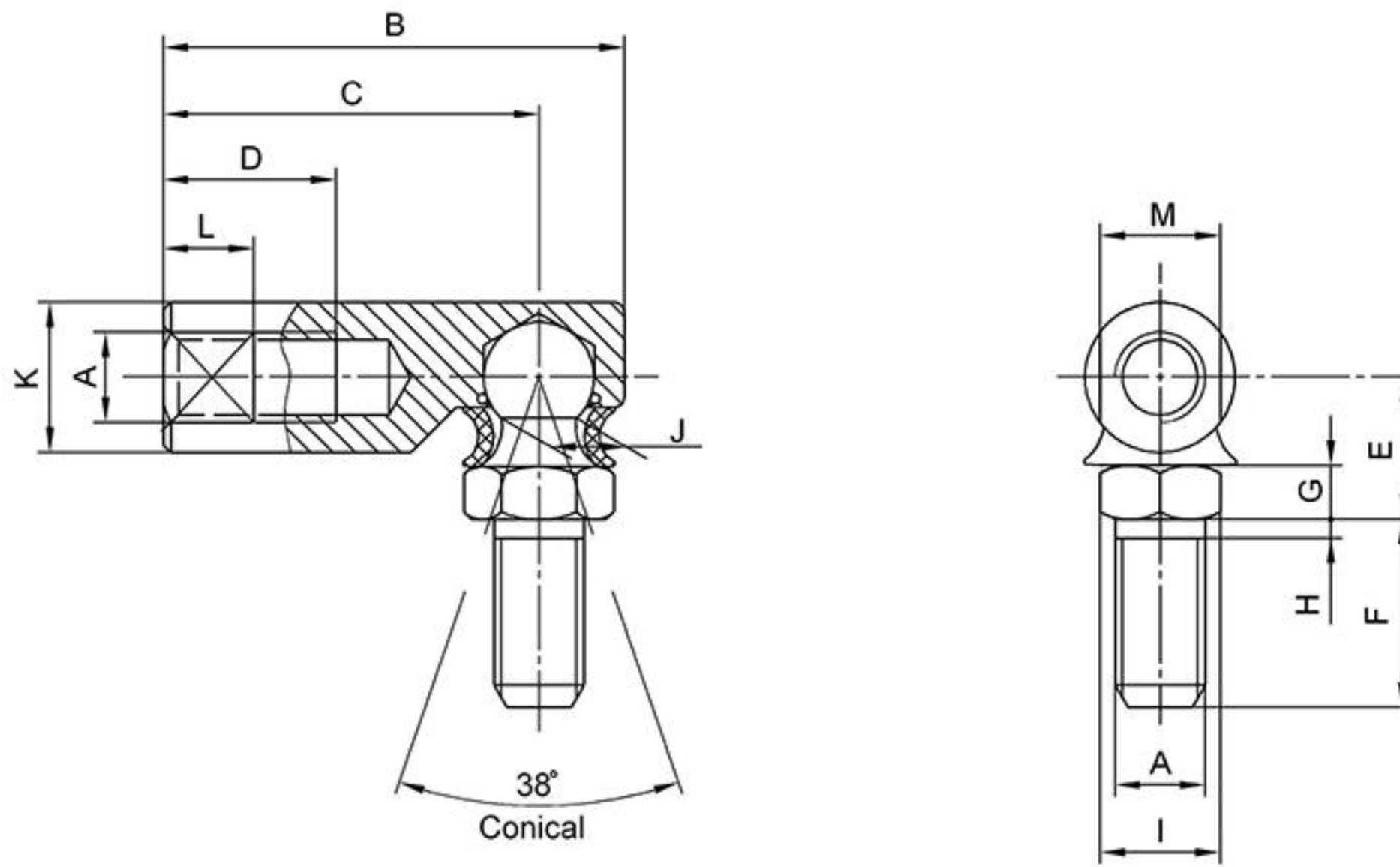


**R..G**

Ball Joint With Rubber Grommet,  
SAE J490/Type G/Style 2



Bearing No.	Dimensions(inch/mm)													tensile shear strength (Pounds)	force to remove ball stud (Pounds)
	A UNF	B	C	D	E	F	G	H	I	J	K	M	L		
R103G	10-32	1-1/16	7/8	7/16	7/16	7/16	1/8	1/16	5/16	0.172	3/8	8	6	295	690
		26.98	22.2	11.1	11.1	11.1	3.175	1.6	7.94	4.37	9.52				
R107G	1/4-28	1-7/32	31/32	1/2	15/32	9/16	1/8	3/32	3/8	0.193	7/16	8	6	882	1005
		30.95	24.6	12.7	11.9	14.28	3.175	2.38	9.5	4.9	11.1				
R108G	5/16-24	1-13/32	1-1/8	9/16	17/32	11/16	5/32	3/32	7/16	0.232	1/2	10	7	1587	1282
		35.71	28.58	14.28	13.5	17.46	4	2.38	11.1	5.8	12.7				
R109G	3/8-24	1/11/16	1-3/8	3/4	11/16	7/8	3/16	3/32	1/2	0.287	5/8	13	8	2437	1900
		42.86	34.9	19.05	17.46	22.2	4.76	2.38	12.7	7.29	15.88				
I3-316	3/8-24	1/11/16	1-3/8	3/4	11/16	5/8	3/16	3/32	1/2	0.287	5/8	13	8	2437	1900
		42.86	34.9	19.05	17.46	15.88	4.76	2.38	12.7	7.29	15.88				
R110G	7/16-20	2-3/8	1-15/16	1-1/8	7/8	1-1/8	1/4	1/8	5/8	0.412	3/4	16	10	3390	2700
		60.32	49.2	28.58	22.22	28.58	6.35	3.17	15.88	10.46	19.05				
R111G	1/2-20	2-3/8	1-15/16	1-1/8	7/8	1-1/8	1/4	1/8	5/8	0.412	3/4	16	10	3390	2700
		60.32	49.2	28.58	22.22	28.58	6.35	3.17	15.88	10.46	19.05				

Ball stud: Low carbon steel, heat treated  
Zinc plated, yellow dichromate treated

Body: Low carbon steel, zinc plated, yellow dichromate treated

**NOTE:**

1. This series is also available in male to male and female to female configuration. Consult factory.