

## LDK<sup>®</sup> STAINLESS STEEL MOUNTED BEARING UNITS

### MATERIAL AND OPERATION TEMPERATURE

| DESCRIPTION                                  | MATERIALS                            |
|--|--------------------------------------|
| HOUSING:                                     | SUS 304                              |
| BEARING INSERT                               |                                      |
| SET SCREW                                    | SUS 304                              |
| RETAINER                                     | SUS 201                              |
| SLINGER & FRAME                              | SUS 304                              |
| INNER & OUTER RINGS                          | SUS 440                              |
| BALLS  | SUS 440                              |
| GREASE NIPPLE                                | SUS 304                              |
| GREASE<br>(please check with us for details) | INDUSTRY GREASE<br>FOOD GRADE GREASE |
| OPERATING TEMPERATURE                        | -20°C ~ 120°C                        |



### RECOMMENDED TIGHTENING TORQUE FOR SET SCREWS

| SET SCREW | BEARING NO. | TIGHTENING TORQUE (N.M) |
|-----------|-------------|-------------------------|
| M6 X 1    | SUC 204-206 | 3.9                     |
| M8 X 1    | SUC 207-209 | 8.3                     |
| M10 X 1   | SUC 210     | 16                      |



### TOLERANCES FOR BEARING INNER RINGS

| Nominal Bore Dia.(mm) |       | Bore Diameter    |     |                 |     | Width           |      | Radial run-out |
|-----------------------|-------|------------------|-----|-----------------|-----|-----------------|------|----------------|
|                       |       | dm<br>Deviations |     | d<br>Deviations |     | B<br>Deviations |      |                |
| Over                  | incl. | Hight            | Low | Hight           | Low | Hight           | Low  | max            |
| 18                    | 30    | +21              | 0   | +25             | -40 | 0               | -120 | 18             |
| 30                    | 50    | +25              | 0   | +30             | -5  | 0               | -120 | 20             |

Unit:um



SHINY POLISHING SURFACE TREATMENT TO THE STAINLESS STEEL HOUSING IS AVAILABLE UPON REQUEST.

**F AND FL TYPE** HOUSINGS CAN BE MOUNTED WITH RUBBER BACK SEAL,CLOSE AND OPEN COVERS TO BLOCK OFF DUST.

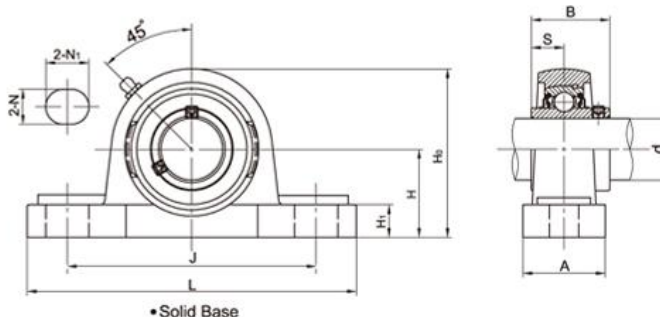
### TYPICAL APPLICATION

FOOD PROCESSING MACHINERY, MEDICAL EQUIPMENT, CHEMICAL AND AGRICULTURAL MACHINERY AND MANY APPLICATIONS THAT REQUIRE CLEANLINESS, RUST PREVENTIVE AND ANTI-CORROSION.



# All Stainless Steel Bearing Units **LDK**<sup>®</sup>

SSUCP..ESB All stainless steel pillow blocks, Solid base housing, Setscrew locking

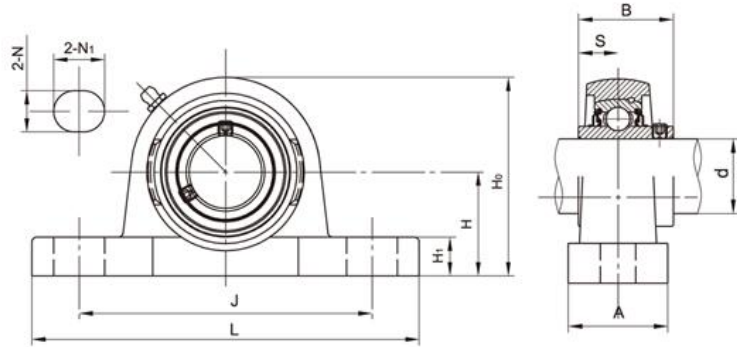


| Unit No.    | Shaft Dia |        | Dimensions(mm) |     |     |    |    |                |                |                |      |      | Bolt Size (mm) | Weight (kg) |  |
|-------------|-----------|--------|----------------|-----|-----|----|----|----------------|----------------|----------------|------|------|----------------|-------------|--|
|             | d (in)    | d (mm) | H              | L   | J   | A  | N  | N <sub>1</sub> | H <sub>1</sub> | H <sub>0</sub> | B    | S    |                |             |  |
| SSUCP204ESB |           | 20     |                |     |     |    |    |                |                |                |      |      |                |             |  |
| 204-12ESB   | 3/4       |        | 33.3           | 127 | 95  | 38 | 13 | 19             | 15             | 64             | 31   | 12.7 | M10            | 0.79        |  |
| SSUCP205ESB |           | 25     |                |     |     |    |    |                |                |                |      |      |                |             |  |
| 205-14ESB   | 7/8       |        | 36.5           | 140 | 105 | 38 | 13 | 19             | 16.5           | 70             | 34.1 | 14.3 | M10            | 0.95        |  |
| 205-15ESB   | 15/16     |        |                |     |     |    |    |                |                |                |      |      |                |             |  |
| 205-16ESB   | 1         |        |                |     |     |    |    |                |                |                |      |      |                |             |  |
| SSUCP206ESB |           | 30     |                |     |     |    |    |                |                |                |      |      |                |             |  |
| 206-17ESB   | 1-1/16    |        |                |     |     |    |    |                |                |                |      |      |                |             |  |
| 206-18ESB   | 1-1/8     |        | 42.9           | 165 | 121 | 48 | 17 | 21             | 18             | 82             | 38.1 | 15.9 | M12            | 1.49        |  |
| 206-19ESB   | 1-3/16    |        |                |     |     |    |    |                |                |                |      |      |                |             |  |
| 206-20ESB   | 1-1/4     |        |                |     |     |    |    |                |                |                |      |      |                |             |  |
| SSUCP207ESB |           | 35     |                |     |     |    |    |                |                |                |      |      |                |             |  |
| 207-20ESB   | 1-1/4     |        |                |     |     |    |    |                |                |                |      |      |                |             |  |
| 207-21ESB   | 1-5/16    |        | 47.6           | 167 | 127 | 48 | 17 | 21             | 19             | 92             | 42.9 | 17.5 | M12            | 1.93        |  |
| 207-22ESB   | 1-3/8     |        |                |     |     |    |    |                |                |                |      |      |                |             |  |
| 207-23ESB   | 1-7/16    |        |                |     |     |    |    |                |                |                |      |      |                |             |  |
| SSUCP208ESB |           | 40     |                |     |     |    |    |                |                |                |      |      |                |             |  |
| 208-24ESB   | 1-1/2     |        | 49.2           | 184 | 137 | 54 | 17 | 22             | 19             | 99             | 49.2 | 19   | M12            | 2.26        |  |
| 208-25ESB   | 1-9/16    |        |                |     |     |    |    |                |                |                |      |      |                |             |  |
| SSUCP209ESB |           | 45     |                |     |     |    |    |                |                |                |      |      |                |             |  |
| 209-26ESB   | 1-5/8     |        |                |     |     |    |    |                |                |                |      |      |                |             |  |
| 209-27ESB   | 1-11/16   |        | 54             | 190 | 146 | 54 | 17 | 22             | 20             | 108            | 49.2 | 19   | M12            | 2.76        |  |
| 209-28ESB   | 1-3/4     |        |                |     |     |    |    |                |                |                |      |      |                |             |  |
| SSUCP210ESB |           | 50     |                |     |     |    |    |                |                |                |      |      |                |             |  |
| 210-30ESB   | 1-7/8     |        |                |     |     |    |    |                |                |                |      |      |                |             |  |
| 210-31ESB   | 1-15/16   |        | 57.2           | 206 | 159 | 60 | 20 | 25             | 22             | 112            | 51.6 | 19   | M16            | 3.31        |  |
| 210-32ESB   | 2         |        |                |     |     |    |    |                |                |                |      |      |                |             |  |
| SSUCP211ESB |           | 55     |                |     |     |    |    |                |                |                |      |      |                |             |  |
| 211-32ESB   | 2         |        |                |     |     |    |    |                |                |                |      |      |                |             |  |
| 211-34ESB   | 2-1/8     |        | 63.5           | 219 | 171 | 60 | 20 | 25             | 23             | 124            | 55.6 | 22.2 | M16            | 3.98        |  |
| 211-35ESB   | 2-3/16    |        |                |     |     |    |    |                |                |                |      |      |                |             |  |
| SSUCP212ESB |           | 60     |                |     |     |    |    |                |                |                |      |      |                |             |  |
| 212-36ESB   | 2-1/4     |        |                |     |     |    |    |                |                |                |      |      |                |             |  |
| 212-38ESB   | 2-3/8     |        | 69.9           | 238 | 184 | 70 | 20 | 25             | 25             | 137            | 65.1 | 25.4 | M16            | 5.42        |  |
| 212-39ESB   | 2-7/16    |        |                |     |     |    |    |                |                |                |      |      |                |             |  |

- Notes: 1. Grease fittings also available at 90° positions.  
 2. Upon request, available with plastic close cap (CC) or open cap (OC) at one end or both ends.  
 Ordering example: SSUCP204-12ESB CC.  
 3. Lubricated with food grade grease.

# LDK<sup>®</sup> All Stainless Steel Bearing Units

## SSUCP..A All stainless steel pillow blocks and inch-based housing, Setscrew locking



•Solid Base

| Unit No.  | Shaft Dia |        | Dimensions(mm) |     |     |    |    |                |                |                |      |      | Bolt Size (mm) | Weight (kg) |  |  |
|-----------|-----------|--------|----------------|-----|-----|----|----|----------------|----------------|----------------|------|------|----------------|-------------|--|--|
|           | d (in)    | d (mm) | H              | L   | J   | A  | N  | N <sub>1</sub> | H <sub>1</sub> | H <sub>0</sub> | B    | S    |                |             |  |  |
| SSUCP204A |           | 20     |                |     |     |    |    |                |                |                |      |      |                |             |  |  |
| 204-12A   | 3/4       |        | 33.3           | 127 | 95  | 30 | 13 | 19             | 14             | 64             | 31   | 12.7 | M10            | 0.71        |  |  |
| SSUCP205A |           | 25     |                |     |     |    |    |                |                |                |      |      |                |             |  |  |
| 205-14A   | 7/8       |        | 36.5           | 140 | 105 | 30 | 13 | 19             | 15             | 70             | 34.1 | 14.3 | M10            | 0.82        |  |  |
| 205-15A   | 15/16     |        |                |     |     |    |    |                |                |                |      |      |                |             |  |  |
| 205-16A   | 1         |        |                |     |     |    |    |                |                |                |      |      |                |             |  |  |
| SSUCP206A |           | 30     |                |     |     |    |    |                |                |                |      |      |                |             |  |  |
| 206-17A   | 1-1/16    |        |                |     |     |    |    |                |                |                |      |      |                |             |  |  |
| 206-18A   | 1-1/8     |        | 42.9           | 165 | 121 | 36 | 17 | 21             | 16             | 82             | 38.1 | 15.9 | M12            | 1.31        |  |  |
| 206-19A   | 1-3/16    |        |                |     |     |    |    |                |                |                |      |      |                |             |  |  |
| 206-20A   | 1-1/4     |        |                |     |     |    |    |                |                |                |      |      |                |             |  |  |
| SSUCP207A |           | 35     |                |     |     |    |    |                |                |                |      |      |                |             |  |  |
| 207-20A   | 1-1/4     |        |                |     |     |    |    |                |                |                |      |      |                |             |  |  |
| 207-21A   | 1-5/16    |        | 47.6           | 167 | 127 | 38 | 17 | 21             | 17             | 92             | 42.9 | 17.5 | M12            | 1.65        |  |  |
| 207-22A   | 1-3/8     |        |                |     |     |    |    |                |                |                |      |      |                |             |  |  |
| 207-23A   | 1-7/16    |        |                |     |     |    |    |                |                |                |      |      |                |             |  |  |
| SSUCP208A |           | 40     |                |     |     |    |    |                |                |                |      |      |                |             |  |  |
| 208-24A   | 1-1/2     |        | 49.2           | 184 | 137 | 40 | 17 | 21             | 18             | 98             | 49.2 | 19   | M12            | 2.00        |  |  |
| 208-25A   | 1-9/16    |        |                |     |     |    |    |                |                |                |      |      |                |             |  |  |
| SSUCP209A |           | 45     |                |     |     |    |    |                |                |                |      |      |                |             |  |  |
| 209-26A   | 1-5/8     |        | 54             | 190 | 146 | 40 | 17 | 21             | 20             | 105            | 49.2 | 19   | M12            | 2.26        |  |  |
| 209-27A   | 1-11/16   |        |                |     |     |    |    |                |                |                |      |      |                |             |  |  |
| 209-28A   | 1-3/4     |        |                |     |     |    |    |                |                |                |      |      |                |             |  |  |
| SSUCP210A |           | 50     |                |     |     |    |    |                |                |                |      |      |                |             |  |  |
| 210-30A   | 1-7/8     |        | 57.2           | 206 | 159 | 45 | 20 | 22             | 22             | 112            | 51.6 | 19   | M16            | 2.80        |  |  |
| 210-31A   | 1-15/16   |        |                |     |     |    |    |                |                |                |      |      |                |             |  |  |
| 210-32A   | 2         |        |                |     |     |    |    |                |                |                |      |      |                |             |  |  |
| SSUCP211A |           | 55     |                |     |     |    |    |                |                |                |      |      |                |             |  |  |
| 211-32A   | 2         |        | 63.5           | 218 | 171 | 50 | 20 | 22             | 22             | 126            | 55.6 | 22.2 | M16            | 3.83        |  |  |
| 211-34A   | 2-1/8     |        |                |     |     |    |    |                |                |                |      |      |                |             |  |  |
| 211-35A   | 2-3/16    |        |                |     |     |    |    |                |                |                |      |      |                |             |  |  |
| SSUCP212A |           | 60     |                |     |     |    |    |                |                |                |      |      |                |             |  |  |
| 212-36A   | 2-1/4     |        | 69.9           | 238 | 184 | 60 | 20 | 25             | 25             | 137            | 65.1 | 25.4 | M16            | 5.33        |  |  |
| 212-38A   | 2-3/8     |        |                |     |     |    |    |                |                |                |      |      |                |             |  |  |
| 212-39A   | 2-7/16    |        |                |     |     |    |    |                |                |                |      |      |                |             |  |  |

Notes: 1. Grease fittings also available at 90° positions.

2. Upon request, available with plastic close cap (CC) or open cap (OC) at one end or both ends.

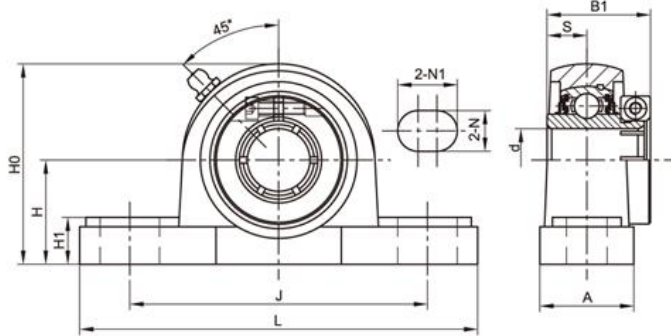
Ordering example: SSUCP204-12A CC.

3. Hand polishing surface housing available upon request. Ordering example: SSUCP204-12A HP.

4. Lubricated with food grade grease.

# All Stainless Steel Bearing Units **LDK**<sup>®</sup>

SSUEP..ESB All stainless steel pillow blocks, Solid base housing, Concentric locking



| Unit No.  | Shaft Dia                          |        | Dimensions(mm) |     |     |    |    |                |                |                |                |      | Bolt Size (mm) | Weight (kg) |
|---|------------------------------------|--------|----------------|-----|-----|----|----|----------------|----------------|----------------|----------------|------|----------------|-------------|
|   | d (in)                             | d (mm) | H              | L   | J   | A  | N  | N <sub>1</sub> | H <sub>1</sub> | H <sub>0</sub> | B <sub>1</sub> | S    |                |             |
| SSUEP204ESB<br>204-12ESB  | 3/4                                | 20     | 33.3           | 127 | 95  | 38 | 13 | 19             | 15             | 64             | 33             | 12.7 | M10            | 0.81        |
| SSUEP205ESB<br>205-14ESB<br>205-15ESB<br>205-16ESB              | 7/8<br>15/16<br>1                  | 25     | 36.5           | 140 | 105 | 38 | 13 | 19             | 16.5           | 70             | 35.4           | 14.3 | M10            | 0.98        |
| SSUEP206ESB<br>206-17ESB<br>206-18ESB<br>206-19ESB<br>206-20ESB | 1-1/16<br>1-1/8<br>1-3/16<br>1-1/4 | 30     | 42.9           | 165 | 121 | 48 | 17 | 21             | 18             | 82             | 39.8           | 15.9 | M12            | 1.53        |
| SSUEP207ESB<br>207-20ESB<br>207-21ESB<br>207-22ESB<br>207-23ESB | 1-1/4<br>1-5/16<br>1-3/8<br>1-7/16 | 35     | 47.6           | 167 | 127 | 48 | 17 | 21             | 19             | 92             | 43.9           | 17.5 | M12            | 2.03        |
| SSUEP208ESB<br>208-24ESB<br>208-25ESB                           | 1-1/2<br>1-9/16                    | 40     | 49.2           | 184 | 137 | 54 | 17 | 22             | 19             | 99             | 50.2           | 19   | M12            | 2.38        |
| SSUEP209ESB<br>209-26ESB<br>209-27ESB<br>209-28ESB              | 1-5/8<br>1-11/16<br>1-3/4          | 45     | 54             | 190 | 146 | 54 | 17 | 22             | 20             | 108            | 50.2           | 19   | M12            | 2.83        |
| SSUEP210ESB<br>210-30ESB<br>210-31ESB<br>210-32ESB              | 1-7/8<br>1-15/16<br>2              | 50     | 57.2           | 206 | 159 | 60 | 20 | 25             | 22             | 112            | 52.6           | 19   | M16            | 3.39        |
| SSUEP211ESB<br>211-32ESB<br>211-34ESB<br>211-35ESB              | 2<br>2-1/8<br>2-3/16               | 55     | 63.5           | 219 | 171 | 60 | 20 | 25             | 23             | 124            | 56.6           | 22.2 | M16            | 4.06        |
| SSUEP212ESB<br>212-36ESB<br>212-38ESB<br>212-39ESB              | 2-1/4<br>2-3/8<br>2-7/16           | 60     | 69.9           | 238 | 184 | 70 | 20 | 25             | 25             | 137            | 66.6           | 25.4 | M16            | 5.68        |

Notes: 1. Grease fittings also available at 90° positions.

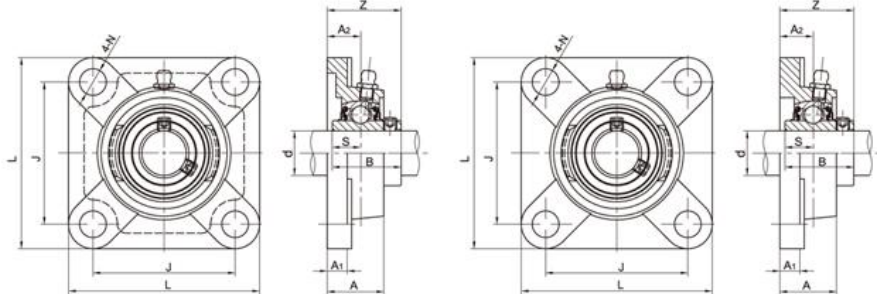
2. Upon request, available with plastic close cap(CC) or open cap(OC) at one end or both ends.

Ordering example: SSUEP204-12ESB CC.

3. Lubricated with food grade grease.

# LDK<sup>®</sup> All Stainless Steel Bearing Units

SSUCF..EHB/ESB All stainless steel flange units 4-bolt,Hollow/Solid base,Setscrew locking



• SSUCF200EHB (Hollow Base)

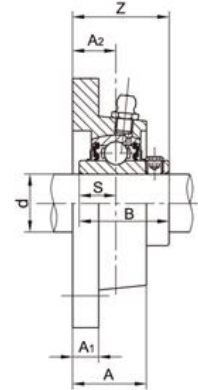
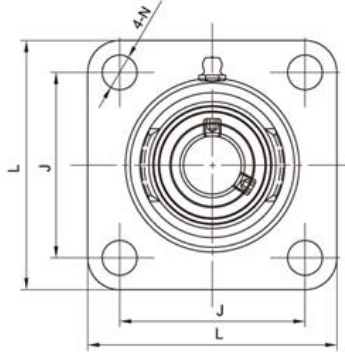
• SSUCF200ESB (Solid Base)

| Unit No.  |   | Shaft Dia                          |      | Dimensions(mm) |     |                |                |      |    |      |      |      | Bolt Size (mm) | Weight (kg) |
|---|---|------------------------------------|------|----------------|-----|----------------|----------------|------|----|------|------|------|----------------|-------------|
| Hollow Base Housing   | Solid Base Housing  | d                                  |      | L              | J   | A <sub>2</sub> | A <sub>1</sub> | A    | N  | Z    | B    | S    |                |             |
|   |   | (in)                               | (mm) |                |     |                |                |      |    |      |      |      |                |             |
| SSUCF204EHB<br>204-12EHB  | SSUCF204ESB<br>204-12ESB  | 3/4                                | 20   | 86             | 64  | 15             | 12             | 25.5 | 12 | 33.3 | 31   | 12.7 | M10            | 0.71        |
| SSUCF205EHB<br>205-14EHB<br>205-15EHB<br>205-16EHB              | SSUCF205ESB<br>205-14ESB<br>205-15ESB<br>205-16ESB              | 7/8<br>15/16<br>1                  | 25   | 95             | 70  | 16             | 14.3           | 27   | 12 | 35.8 | 34.1 | 14.3 | M10            | 0.96        |
| SSUCF206EHB<br>206-17EHB<br>206-18EHB<br>206-19EHB<br>206-20EHB | SSUCF206ESB<br>206-17ESB<br>206-18ESB<br>206-19ESB<br>206-20ESB | 1-1/16<br>1-1/8<br>1-3/16<br>1-1/4 | 30   | 108            | 83  | 18             | 14             | 31   | 12 | 40.2 | 38.1 | 15.9 | M14            | 1.33        |
| SSUCF207EHB<br>207-20EHB<br>207-21EHB<br>207-22EHB<br>207-23EHB | SSUCF207ESB<br>207-20ESB<br>207-21ESB<br>207-22ESB<br>207-23ESB | 1-1/4<br>1-5/16<br>1-3/8<br>1-7/16 | 35   | 117            | 92  | 19             | 15.9           | 34   | 14 | 44.4 | 42.9 | 17.5 | M14            | 1.79        |
| SSUCF208EHB<br>208-24EHB<br>208-25EHB                           | SSUCF208ESB<br>208-24ESB<br>208-25ESB                           | 1-1/2<br>1-9/16                    | 40   | 130            | 102 | 21             | 15.9           | 36   | 16 | 51.2 | 49.2 | 19   | M14            | 2.16        |
| SSUCF209EHB<br>209-26EHB<br>209-27EHB<br>209-28EHB              | SSUCF209ESB<br>209-26ESB<br>209-27ESB<br>209-28ESB              | 1-5/8<br>1-11/16<br>1-3/4          | 45   | 137            | 105 | 22             | 16.7           | 38   | 16 | 52.2 | 49.2 | 19   | M14            | 2.65        |
| SSUCF210EHB<br>210-30EHB<br>210-31EHB<br>210-32EHB              | SSUCF210ESB<br>210-30ESB<br>210-31ESB<br>210-32ESB              | 1-7/8<br>1-15/16<br>2              | 50   | 143            | 111 | 22             | 15.9           | 40   | 16 | 54.6 | 51.6 | 19   | M16            | 2.92        |
| SSUCF211EHB<br>211-32EHB<br>211-34EHB<br>211-35EHB              | SSUCF211ESB<br>211-32ESB<br>211-34ESB<br>211-35ESB              | 2<br>2-1/8<br>2-3/16               | 55   | 162            | 130 | 25             | 18             | 43   | 19 | 58.4 | 55.6 | 22.2 | M16            | 4.13        |
| SSUCF212EHB<br>212-36EHB<br>212-38EHB<br>212-39EHB              | SSUCF212ESB<br>212-36ESB<br>212-38ESB<br>212-39ESB              | 2-1/4<br>2-3/8<br>2-7/16           | 60   | 175            | 143 | 29             | 18             | 48   | 19 | 68.7 | 65.1 | 25.4 | M16            | 5.15        |

Notes: 1. Upon request, available with plastic close cap(CC) or open cap(OC) at one end. Ordering example SSUCF204-12ESB CC.  
 2. Back seal is available when mounted with narrow inner ring SSB/SSA inserts.  
 3. Lubricated with food grade grease.

# All Stainless Steel Bearing Units **LDK**<sup>®</sup>

**SSUCF..A All stainless steel flange 4-bolt and inch-based housing, Setscrew locking**



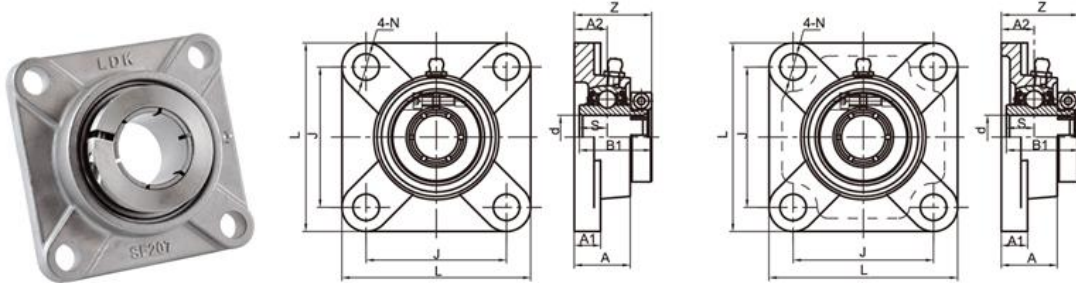
• Solid Base

| Unit No.  | Shaft Dia                          |        | Dimensions(mm) |     |                |                |      |    |      |      |      | Bolt Size (mm) | Weight (kg) |
|---|------------------------------------|--------|----------------|-----|----------------|----------------|------|----|------|------|------|----------------|-------------|
|   | d (in)                             | d (mm) | L              | J   | A <sub>2</sub> | A <sub>1</sub> | A    | N  | Z    | B    | S    |                |             |
| SSUCF204A<br>204-12A                                  | 3/4                                | 20     | 86             | 64  | 15             | 11             | 25.5 | 12 | 33.3 | 31   | 12.7 | M10            | 0.71        |
| SSUCF205A<br>205-14A<br>205-15A<br>205-16A            | 7/8<br>15/16<br>1                  | 25     | 95             | 70  | 16             | 13             | 28   | 12 | 35.8 | 34.1 | 14.3 | M10            | 0.97        |
| SSUCF206A<br>206-17A<br>206-18A<br>206-19A<br>206-20A | 1-1/16<br>1-1/8<br>1-3/16<br>1-1/4 | 30     | 108            | 83  | 18             | 13             | 31   | 12 | 40.2 | 38.1 | 15.9 | M10            | 1.41        |
| SSUCF207A<br>207-20A<br>207-21A<br>207-22A<br>207-23A | 1-1/4<br>1-5/16<br>1-3/8<br>1-7/16 | 35     | 117            | 92  | 19             | 15             | 34   | 14 | 44.4 | 42.9 | 17.5 | M12            | 1.86        |
| SSUCF208A<br>208-24A<br>208-25A                       | 1-1/2<br>1-9/16                    | 40     | 130            | 102 | 21             | 15             | 36   | 16 | 51.2 | 49.2 | 19   | M14            | 2.30        |
| SSUCF209A<br>209-26A<br>209-27A<br>209-28A            | 1-5/8<br>1-11/16<br>1-3/4          | 45     | 137            | 105 | 22             | 16             | 38   | 16 | 52.2 | 49.2 | 19   | M14            | 2.71        |
| SSUCF210A<br>210-30A<br>210-31A<br>210-32A            | 1-7/8<br>1-15/16<br>2              | 50     | 143            | 111 | 22             | 16             | 40   | 16 | 54.6 | 51.6 | 19   | M14            | 2.93        |
| SSUCF211A<br>211-32A<br>211-34A<br>211-35A            | 2<br>2-1/8<br>2-3/16               | 55     | 162            | 130 | 25             | 18             | 43   | 19 | 58.4 | 55.6 | 22.2 | M16            | 4.13        |
| SSUCF212A<br>212-36A<br>212-38A<br>212-39A            | 2-1/4<br>2-3/8<br>2-7/16           | 60     | 175            | 143 | 29             | 18             | 48   | 19 | 68.7 | 65.1 | 25.4 | M16            | 5.51        |

- Notes: 1. Upon request, available with plastic close cap(CC) or open cap(OC) at one end. Ordering example SSUCF204-12A CC.  
 2. Back seal is available when mounted with narrow inner ring SSB/SSA inserts.  
 3. Hand polishing surface housing available upon request. Ordering example SSUCF204-12A HP.  
 4. Lubricated with food grade grease.

# LDK<sup>®</sup> All Stainless Steel Bearing Units

SSUEF..EHB/ESB All stainless steel 4-bolt flange, Hollow/Solid base housing, Concentric locking



SSUEF200ESB(Solid Base)

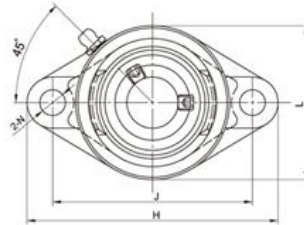
SSUEF200EHB(Hollow Base)

| Unit No.  |   | Shaft Dia                          |      | Dimensions(mm) |     |                |                |      |    |      |                |      | Bolt Size (mm) | Weight (kg) |
|---|---|------------------------------------|------|----------------|-----|----------------|----------------|------|----|------|----------------|------|----------------|-------------|
| Hollow Base Housing   | Solid Base Housing  | d                                  |      | L              | J   | A <sub>2</sub> | A <sub>1</sub> | A    | N  | Z    | B <sub>1</sub> | S    |                |             |
|   |   | (in)                               | (mm) |                |     |                |                |      |    |      |                |      |                |             |
| SSUEF204EHB<br>204-12EHB  | SSUEF204ESB<br>204-12ESB  | 3/4                                | 20   | 86             | 64  | 15             | 12             | 25.5 | 12 | 35.3 | 33             | 12.7 | M10            | 0.72        |
| SSUEF205EHB<br>205-14EHB<br>205-15EHB<br>205-16EHB              | SSUEF205ESB<br>205-14ESB<br>205-15ESB<br>205-16ESB              | 7/8<br>15/16<br>1                  | 25   | 95             | 70  | 16             | 14.3           | 27   | 12 | 37.1 | 35.4           | 14.3 | M10            | 0.99        |
| SSUEF206EHB<br>206-17EHB<br>206-18EHB<br>206-19EHB<br>206-20EHB | SSUEF206ESB<br>206-17ESB<br>206-18ESB<br>206-19ESB<br>206-20ESB | 1-1/16<br>1-1/8<br>1-3/16<br>1-1/4 | 30   | 108            | 83  | 18             | 14             | 31   | 12 | 41.9 | 39.8           | 15.9 | M14            | 1.33        |
| SSUEF207EHB<br>207-20EHB<br>207-21EHB<br>207-22EHB<br>207-23EHB | SSUEF207ESB<br>207-20ESB<br>207-21ESB<br>207-22ESB<br>207-23ESB | 1-1/4<br>1-5/16<br>1-3/8<br>1-7/16 | 35   | 117            | 92  | 19             | 15.9           | 34   | 14 | 43.4 | 43.9           | 17.5 | M14            | 1.81        |
| SSUEF208EHB<br>208-24EHB<br>208-25EHB                           | SSUEF208ESB<br>208-24ESB<br>208-25ESB                           | 1-1/2<br>1-9/16                    | 40   | 130            | 102 | 21             | 15.9           | 36   | 16 | 52.2 | 50.2           | 19   | M14            | 2.2         |
| SSUEF209EHB<br>209-26EHB<br>209-27EHB<br>209-28EHB              | SSUEF209ESB<br>209-26ESB<br>209-27ESB<br>209-28ESB              | 1-5/8<br>1-11/16<br>1-3/4          | 45   | 137            | 105 | 22             | 16.7           | 38   | 16 | 53.2 | 50.2           | 19   | M14            | 2.72        |
| SSUEF210EHB<br>210-30EHB<br>210-31EHB<br>210-32EHB              | SSUEF210ESB<br>210-30ESB<br>210-31ESB<br>210-32ESB              | 1-7/8<br>1-15/16<br>2              | 50   | 143            | 111 | 22             | 15.9           | 40   | 16 | 55.6 | 52.6           | 19   | M16            | 2.96        |
| SSUEF211EHB<br>211-32EHB<br>211-34EHB<br>211-35EHB              | SSUEF211ESB<br>211-32ESB<br>211-34ESB<br>211-35ESB              | 2<br>2-1/8<br>2-3/16               | 55   | 162            | 130 | 25             | 18             | 43   | 19 | 59.4 | 56.6           | 22.2 | M16            | 4.21        |
| SSUEF212EHB<br>212-36EHB<br>212-38EHB<br>212-39EHB              | SSUEF212ESB<br>212-36ESB<br>212-38ESB<br>212-39ESB              | 2-1/4<br>2-3/8<br>2-7/16           | 60   | 175            | 143 | 29             | 18             | 48   | 19 | 70.2 | 66.6           | 25.4 | M16            | 5.23        |

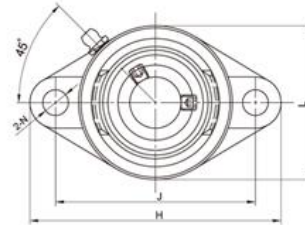
Notes: 1. Upon request, available with plastic close cap(CC) or open cap(OC) at one end. Ordering example SSUEF204-12ESB CC.  
2. Lubricated with food grade grease.

# All Stainless Steel Bearing Units **LDK**<sup>®</sup>

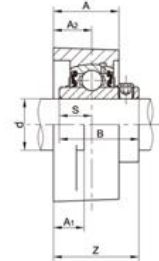
SSUCFL..EHB/ESB All stainless steel flange units 2-bolt,Hollow/Solid base,Setscrew locking



• SSUCFL200EHB (Hollow Base)



• SSUCFL200ESB (Solid Base)



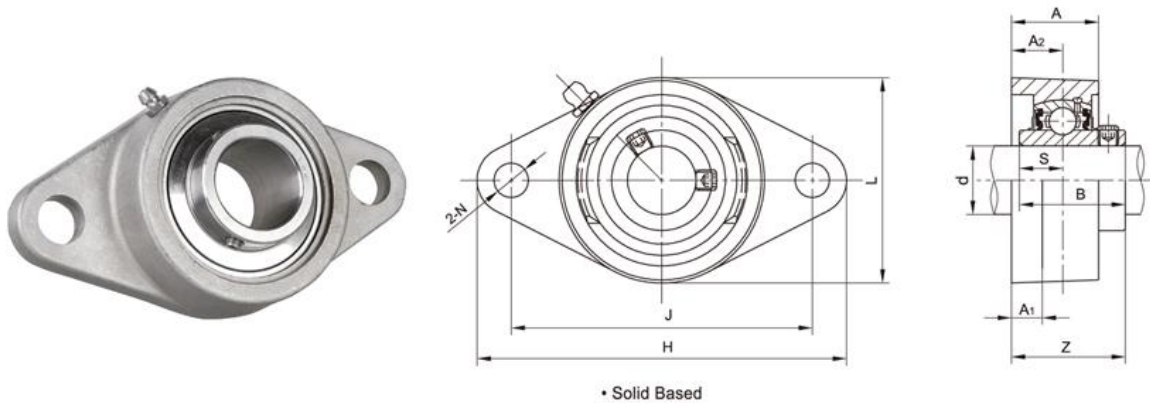
| Unit No.            |                    | Shaft Dia |      | Dimensions(mm) |     |                |                |    |      |     |      |      |      | Bolt Size (mm) | Weight (kg) |
|---------------------|--------------------|-----------|------|----------------|-----|----------------|----------------|----|------|-----|------|------|------|----------------|-------------|
| Hollow Base Housing | Solid Base Housing | d         |      | H              | J   | A <sub>2</sub> | A <sub>1</sub> | A  | N    | L   | Z    | B    | S    |                |             |
|                     |                    | (in)      | (mm) |                |     |                |                |    |      |     |      |      |      |                |             |
| SSUCFL204EHB        | SSUCFL204ESB       |           | 20   |                |     |                |                |    |      |     |      |      |      |                |             |
| 204-12EHB           | 204-12ESB          | 3/4       |      | 113            | 90  | 15             | 11.5           | 27 | 10.5 | 60  | 33.3 | 31   | 12.7 | M8             | 0.50        |
| SSUCFL205EHB        | SSUCFL205ESB       |           | 25   |                |     |                |                |    |      |     |      |      |      |                |             |
| 205-14EHB           | 205-14ESB          | 7/8       |      | 130            | 99  | 16             | 13             | 28 | 12.5 | 68  | 35.8 | 34.1 | 14.3 | M10            | 0.69        |
| 205-15EHB           | 205-15ESB          | 15/16     |      |                |     |                |                |    |      |     |      |      |      |                |             |
| 205-16EHB           | 205-16ESB          | 1         |      |                |     |                |                |    |      |     |      |      |      |                |             |
| SSUCFL206EHB        | SSUCFL206ESB       |           | 30   |                |     |                |                |    |      |     |      |      |      |                |             |
| 206-17EHB           | 206-17ESB          | 1-1/16    |      |                |     |                |                |    |      |     |      |      |      |                |             |
| 206-18EHB           | 206-18ESB          | 1-1/8     |      | 148            | 117 | 18             | 13             | 31 | 12.5 | 79  | 40.2 | 38.1 | 15.9 | M10            | 0.99        |
| 206-19EHB           | 206-19ESB          | 1-3/16    |      |                |     |                |                |    |      |     |      |      |      |                |             |
| 206-20EHB           | 206-20ESB          | 1-1/4     |      |                |     |                |                |    |      |     |      |      |      |                |             |
| SSUCFL207EHB        | SSUCFL207ESB       |           | 35   |                |     |                |                |    |      |     |      |      |      |                |             |
| 207-20EHB           | 207-20ESB          | 1-1/4     |      |                |     |                |                |    |      |     |      |      |      |                |             |
| 207-21EHB           | 207-21ESB          | 1-5/16    |      | 161            | 130 | 19             | 14.3           | 34 | 14   | 90  | 44.4 | 42.9 | 17.5 | M12            | 1.37        |
| 207-22EHB           | 207-22ESB          | 1-3/8     |      |                |     |                |                |    |      |     |      |      |      |                |             |
| 207-23EHB           | 207-23ESB          | 1-7/16    |      |                |     |                |                |    |      |     |      |      |      |                |             |
| SSUCFL208EHB        | SSUCFL208ESB       |           | 40   |                |     |                |                |    |      |     |      |      |      |                |             |
| 208-24EHB           | 208-24ESB          | 1-1/2     |      | 171            | 144 | 21             | 14.3           | 36 | 14   | 100 | 51.2 | 49.2 | 19   | M12            | 1.65        |
| 208-25EHB           | 208-25ESB          | 1-9/16    |      |                |     |                |                |    |      |     |      |      |      |                |             |
| SSUCFL209EHB        | SSUCFL209ESB       |           | 45   |                |     |                |                |    |      |     |      |      |      |                |             |
| 209-26EHB           | 209-26ESB          | 1-5/8     |      |                |     |                |                |    |      |     |      |      |      |                |             |
| 209-27EHB           | 209-27ESB          | 1-11/16   |      | 179            | 148 | 22             | 15             | 38 | 16   | 108 | 52.2 | 49.2 | 19   | M14            | 2.36        |
| 209-28EHB           | 209-28ESB          | 1-3/4     |      |                |     |                |                |    |      |     |      |      |      |                |             |
| SSUCFL210EHB        | SSUCFL210ESB       |           | 50   |                |     |                |                |    |      |     |      |      |      |                |             |
| 210-30EHB           | 210-30ESB          | 1-7/8     |      |                |     |                |                |    |      |     |      |      |      |                |             |
| 210-31EHB           | 210-31ESB          | 1-15/16   |      | 195            | 157 | 22             | 15             | 40 | 16   | 115 | 54.6 | 51.6 | 19   | M14            | 2.51        |
| 210-32EHB           | 210-32ESB          | 2         |      |                |     |                |                |    |      |     |      |      |      |                |             |
| SSUCFL211EHB        | SSUCFL211ESB       |           | 55   |                |     |                |                |    |      |     |      |      |      |                |             |
| 211-32EHB           | 211-32ESB          | 2         |      |                |     |                |                |    |      |     |      |      |      |                |             |
| 211-34EHB           | 211-34ESB          | 2-1/8     |      | 224            | 184 | 25             | 18             | 43 | 19   | 130 | 58.4 | 55.6 | 22.2 | M16            | 3.61        |
| 211-35EHB           | 211-35ESB          | 2-3/16    |      |                |     |                |                |    |      |     |      |      |      |                |             |
| SSUCFL212EHB        | SSUCFL212ESB       |           | 60   |                |     |                |                |    |      |     |      |      |      |                |             |
| 212-36EHB           | 212-36ESB          | 2-1/4     |      |                |     |                |                |    |      |     |      |      |      |                |             |
| 212-38EHB           | 212-38ESB          | 2-3/8     |      | 250            | 202 | 29             | 18             | 48 | 23   | 140 | 68.7 | 65.1 | 25.4 | M16            | 4.19        |
| 212-39EHB           | 212-39ESB          | 2-7/16    |      |                |     |                |                |    |      |     |      |      |      |                |             |

Notes: 1. Upon request, available with plastic close cap(CC) or open cap(OC) at one end. Ordering example SSUCFL204-12ESB CC.  
 2. Back seal is available when mounted with narrow inner ring SSB/SSA inserts.  
 3. Lubricated with food grade grease.



# LDK<sup>®</sup> All Stainless Steel Bearing Units

SSUCFL..A All stainless steel flange units 2-bolt and inch-based housing, Setscrew locking

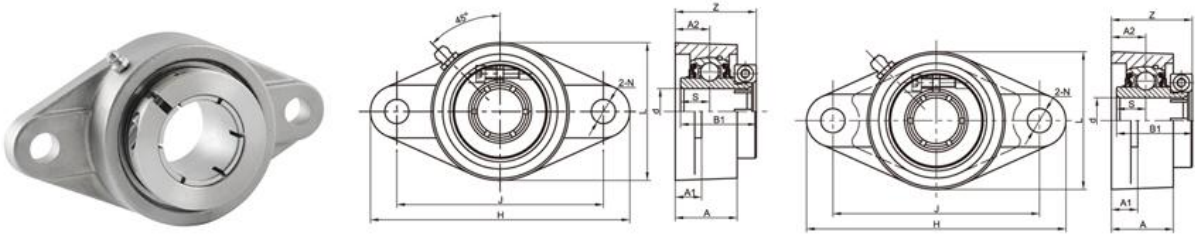


| Unit No.   | Shaft Dia                          |      | Dimensions(mm) |     |                |                |    |      |     |      |      |      | Bolt Size (mm) | Weight (kg) |
|--|------------------------------------|------|----------------|-----|----------------|----------------|----|------|-----|------|------|------|----------------|-------------|
|  | d                                  |      | H              | J   | A <sub>2</sub> | A <sub>1</sub> | A  | N    | L   | Z    | B    | S    |                |             |
|  | (in)                               | (mm) |                |     |                |                |    |      |     |      |      |      |                |             |
| SSUCFL204A<br>204-12A                                  | 3/4                                | 20   | 113            | 90  | 15             | 11             | 27 | 12   | 60  | 33.3 | 31   | 12.7 | M10            | 0.50        |
| SSUCFL205A<br>205-14A<br>205-15A<br>205-16A            | 7/8<br>15/16<br>1                  | 25   | 130            | 99  | 16             | 13             | 28 | 12.5 | 68  | 35.8 | 34.1 | 14.3 | M14            | 0.71        |
| SSUCFL206A<br>206-17A<br>206-18A<br>206-19A<br>206-20A | 1-1/16<br>1-1/8<br>1-3/16<br>1-1/4 | 30   | 148            | 117 | 18             | 13             | 31 | 12.5 | 79  | 40.2 | 38.1 | 15.9 | M14            | 1.04        |
| SSUCFL207A<br>207-20A<br>207-21A<br>207-22A<br>207-23A | 1-1/4<br>1-5/16<br>1-3/8<br>1-7/16 | 35   | 161            | 130 | 19             | 14             | 34 | 14   | 90  | 44.4 | 42.9 | 17.5 | M14            | 1.38        |
| SSUCFL208A<br>208-24A<br>208-25A                       | 1-1/2<br>1-9/16                    | 40   | 175            | 144 | 21             | 15             | 36 | 14   | 100 | 51.2 | 49.2 | 19   | M14            | 1.73        |
| SSUCFL209A<br>209-26A<br>209-27A<br>209-28A            | 1-5/8<br>1-11/16<br>1-3/4          | 45   | 187            | 148 | 22             | 16             | 38 | 16   | 108 | 52.2 | 49.2 | 19   | M16            | 2.07        |
| SSUCFL210A<br>210-30A<br>210-31A<br>210-32A            | 1-7/8<br>1-15/16<br>2              | 50   | 195            | 157 | 22             | 16             | 40 | 16   | 115 | 54.6 | 51.6 | 19   | M16            | 2.47        |

- Notes: 1. Upon request, available with plastic close cap(CC) or open cap(OC) at one end. Ordering example SSUCFL204-12A CC.  
 2. Back seal is available when mounted with narrow inner ring SSB/SSA inserts.  
 3. Hand polishing surface housing available upon request. Ordering example SSUCFL204-12A HP  
 4. Lubricated with food grade grease.

# All Stainless Steel Bearing Units **LDK**<sup>®</sup>

SSUEFL..EHB/ESB All stainless steel 2-bolt flange,Hollow/Solid base housing,Concentric locking



SSUEFL200ESB(Solid Base)

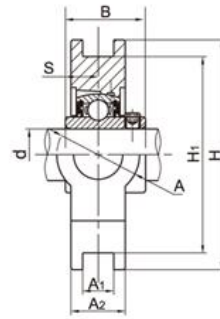
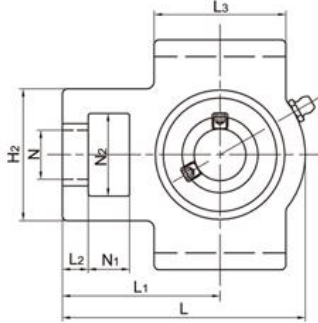
SSUEFL200EHB(Hollow Base)

| Unit No.   |  | Shaft Dia                          |      | Dimensions(mm) |     |                |                |    |      |     |      |                |      | Bolt Size (mm) | Weight (kg) |
|--|--|------------------------------------|------|----------------|-----|----------------|----------------|----|------|-----|------|----------------|------|----------------|-------------|
| Hollow Base Housing  | Solid Base Housing   | d                                  |      | H              | J   | A <sub>2</sub> | A <sub>1</sub> | A  | N    | L   | Z    | B <sub>1</sub> | S    |                |             |
|  |  | (in)                               | (mm) |                |     |                |                |    |      |     |      |                |      |                |             |
| SSUEFL204EHB<br>204-12EHB  | SSUEFL204ESB<br>204-12ESB  | 3/4                                | 20   | 113            | 90  | 15             | 11.5           | 27 | 10.5 | 60  | 35.3 | 33             | 12.7 | M8             | 0.52        |
| SSUEFL205EHB<br>205-14EHB<br>205-15EHB<br>205-16EHB              | SSUEFL205ESB<br>205-14ESB<br>205-15ESB<br>205-16ESB              | 7/8<br>15/16<br>1                  | 25   | 130            | 99  | 16             | 13             | 28 | 12.5 | 68  | 37.1 | 35.4           | 14.3 | M10            | 0.72        |
| SSUEFL206EHB<br>206-17EHB<br>206-18EHB<br>206-19EHB<br>206-20EHB | SSUEFL206ESB<br>206-17ESB<br>206-18ESB<br>206-19ESB<br>206-20ESB | 1-1/16<br>1-1/8<br>1-3/16<br>1-1/4 | 30   | 148            | 117 | 18             | 13             | 31 | 12.5 | 79  | 41.9 | 39.8           | 15.9 | M10            | 0.99        |
| SSUEFL207EHB<br>207-20EHB<br>207-21EHB<br>207-22EHB<br>207-23EHB | SSUEFL207ESB<br>207-20ESB<br>207-21ESB<br>207-22ESB<br>207-23ESB | 1-1/4<br>1-5/16<br>1-3/8<br>1-7/16 | 35   | 161            | 130 | 19             | 14.3           | 34 | 14   | 90  | 43.4 | 43.9           | 17.5 | M12            | 1.39        |
| SSUEFL208EHB<br>208-24EHB<br>208-25EHB                           | SSUEFL208ESB<br>208-24ESB<br>208-25ESB                           | 1-1/2<br>1-9/16                    | 40   | 171            | 144 | 21             | 14.3           | 36 | 14   | 100 | 52.2 | 50.2           | 19   | M12            | 1.68        |
| SSUEFL209EHB<br>209-26EHB<br>209-27EHB<br>209-28EHB              | SSUEFL209ESB<br>209-26ESB<br>209-27ESB<br>209-28ESB              | 1-5/8<br>1-11/16<br>1-3/4          | 45   | 179            | 148 | 22             | 15             | 38 | 16   | 108 | 53.2 | 50.2           | 19   | M14            | 2.43        |
| SSUEFL210EHB<br>210-30EHB<br>210-31EHB<br>210-32EHB              | SSUEFL210ESB<br>210-30ESB<br>210-31ESB<br>210-32ESB              | 1-7/8<br>1-15/16<br>2              | 50   | 195            | 157 | 22             | 15             | 40 | 16   | 115 | 55.6 | 52.6           | 19   | M14            | 2.56        |
| SSUEFL211EHB<br>211-32EHB<br>211-34EHB<br>211-35EHB              | SSUEFL211ESB<br>211-32ESB<br>211-34ESB<br>211-35ESB              | 2<br>2-1/8<br>2-3/16               | 55   | 224            | 184 | 25             | 18             | 43 | 19   | 130 | 59.4 | 56.6           | 22.2 | M16            | 3.69        |
| SSUEFL212EHB<br>212-36EHB<br>212-38EHB<br>212-39EHB              | SSUEFL212ESB<br>212-36ESB<br>212-38ESB<br>212-39ESB              | 2-1/4<br>2-3/8<br>2-7/16           | 60   | 250            | 202 | 29             | 18             | 48 | 23   | 140 | 70.2 | 66.6           | 25.4 | M16            | 4.27        |

Notes: 1. Upon request, available with plastic close cap(CC) or open cap(OC) at one end. Ordering example SSUEFL204-12ESB CC.  
2. Lubricated with food grade grease.

# LDK<sup>®</sup> All Stainless Steel Bearing Units

## SSUCT All stainless steel take up units, Setscrew locking

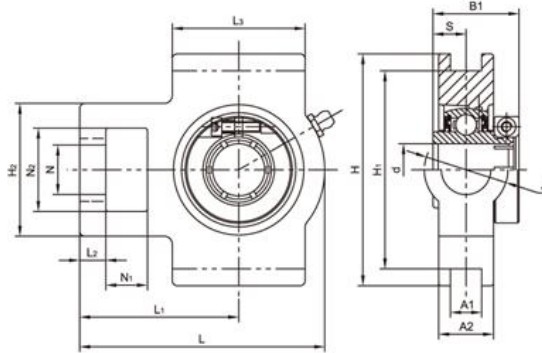


| Unit No.    | Shaft Dia |      | Dimensions(mm) |                |                |                |    |                |                |                |     |     |    |                |                |      | Weight (kg) |   |
|-------------|-----------|------|----------------|----------------|----------------|----------------|----|----------------|----------------|----------------|-----|-----|----|----------------|----------------|------|-------------|---|
|             | d         |      | N <sub>1</sub> | L <sub>2</sub> | H <sub>2</sub> | N <sub>2</sub> | N  | L <sub>3</sub> | A <sub>1</sub> | H <sub>1</sub> | H   | L   | A  | A <sub>2</sub> | L <sub>1</sub> | B    |             | S |
|             | (in)      | (mm) |                |                |                |                |    |                |                |                |     |     |    |                |                |      |             |   |
| SSUCT204    |           | 20   |                |                |                |                |    |                |                |                |     |     |    |                |                |      |             |   |
| SSUCT204-12 | 3/4       |      | 16             | 10             | 51             | 32             | 19 | 51             | 12             | 76             | 89  | 94  | 32 | 21             | 61             | 31   | 12.7        |   |
| SSUCT205    |           | 25   |                |                |                |                |    |                |                |                |     |     |    |                |                |      |             |   |
| SSUCT205-14 | 7/8       |      |                |                |                |                |    |                |                |                |     |     |    |                |                |      |             |   |
| SSUCT205-15 | 15/16     |      | 16             | 10             | 51             | 32             | 19 | 51             | 12             | 76             | 89  | 97  | 32 | 24             | 62             | 34.1 | 14.3        |   |
| SSUCT205-16 | 1         |      |                |                |                |                |    |                |                |                |     |     |    |                |                |      |             |   |
| SSUCT206    |           | 30   |                |                |                |                |    |                |                |                |     |     |    |                |                |      |             |   |
| SSUCT206-17 | 1-1/16    |      |                |                |                |                |    |                |                |                |     |     |    |                |                |      |             |   |
| SSUCT206-18 | 1-1/8     |      | 16             | 10             | 56             | 37             | 22 | 57             | 12             | 89             | 102 | 113 | 37 | 28             | 70             | 38.1 | 15.9        |   |
| SSUCT206-19 | 1-3/16    |      |                |                |                |                |    |                |                |                |     |     |    |                |                |      |             |   |
| SSUCT206-20 | 1-1/4     |      |                |                |                |                |    |                |                |                |     |     |    |                |                |      |             |   |
| SSUCT207    |           | 35   |                |                |                |                |    |                |                |                |     |     |    |                |                |      |             |   |
| SSUCT207-20 | 1-1/4     |      |                |                |                |                |    |                |                |                |     |     |    |                |                |      |             |   |
| SSUCT207-21 | 1-5/16    |      | 16             | 13             | 64             | 37             | 22 | 64             | 12             | 89             | 102 | 129 | 37 | 30             | 78             | 42.9 | 17.5        |   |
| SSUCT207-22 | 1-3/8     |      |                |                |                |                |    |                |                |                |     |     |    |                |                |      |             |   |
| SSUCT207-23 | 1-7/16    |      |                |                |                |                |    |                |                |                |     |     |    |                |                |      |             |   |
| SSUCT208    |           | 40   |                |                |                |                |    |                |                |                |     |     |    |                |                |      |             |   |
| SSUCT208-24 | 1-1/2     |      | 19             | 16             | 83             | 49             | 29 | 83             | 16             | 102            | 114 | 144 | 49 | 33             | 88             | 49.2 | 19          |   |
| SSUCT208-25 | 1-9/16    |      |                |                |                |                |    |                |                |                |     |     |    |                |                |      |             |   |
| SSUCT209    |           | 45   |                |                |                |                |    |                |                |                |     |     |    |                |                |      |             |   |
| SSUCT209-26 | 1-5/8     |      | 19             | 16             | 83             | 49             | 29 | 83             | 16             | 102            | 117 | 144 | 49 | 35             | 87             | 49.2 | 19          |   |
| SSUCT209-27 | 1-11/16   |      |                |                |                |                |    |                |                |                |     |     |    |                |                |      |             |   |
| SSUCT209-28 | 1-3/4     |      |                |                |                |                |    |                |                |                |     |     |    |                |                |      |             |   |
| SSUCT210    |           | 50   |                |                |                |                |    |                |                |                |     |     |    |                |                |      |             |   |
| SSUCT210-30 | 1-7/8     |      | 19             | 16             | 83             | 49             | 29 | 86             | 16             | 102            | 117 | 149 | 49 | 37             | 90             | 51.6 | 19          |   |
| SSUCT210-31 | 1-15/16   |      |                |                |                |                |    |                |                |                |     |     |    |                |                |      |             |   |
| SSUCT210-32 | 2         |      |                |                |                |                |    |                |                |                |     |     |    |                |                |      |             |   |
| SSUCT211    |           | 55   |                |                |                |                |    |                |                |                |     |     |    |                |                |      |             |   |
| SSUCT211-32 | 2         |      | 25             | 19             | 102            | 64             | 35 | 95             | 22             | 130            | 146 | 171 | 64 | 38             | 106            | 55.6 | 22.2        |   |
| SSUCT211-34 | 2-1/8     |      |                |                |                |                |    |                |                |                |     |     |    |                |                |      |             |   |
| SSUCT211-35 | 2-3/16    |      |                |                |                |                |    |                |                |                |     |     |    |                |                |      |             |   |
| SSUCT212    |           | 60   |                |                |                |                |    |                |                |                |     |     |    |                |                |      |             |   |
| SSUCT212-36 | 2-1/4     |      | 32             | 19             | 102            | 64             | 35 | 102            | 22             | 130            | 146 | 194 | 64 | 42             | 119            | 65.1 | 25.4        |   |
| SSUCT212-38 | 2-3/8     |      |                |                |                |                |    |                |                |                |     |     |    |                |                |      |             |   |
| SSUCT212-39 | 2-7/16    |      |                |                |                |                |    |                |                |                |     |     |    |                |                |      |             |   |

Notes: 1. Upon request, available with plastic close cap(CC) or open cap(OC) at one end. Ordering example SSUCT204-12 CC.  
2. Lubricated with food grade grease.

# All Stainless Steel Bearing Units **LDK**<sup>®</sup>

SSUET All stainless steel take up units, Concentric locking

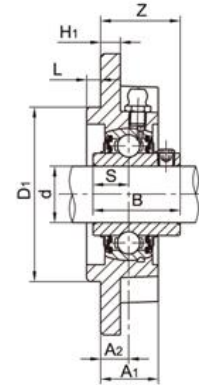
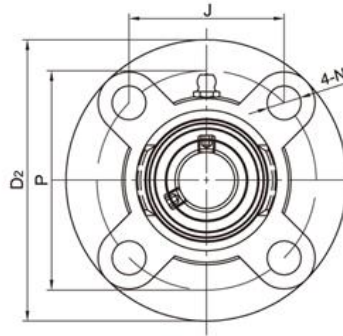


| Unit No.    | Shaft Dia |      | Dimensions(mm) |                |                |                |    |                |                |                |     |     |    |                |                |                |      | Weight (kg) |
|-------------|-----------|------|----------------|----------------|----------------|----------------|----|----------------|----------------|----------------|-----|-----|----|----------------|----------------|----------------|------|-------------|
|             | d         |      | N <sub>1</sub> | L <sub>2</sub> | H <sub>2</sub> | N <sub>2</sub> | N  | L <sub>3</sub> | A <sub>1</sub> | H <sub>1</sub> | H   | L   | A  | A <sub>2</sub> | L <sub>1</sub> | B <sub>1</sub> | S    |             |
|             | (in)      | (mm) |                |                |                |                |    |                |                |                |     |     |    |                |                |                |      |             |
| SSUET204    |           | 20   | 16             | 10             | 51             | 32             | 19 | 51             | 12             | 76             | 89  | 94  | 32 | 21             | 61             | 33             | 12.7 | 0.82        |
| SSUET204-12 | 3/4       |      |                |                |                |                |    |                |                |                |     |     |    |                |                |                |      |             |
| SSUET205    |           | 25   |                |                |                |                |    |                |                |                |     |     |    |                |                |                |      |             |
| SSUET205-14 | 7/8       |      |                |                |                |                |    |                |                |                |     |     |    |                |                |                |      |             |
| SSUET205-15 | 15/16     |      | 16             | 10             | 51             | 32             | 19 | 51             | 12             | 76             | 89  | 97  | 32 | 24             | 62             | 35.4           | 14.3 | 0.89        |
| SSUET205-16 | 1         |      |                |                |                |                |    |                |                |                |     |     |    |                |                |                |      |             |
| SSUET206    |           | 30   |                |                |                |                |    |                |                |                |     |     |    |                |                |                |      |             |
| SSUET206-17 | 1-1/16    |      |                |                |                |                |    |                |                |                |     |     |    |                |                |                |      |             |
| SSUET206-18 | 1-1/8     |      | 16             | 10             | 56             | 37             | 22 | 57             | 12             | 89             | 102 | 113 | 37 | 28             | 70             | 39.8           | 15.9 | 1.38        |
| SSUET206-19 | 1-3/16    |      |                |                |                |                |    |                |                |                |     |     |    |                |                |                |      |             |
| SSUET206-20 | 1-1/4     |      |                |                |                |                |    |                |                |                |     |     |    |                |                |                |      |             |
| SSUET207    |           | 35   |                |                |                |                |    |                |                |                |     |     |    |                |                |                |      |             |
| SSUET207-20 | 1-1/4     |      |                |                |                |                |    |                |                |                |     |     |    |                |                |                |      |             |
| SSUET207-21 | 1-5/16    |      | 16             | 13             | 64             | 37             | 22 | 64             | 12             | 89             | 102 | 129 | 37 | 30             | 78             | 43.9           | 17.5 | 1.75        |
| SSUET207-22 | 1-3/8     |      |                |                |                |                |    |                |                |                |     |     |    |                |                |                |      |             |
| SSUET207-23 | 1-7/16    |      |                |                |                |                |    |                |                |                |     |     |    |                |                |                |      |             |
| SSUET208    |           | 40   |                |                |                |                |    |                |                |                |     |     |    |                |                |                |      |             |
| SSUET208-24 | 1-1/2     |      | 19             | 16             | 83             | 49             | 29 | 83             | 16             | 102            | 114 | 144 | 49 | 33             | 88             | 50.2           | 19   | 2.55        |
| SSUET208-25 | 1-9/16    |      |                |                |                |                |    |                |                |                |     |     |    |                |                |                |      |             |
| SSUET209    |           | 45   |                |                |                |                |    |                |                |                |     |     |    |                |                |                |      |             |
| SSUET209-26 | 1-5/8     |      | 19             | 16             | 83             | 49             | 29 | 83             | 16             | 102            | 117 | 144 | 49 | 35             | 87             | 50.2           | 19   | 2.57        |
| SSUET209-27 | 1-11/16   |      |                |                |                |                |    |                |                |                |     |     |    |                |                |                |      |             |
| SSUET209-28 | 1-3/4     |      |                |                |                |                |    |                |                |                |     |     |    |                |                |                |      |             |
| SSUET210    |           | 50   |                |                |                |                |    |                |                |                |     |     |    |                |                |                |      |             |
| SSUET210-30 | 1-7/8     |      | 19             | 16             | 83             | 49             | 29 | 86             | 16             | 102            | 117 | 149 | 49 | 37             | 90             | 52.6           | 19   | 2.74        |
| SSUET210-31 | 1-15/16   |      |                |                |                |                |    |                |                |                |     |     |    |                |                |                |      |             |
| SSUET210-32 | 2         |      |                |                |                |                |    |                |                |                |     |     |    |                |                |                |      |             |
| SSUET211    |           | 55   |                |                |                |                |    |                |                |                |     |     |    |                |                |                |      |             |
| SSUET211-32 | 2         |      | 25             | 19             | 102            | 64             | 35 | 95             | 22             | 130            | 146 | 171 | 64 | 38             | 106            | 56.6           | 22.2 | 4.12        |
| SSUET211-34 | 2-1/8     |      |                |                |                |                |    |                |                |                |     |     |    |                |                |                |      |             |
| SSUET211-35 | 2-3/16    |      |                |                |                |                |    |                |                |                |     |     |    |                |                |                |      |             |
| SSUET212    |           | 60   |                |                |                |                |    |                |                |                |     |     |    |                |                |                |      |             |
| SSUET212-36 | 2-1/4     |      | 32             | 19             | 102            | 64             | 35 | 102            | 22             | 130            | 146 | 194 | 64 | 42             | 119            | 66.6           | 25.4 | 5.08        |
| SSUET212-38 | 2-3/8     |      |                |                |                |                |    |                |                |                |     |     |    |                |                |                |      |             |
| SSUET212-39 | 2-7/16    |      |                |                |                |                |    |                |                |                |     |     |    |                |                |                |      |             |

Notes: 1. Upon request, available with plastic close cap (CC) or open cap (OC) at one end. Ordering example SSUET204-12 CC.  
 2. Lubricated with food grade grease.

# LDK<sup>®</sup> All Stainless Steel Bearing Units

## SSUCFC All stainless steel flange cartridge units, Setscrew locking

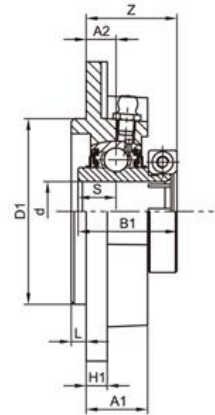
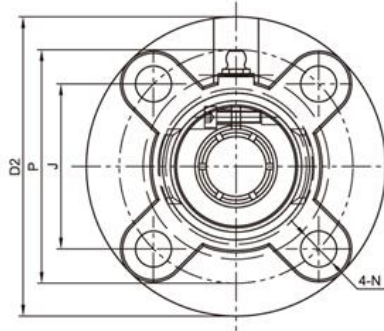


| Unit No.  | Shaft Dia                          |        | Dimensions(mm) |     |       |    |    |    |    |      |     |      |      | Bolt Size (mm) | Weight (kg) |      |
|---|------------------------------------|--------|----------------|-----|-------|----|----|----|----|------|-----|------|------|----------------|-------------|------|
|   | d (in)                             | d (mm) | D2             | P   | J     | A2 | N  | L  | H1 | A1   | D1  | B    | S    |                |             | Z    |
| SSUCFC204<br>204-12                               | 3/4                                | 20     | 100            | 78  | 55.1  | 10 | 12 | 5  | 7  | 20.5 | 62  | 31   | 12.7 | 28.3           | M10         | 0.77 |
| SSUCFC205<br>205-14<br>205-15<br>205-16           | 7/8<br>15/16<br>1                  | 25     | 115            | 90  | 63.6  | 10 | 12 | 6  | 7  | 21   | 70  | 34.1 | 14.3 | 29.7           | M10         | 1.13 |
| SSUCFC206<br>206-17<br>206-18<br>206-19<br>206-20 | 1-1/16<br>1-1/8<br>1-3/16<br>1-1/4 | 30     | 125            | 100 | 70.7  | 10 | 12 | 8  | 8  | 23   | 80  | 38.1 | 15.9 | 32.2           | M10         | 1.47 |
| SSUCFC207<br>207-20<br>207-21<br>207-22<br>207-23 | 1-1/4<br>1-5/16<br>1-3/8<br>1-7/16 | 35     | 135            | 110 | 77.8  | 11 | 14 | 8  | 9  | 26   | 90  | 42.9 | 17.5 | 36.4           | M12         | 1.86 |
| SSUCFC208<br>208-24<br>208-25                     | 1-1/2<br>1-9/16                    | 40     | 145            | 120 | 84.8  | 11 | 14 | 10 | 9  | 26   | 100 | 49.2 | 19   | 41.2           | M12         | 2.17 |
| SSUCFC209<br>209-26<br>209-27<br>209-28           | 1-5/8<br>1-11/16<br>1-3/4          | 45     | 160            | 132 | 93.3  | 10 | 16 | 12 | 10 | 26   | 105 | 49.2 | 19   | 40.2           | M14         | 2.50 |
| SSUCFC210<br>210-30<br>210-31<br>210-32           | 1-7/8<br>1-15/16<br>2              | 50     | 165            | 138 | 97.6  | 10 | 16 | 12 | 14 | 28   | 110 | 51.6 | 19   | 42.6           | M14         | 2.95 |
| SSUCFC211<br>211-32<br>211-34<br>211-35           | 2<br>2-1/8<br>2-3/16               | 55     | 185            | 150 | 106.1 | 13 | 19 | 12 | 13 | 30   | 125 | 55.6 | 22.2 | 46.4           | M16         | 4.00 |
| SSUCFC212<br>212-36<br>212-38<br>212-39           | 2-1/4<br>2-3/8<br>2-7/16           | 60     | 195            | 160 | 113.1 | 17 | 19 | 12 | 15 | 35   | 135 | 65.1 | 25.4 | 56.7           | M16         | 4.90 |

Notes: 1. Upon request, available with plastic close cap(CC) or open cap(OC) at one end. Ordering example SSUCFC204-12 CC.  
2. Lubricated with food grade grease.

# All Stainless Steel Bearing Units **LDK**<sup>®</sup>

SSUEFC All stainless steel flange cartridge units, Concentric locking

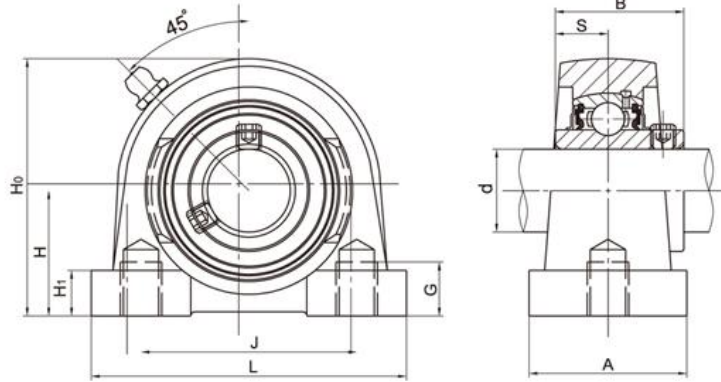


| Unit No.  | Shaft Dia                          |      | Dimensions(mm) |     |       |                |    |    |                |                |                |                |      | Bolt Size (mm) | Weight (kg) |      |
|---|------------------------------------|------|----------------|-----|-------|----------------|----|----|----------------|----------------|----------------|----------------|------|----------------|-------------|------|
|   | d                                  |      | D <sub>2</sub> | P   | J     | A <sub>2</sub> | N  | L  | H <sub>1</sub> | A <sub>1</sub> | D <sub>1</sub> | B <sub>1</sub> | S    |                |             | Z    |
|   | (in)                               | (mm) |                |     |       |                |    |    |                |                |                |                |      |                |             |      |
| SSUEFC204<br>204-12                               | 3/4                                | 20   | 100            | 78  | 55.1  | 10             | 12 | 5  | 7              | 20.5           | 62             | 33             | 12.7 | 30.3           | M10         | 0.79 |
| SSUEFC205<br>205-14<br>205-15<br>205-16           | 7/8<br>15/16<br>1                  | 25   | 115            | 90  | 63.6  | 10             | 12 | 6  | 7              | 21             | 70             | 35.4           | 14.3 | 31             | M10         | 1.16 |
| SSUEFC206<br>206-17<br>206-18<br>206-19<br>206-20 | 1-1/16<br>1-1/8<br>1-3/16<br>1-1/4 | 30   | 125            | 100 | 70.7  | 10             | 12 | 8  | 8              | 23             | 80             | 39.8           | 15.9 | 33.9           | M10         | 1.47 |
| SSUEFC207<br>207-20<br>207-21<br>207-22<br>207-23 | 1-1/4<br>1-5/16<br>1-3/8<br>1-7/16 | 35   | 135            | 110 | 77.8  | 11             | 14 | 8  | 9              | 26             | 90             | 43.9           | 17.5 | 37.4           | M12         | 1.88 |
| SSUEFC208<br>208-24<br>208-25                     | 1-1/2<br>1-9/16                    | 40   | 145            | 120 | 84.8  | 11             | 14 | 10 | 9              | 26             | 100            | 50.2           | 19   | 42.2           | M12         | 2.2  |
| SSUEFC209<br>209-26<br>209-27<br>209-28           | 1-5/8<br>1-11/16<br>1-3/4          | 45   | 160            | 132 | 93.3  | 10             | 16 | 12 | 10             | 26             | 105            | 50.2           | 19   | 41.2           | M14         | 2.57 |
| SSUEFC210<br>210-30<br>210-31<br>210-32           | 1-7/8<br>1-15/16<br>2              | 50   | 165            | 138 | 97.6  | 10             | 16 | 12 | 14             | 28             | 110            | 52.6           | 19   | 43.6           | M14         | 3    |
| SSUEFC211<br>211-32<br>211-34<br>211-35           | 2<br>2-1/8<br>2-3/16               | 55   | 185            | 150 | 106.1 | 13             | 19 | 12 | 13             | 30             | 125            | 56.6           | 22.2 | 47.4           | M16         | 4.08 |
| SSUEFC212<br>212-36<br>212-38<br>212-39           | 2-1/4<br>2-3/8<br>2-7/16           | 60   | 195            | 160 | 113.1 | 17             | 19 | 12 | 15             | 35             | 135            | 66.6           | 25.4 | 58.2           | M16         | 4.98 |

Notes: 1. Upon request, available with plastic close cap(CC) or open cap(OC) at one end. Ordering example SSUEFC204-12 CC  
2. Lubricated with food grade grease.

# LDK<sup>®</sup> All Stainless Steel Bearing Units

SSUCPA All stainless steel pillow blocks tapped base, Setscrew locking

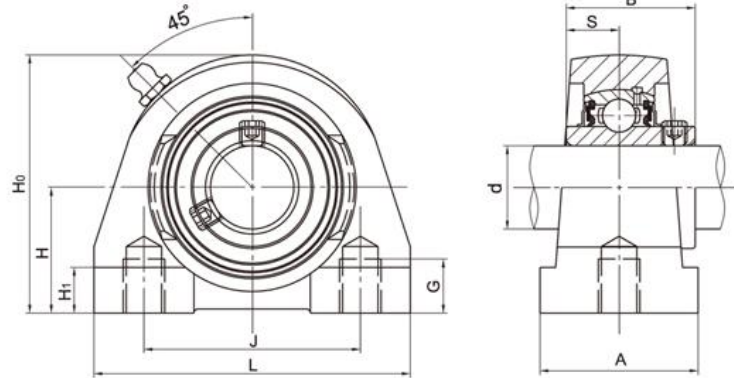


| Unit No.  | Shaft Dia                          |      | Dimensions(mm) |     |    |    |    |    |     |      |      | Bolt Size (mm) | Weight (kg) |
|---|------------------------------------|------|----------------|-----|----|----|----|----|-----|------|------|----------------|-------------|
|   | d                                  |      | H              | L   | J  | A  | G  | H1 | H0  | B    | S    |                |             |
|   | (in)                               | (mm) |                |     |    |    |    |    |     |      |      |                |             |
| SSUCPA204<br>204-12                               | 3/4                                | 20   | 30.2           | 76  | 52 | 38 | 13 | 11 | 62  | 31.0 | 12.7 | M10            | 0.62        |
| SSUCPA205<br>205-14<br>205-15<br>205-16           | 7/8<br>15/16<br>1                  | 25   | 36.5           | 84  | 56 | 38 | 15 | 12 | 72  | 34.1 | 14.3 | M10            | 0.78        |
| SSUCPA206<br>206-17<br>206-18<br>206-19<br>206-20 | 1-1/16<br>1-1/8<br>1-3/16<br>1-1/4 | 30   | 42.9           | 94  | 66 | 48 | 18 | 12 | 84  | 38.1 | 15.9 | M14            | 1.24        |
| SSUCPA207<br>207-20<br>207-21<br>207-22<br>207-23 | 1-1/4<br>1-5/16<br>1-3/8<br>1-7/16 | 35   | 47.6           | 110 | 80 | 48 | 20 | 13 | 95  | 42.9 | 17.5 | M14            | 1.70        |
| SSUCPA208<br>208-24<br>208-25                     | 1-1/2<br>1-9/16                    | 40   | 49.2           | 116 | 84 | 54 | 20 | 13 | 100 | 49.2 | 19.0 | M14            | 1.90        |
| SSUCPA209<br>209-26<br>209-27<br>209-28           | 1-5/8<br>1-11/16<br>1-3/4          | 45   | 54.2           | 120 | 90 | 54 | 25 | 13 | 108 | 49.2 | 19.0 | M14            | 2.20        |
| SSUCPA210<br>210-30<br>210-31<br>210-32           | 1-7/8<br>1-15/16<br>2              | 50   | 57.2           | 130 | 94 | 60 | 25 | 14 | 116 | 51.6 | 19.0 | M16            | 2.60        |

Notes: 1. Upon request, available with plastic close cap(CC) or open cap(OC) at one end. Ordering example SSUCPA204-12 CC.  
2. Lubricated with food grade grease.

# All Stainless Steel Bearing Units **LDK**<sup>®</sup>

**SSUCPA..A** All stainless steel pillow blocks tapped base and inch-based housing, Setscrew locking



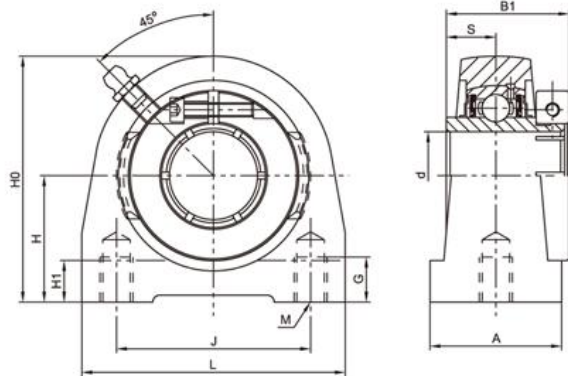
| Unit No.   | Shaft Dia                          |      | Dimensions(mm) |     |       |    |    |    |     |      | Bolt Size (mm) | Weight (kg) |      |
|--|------------------------------------|------|----------------|-----|-------|----|----|----|-----|------|----------------|-------------|------|
|  | d                                  |      | H              | L   | J     | A  | G  | H1 | H0  | B    |                |             | S    |
|  | (in)                               | (mm) |                |     |       |    |    |    |     |      |                |             |      |
| SSUCPA204A<br>204-12A                                  | 3/4                                | 20   | 33.3           | 73  | 50.8  | 38 | 13 | 12 | 65  | 31   | 12.7           | 3/8"-16     | 0.69 |
| SSUCPA205A<br>205-14A<br>205-15A<br>205-16A            | 7/8<br>15/16<br>1                  | 25   | 36.5           | 76  | 50.8  | 38 | 13 | 12 | 71  | 34.1 | 14.3           | 3/8"-16     | 0.77 |
| SSUCPA206A<br>206-17A<br>206-18A<br>206-19A<br>206-20A | 1-1/16<br>1-1/8<br>1-3/16<br>1-1/4 | 30   | 42.9           | 102 | 76.2  | 38 | 16 | 12 | 86  | 38.1 | 15.9           | 7/16"-14    | 1.33 |
| SSUCPA207A<br>207-20A<br>207-21A<br>207-22A<br>207-23A | 1-1/4<br>1-5/16<br>1-3/8<br>1-7/16 | 35   | 47.6           | 108 | 82.6  | 48 | 19 | 13 | 95  | 42.9 | 17.5           | 1/2"-13     | 1.72 |
| SSUCPA208A<br>208-24A<br>208-25A                       | 1-1/2<br>1-9/16                    | 40   | 49.2           | 117 | 88.9  | 48 | 19 | 13 | 100 | 49.2 | 19.0           | 1/2"-13     | 2.09 |
| SSUCPA209A<br>209-26A<br>209-27A<br>209-28A            | 1-5/8<br>1-11/16<br>1-3/4          | 45   | 54.2           | 127 | 95.3  | 51 | 19 | 13 | 108 | 49.2 | 19.0           | 1/2"-13     | 2.50 |
| SSUCPA210A<br>210-30A<br>210-31A<br>210-32A            | 1-7/8<br>1-15/16<br>2              | 50   | 57.2           | 140 | 101.6 | 51 | 22 | 14 | 117 | 51.6 | 19.0           | 5/8"-11     | 3.10 |

Notes: 1. Upon request, available with plastic close cap(CC) or open cap(OC) at one end. Ordering example SSUCPA204-12A CC.  
2. Lubricated with food grade grease.



# LDK<sup>®</sup> All Stainless Steel Bearing Units

SSUEPA..A All stainless steel pillow blocks tapped base and inch-based housing,Concertric locking

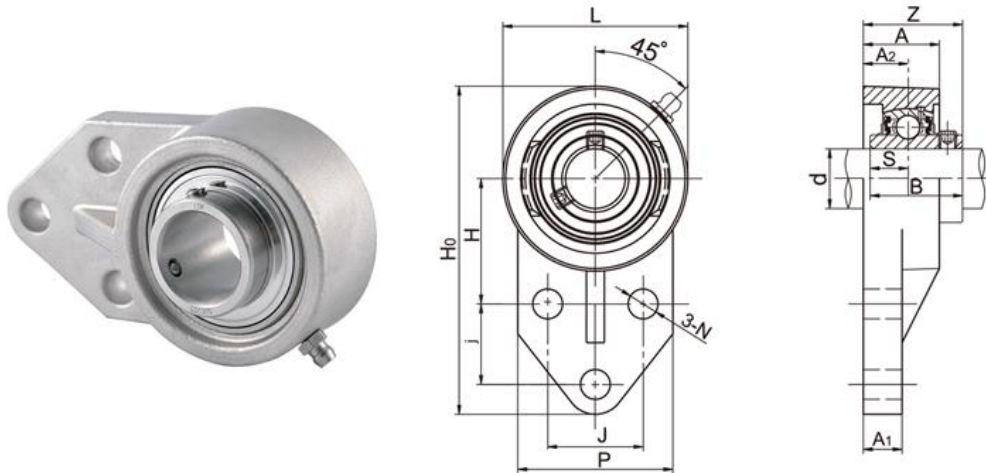


| Unit No.   | Shaft Dia                          |      | Dimensions(mm) |     |       |    |    |    |     |      |      |          | Weight (kg) |
|--|------------------------------------|------|----------------|-----|-------|----|----|----|-----|------|------|----------|-------------|
|  | d                                  |      | H              | L   | J     | A  | G  | H1 | H0  | B1   | S    | M        |             |
|  | (in)                               | (mm) |                |     |       |    |    |    |     |      |      |          |             |
| SSUEPA204A<br>204-12A                                  | 3/4                                | 20   | 33.3           | 73  | 50.8  | 38 | 13 | 12 | 65  | 33   | 12.7 | 3/8"-16  | 0.71        |
| SSUEPA205A<br>205-14A<br>205-15A<br>205-16A            | 7/8<br>15/16<br>1                  | 25   | 36.5           | 76  | 50.8  | 38 | 13 | 12 | 71  | 35.4 | 14.3 | 3/8"-16  | 0.8         |
| SSUEPA206A<br>206-17A<br>206-18A<br>206-19A<br>206-20A | 1-1/16<br>1-1/8<br>1-3/16<br>1-1/4 | 30   | 42.9           | 102 | 76.2  | 38 | 16 | 12 | 86  | 39.8 | 15.9 | 7/16"-14 | 1.33        |
| SSUEPA207A<br>207-20A<br>207-21A<br>207-22A<br>207-23A | 1-1/4<br>1-5/16<br>1-3/8<br>1-7/16 | 35   | 47.6           | 108 | 82.6  | 48 | 19 | 13 | 95  | 43.9 | 17.5 | 1/2"-13  | 1.74        |
| SSUEPA208A<br>208-24A<br>208-25A                       | 1-1/2<br>1-9/16                    | 40   | 49.2           | 117 | 88.9  | 48 | 19 | 13 | 100 | 50.2 | 19.0 | 1/2"-13  | 2.12        |
| SSUEPA209A<br>209-26A<br>209-27A<br>209-28A            | 1-5/8<br>1-11/16<br>1-3/4          | 45   | 54.2           | 127 | 95.3  | 51 | 19 | 13 | 108 | 50.2 | 19.0 | 1/2"-13  | 2.57        |
| SSUEPA210A<br>210-30A<br>210-31A<br>210-32A            | 1-7/8<br>1-15/16<br>2              | 50   | 57.2           | 140 | 101.6 | 51 | 22 | 14 | 117 | 52.6 | 19.0 | 5/8"-11  | 3.15        |

Notes: 1. Upon request, available with plastic close cap(CC) or open cap(OC) at one end. Ordering example SSUEPA204-12A CC.  
2. Lubricated with food grade grease.

# All Stainless Steel Bearing Units **LDK**<sup>®</sup>

SSUCFB..A All stainless steel flange bracket units and inch-based housing, Setscrew locking

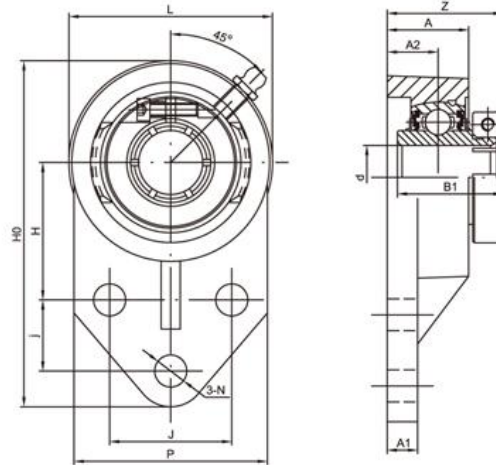


| Unit No.   | Shaft Dia                          |        | Dimensions(mm) |      |      |      |                |                |      |    |      |      |      |      |      | Bolt Size (mm) | Weight (kg) |
|--|------------------------------------|--------|----------------|------|------|------|----------------|----------------|------|----|------|------|------|------|------|----------------|-------------|
|  | d (in)                             | d (mm) | H <sub>0</sub> | H    | J    | j    | A <sub>2</sub> | A <sub>1</sub> | A    | N  | L    | P    | B    | S    | Z    |                |             |
| SSUCFB204A<br>204-12A                                  | 3/4                                | 20     | 108            | 42.9 | 38.1 | 22.2 | 15.9           | 9.5            | 25.4 | 10 | 63.5 | 60.3 | 31   | 12.7 | 34.2 | M8             | 0.58        |
| SSUCFB205A<br>205-14A<br>205-15A<br>205-16A            | 7/8<br>15/16<br>1                  | 25     | 120.7          | 46   | 41.6 | 28.6 | 16.7           | 11.1           | 29.4 | 10 | 69.1 | 63.5 | 34.1 | 14.3 | 36.4 | M8             | 0.73        |
| SSUCFB206A<br>206-17A<br>206-18A<br>206-19A<br>206-20A | 1-1/16<br>1-1/8<br>1-3/16<br>1-1/4 | 30     | 136.5          | 52.4 | 47.6 | 31.8 | 18.7           | 11.1           | 33.3 | 10 | 82.6 | 70   | 38.1 | 15.9 | 40.8 | M8             | 1.13        |
| SSUCFB207A<br>207-20A<br>207-21A<br>207-22A<br>207-23A | 1-1/4<br>1-5/16<br>1-3/8<br>1-7/16 | 35     | 155.6          | 60.3 | 50.8 | 31.8 | 21             | 14.3           | 37.3 | 13 | 94.5 | 82.6 | 42.9 | 17.5 | 46.4 | M10            | 1.70        |

Notes: 1. Upon request, available with plastic close cap(CC) or open cap(OC) at one end. Ordering example SSUCFB204-12A CC.  
2. Lubricated with food grade grease.

# LDK<sup>®</sup> All Stainless Steel Bearing Units

SSUEFB..A All stainless steel flange bracket units and inch-based housing, Concentric locking



| Unit No.   | Shaft Dia                          |      | Dimensions(mm) |      |      |      |                |                |      |    |      |      |                |      |      | Bolt Size (mm) | Weight (kg) |
|--|------------------------------------|------|----------------|------|------|------|----------------|----------------|------|----|------|------|----------------|------|------|----------------|-------------|
|  | d                                  |      | H <sub>0</sub> | H    | J    | j    | A <sub>2</sub> | A <sub>1</sub> | A    | N  | L    | P    | B <sub>1</sub> | S    | Z    |                |             |
|  | (in)                               | (mm) |                |      |      |      |                |                |      |    |      |      |                |      |      |                |             |
| SSUEFB204A<br>204-12A                                  | 3/4                                | 20   | 108            | 42.9 | 38.1 | 22.2 | 15.9           | 9.5            | 25.4 | 10 | 63.5 | 60.3 | 33             | 12.7 | 36.2 | M8             | 0.60        |
| SSUEFB205A<br>205-14A<br>205-15A<br>205-16A            | 7/8<br>15/16<br>1                  | 25   | 120.7          | 46   | 41.6 | 28.6 | 16.7           | 11.1           | 29.4 | 10 | 69.1 | 63.5 | 35.4           | 14.3 | 37.7 | M8             | 0.80        |
| SSUEFB206A<br>206-17A<br>206-18A<br>206-19A<br>206-20A | 1-1/16<br>1-1/8<br>1-3/16<br>1-1/4 | 30   | 136.5          | 52.4 | 47.6 | 31.8 | 18.7           | 11.1           | 33.3 | 10 | 82.6 | 70   | 39.8           | 15.9 | 42.5 | M8             | 1.13        |
| SSUEFB207A<br>207-20A<br>207-21A<br>207-22A<br>207-23A | 1-1/4<br>1-5/16<br>1-3/8<br>1-7/16 | 35   | 155.6          | 60.3 | 50.8 | 31.8 | 21             | 14.3           | 37.3 | 13 | 94.5 | 82.6 | 43.9           | 17.5 | 47.4 | M10            | 1.70        |

Notes: 1. Upon request, available with plastic close cap(CC) or open cap(OC) at one end. Ordering example SSUEFB204-12A CC.  
2. Lubricated with food grade grease.