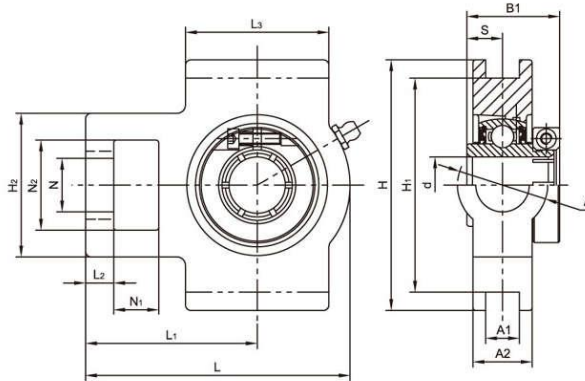


# All Stainless Steel Bearing Units **LDK**<sup>®</sup>

SSUET All stainless steel take up units, Concentric locking



Unit No.	Shaft Dia		Dimensions(mm)														Weight (kg)	
	d		N1	L2	H2	N2	N	L3	A1	H1	H	L	A	A2	L1	B1		S
	(in)	(mm)																
SSUET204		20	16	10	51	32	19	51	12	76	89	94	32	21	61	33	12.7	0.82
SSUET204-12	3/4																	
SSUET205		25																0.89
SSUET205-14	7/8																	
SSUET205-15	15/16		16	10	51	32	19	51	12	76	89	97	32	24	62	35.4	14.3	
SSUET205-16	1																	
SSUET206		30																1.38
SSUET206-17	1-1/16																	
SSUET206-18	1-1/8		16	10	56	37	22	57	12	89	102	113	37	28	70	39.8	15.9	
SSUET206-19	1-3/16																	
SSUET206-20	1-1/4																	
SSUET207		35																1.75
SSUET207-20	1-1/4																	
SSUET207-21	1-5/16		16	13	64	37	22	64	12	89	102	129	37	30	78	43.9	17.5	
SSUET207-22	1-3/8																	
SSUET207-23	1-7/16																	
SSUET208		40																2.55
SSUET208-24	1-1/2		19	16	83	49	29	83	16	102	114	144	49	33	88	50.2	19	
SSUET208-25	1-9/16																	
SSUET209		45																2.57
SSUET209-26	1-5/8		19	16	83	49	29	83	16	102	117	144	49	35	87	50.2	19	
SSUET209-27	1-11/16																	
SSUET209-28	1-3/4																	
SSUET210		50																2.74
SSUET210-30	1-7/8		19	16	83	49	29	86	16	102	117	149	49	37	90	52.6	19	
SSUET210-31	1-15/16																	
SSUET210-32	2																	
SSUET211		55																4.12
SSUET211-32	2		25	19	102	64	35	95	22	130	146	171	64	38	106	56.6	22.2	
SSUET211-34	2-1/8																	
SSUET211-35	2-3/16																	
SSUET212		60																5.08
SSUET212-36	2-1/4		32	19	102	64	35	102	22	130	146	194	64	42	119	66.6	25.4	
SSUET212-38	2-3/8																	
SSUET212-39	2-7/16																	

Notes: 1. Upon request, available with plastic close cap (CC) or open cap (OC) at one end. Ordering example SSUET204-12 CC.  
2. Lubricated with food grade grease.