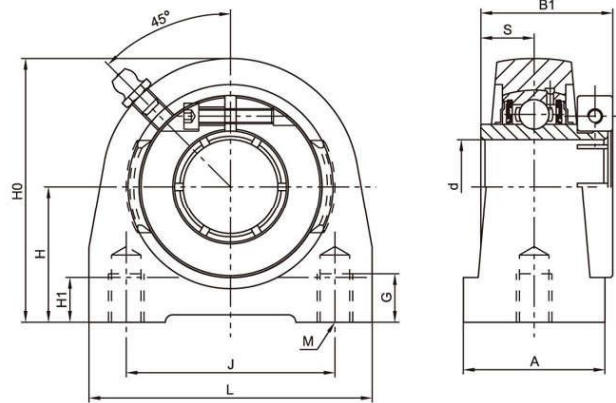


# LDK<sup>®</sup> All Stainless Steel Bearing Units

SSUEPA..A All stainless steel pillow blocks tapped base and inch-based housing,Concertric locking



Unit No.	Shaft Dia		Dimensions(mm)										Weight (kg)
	d		H	L	J	A	G	H1	H0	B1	S	M	
	(in)	(mm)											
SSUEPA204A 204-12A	3/4	20	33.3	73	50.8	38	13	12	65	33	12.7	3/8"-16	0.71
SSUEPA205A 205-14A 205-15A 205-16A	7/8 15/16 1	25	36.5	76	50.8	38	13	12	71	35.4	14.3	3/8"-16	0.8
SSUEPA206A 206-17A 206-18A 206-19A 206-20A	1-1/16 1-1/8 1-3/16 1-1/4	30	42.9	102	76.2	38	16	12	86	39.8	15.9	7/16"-14	1.33
SSUEPA207A 207-20A 207-21A 207-22A 207-23A	1-1/4 1-5/16 1-3/8 1-7/16	35	47.6	108	82.6	48	19	13	95	43.9	17.5	1/2"-13	1.74
SSUEPA208A 208-24A 208-25A	1-1/2 1-9/16	40	49.2	117	88.9	48	19	13	100	50.2	19.0	1/2"-13	2.12
SSUEPA209A 209-26A 209-27A 209-28A	1-5/8 1-11/16 1-3/4	45	54.2	127	95.3	51	19	13	108	50.2	19.0	1/2"-13	2.57
SSUEPA210A 210-30A 210-31A 210-32A	1-7/8 1-15/16 2	50	57.2	140	101.6	51	22	14	117	52.6	19.0	5/8"-11	3.15

Notes: 1.Upon request,available with plastic close cap(CC) or open cap(OC) at one end. Ordering example SSUEPA204-12A CC.  
2.Lubricated with food grade grease.