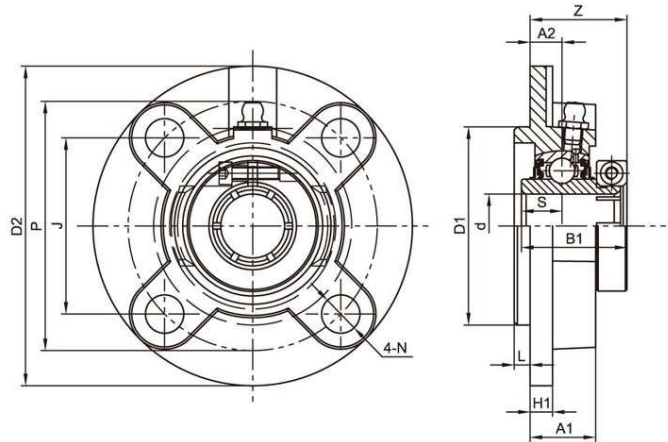


# All Stainless Steel Bearing Units **LDK**<sup>®</sup>

SSUEFC All stainless steel flange cartridge units, Concentric locking



Unit No.	Shaft Dia		Dimensions(mm)											Bolt Size (mm)	Weight (kg)	
	d		D2	P	J	A2	N	L	H1	A1	D1	B1	S			Z
	(in)	(mm)														
SSUEFC204 204-12	3/4	20	100	78	55.1	10	12	5	7	20.5	62	33	12.7	30.3	M10	0.79
SSUEFC205 205-14 205-15 205-16	7/8 15/16 1	25	115	90	63.6	10	12	6	7	21	70	35.4	14.3	31	M10	1.16
SSUEFC206 206-17 206-18 206-19 206-20	1-1/16 1-1/8 1-3/16 1-1/4	30	125	100	70.7	10	12	8	8	23	80	39.8	15.9	33.9	M10	1.47
SSUEFC207 207-20 207-21 207-22 207-23	1-1/4 1-5/16 1-3/8 1-7/16	35	135	110	77.8	11	14	8	9	26	90	43.9	17.5	37.4	M12	1.88
SSUEFC208 208-24 208-25	1-1/2 1-9/16	40	145	120	84.8	11	14	10	9	26	100	50.2	19	42.2	M12	2.2
SSUEFC209 209-26 209-27 209-28	1-5/8 1-11/16 1-3/4	45	160	132	93.3	10	16	12	10	26	105	50.2	19	41.2	M14	2.57
SSUEFC210 210-30 210-31 210-32	1-7/8 1-15/16 2	50	165	138	97.6	10	16	12	14	28	110	52.6	19	43.6	M14	3
SSUEFC211 211-32 211-34 211-35	2 2-1/8 2-3/16	55	185	150	106.1	13	19	12	13	30	125	56.6	22.2	47.4	M16	4.08
SSUEFC212 212-36 212-38 212-39	2-1/4 2-3/8 2-7/16	60	195	160	113.1	17	19	12	15	35	135	66.6	25.4	58.2	M16	4.98

Notes: 1. Upon request, available with plastic close cap(CC) or open cap(OC) at one end. Ordering example SSUEFC204-12 CC  
2. Lubricated with food grade grease.