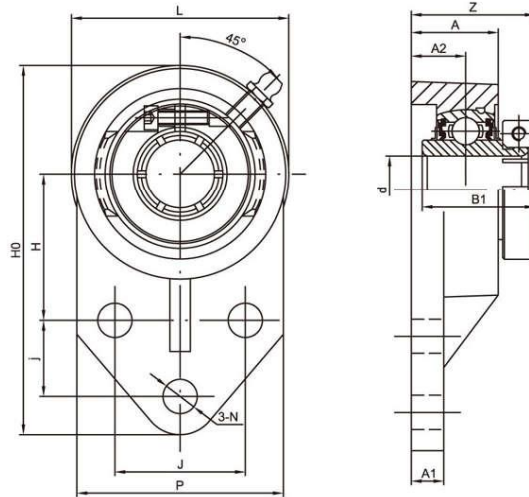


LDK[®] All Stainless Steel Bearing Units

SSUEFB..A All stainless steel flange bracket units and inch-based housing, Concentric locking



Unit No.	Shaft Dia		Dimensions(mm)													Bolt Size (mm)	Weight (kg)	
	d		H ₀	H	J	j	A ₂	A ₁	A	N	L	P	B ₁	S	Z			
	(in)	(mm)																
SSUEFB204A		20																
204-12A	3/4		108	42.9	38.1	22.2	15.9	9.5	25.4	10	63.5	60.3	33	12.7	36.2	M8	0.60	
SSUEFB205A		25																
205-14A	7/8																	
205-15A	15/16		120.7	46	41.6	28.6	16.7	11.1	29.4	10	69.1	63.5	35.4	14.3	37.7	M8	0.80	
205-16A	1																	
SSUEFB206A		30																
206-17A	1-1/16																	
206-18A	1-1/8		136.5	52.4	47.6	31.8	18.7	11.1	33.3	10	82.6	70	39.8	15.9	42.5	M8	1.13	
206-19A	1-3/16																	
206-20A	1-1/4																	
SSUEFB207A		35																
207-20A	1-1/4																	
207-21A	1-5/16		155.6	60.3	50.8	31.8	21	14.3	37.3	13	94.5	82.6	43.9	17.5	47.4	M10	1.70	
207-22A	1-3/8																	
207-23A	1-7/16																	

Notes: 1. Upon request, available with plastic close cap(CC) or open cap(OC) at one end. Ordering example SSUEFB204-12A CC.
2. Lubricated with food grade grease.