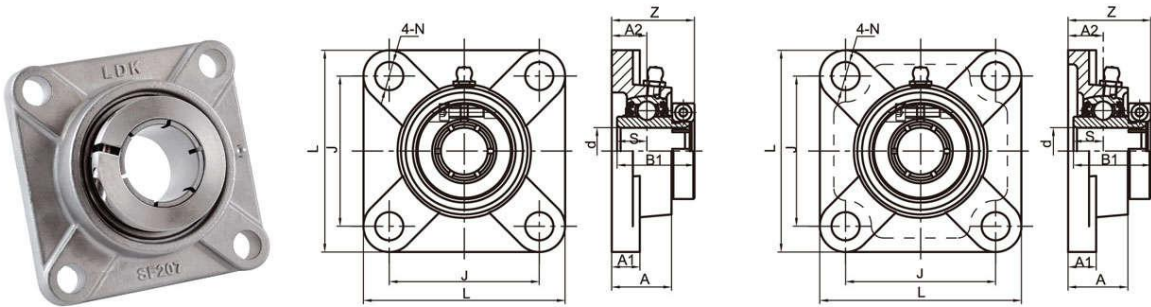


# LDK<sup>®</sup> All Stainless Steel Bearing Units

SSUEF..EHB/ESB All stainless steel 4-bolt flange, Hollow/Solid base housing, Concentric locking



SSUEF200ESB(Solid Base)

SSUEF200EHB(Hollow Base)

Unit No.		Shaft Dia		Dimensions(mm)									Bolt Size (mm)	Weight (kg)
Hollow Base Housing	Solid Base Housing	d		L	J	A <sub>2</sub>	A <sub>1</sub>	A	N	Z	B <sub>1</sub>	S		
		(in)	(mm)											
SSUEF204EHB 204-12EHB	SSUEF204ESB 204-12ESB	3/4	20	86	64	15	12	25.5	12	35.3	33	12.7	M10	0.72
SSUEF205EHB 205-14EHB 205-15EHB 205-16EHB	SSUEF205ESB 205-14ESB 205-15ESB 205-16ESB	7/8 15/16 1	25	95	70	16	14.3	27	12	37.1	35.4	14.3	M10	0.99
SSUEF206EHB 206-17EHB 206-18EHB 206-19EHB 206-20EHB	SSUEF206ESB 206-17ESB 206-18ESB 206-19ESB 206-20ESB	1-1/16 1-1/8 1-3/16 1-1/4	30	108	83	18	14	31	12	41.9	39.8	15.9	M14	1.33
SSUEF207EHB 207-20EHB 207-21EHB 207-22EHB 207-23EHB	SSUEF207ESB 207-20ESB 207-21ESB 207-22ESB 207-23ESB	1-1/4 1-5/16 1-3/8 1-7/16	35	117	92	19	15.9	34	14	43.4	43.9	17.5	M14	1.81
SSUEF208EHB 208-24EHB 208-25EHB	SSUEF208ESB 208-24ESB 208-25ESB	1-1/2 1-9/16	40	130	102	21	15.9	36	16	52.2	50.2	19	M14	2.2
SSUEF209EHB 209-26EHB 209-27EHB 209-28EHB	SSUEF209ESB 209-26ESB 209-27ESB 209-28ESB	1-5/8 1-11/16 1-3/4	45	137	105	22	16.7	38	16	53.2	50.2	19	M14	2.72
SSUEF210EHB 210-30EHB 210-31EHB 210-32EHB	SSUEF210ESB 210-30ESB 210-31ESB 210-32ESB	1-7/8 1-15/16 2	50	143	111	22	15.9	40	16	55.6	52.6	19	M16	2.96
SSUEF211EHB 211-32EHB 211-34EHB 211-35EHB	SSUEF211ESB 211-32ESB 211-34ESB 211-35ESB	2 2-1/8 2-3/16	55	162	130	25	18	43	19	59.4	56.6	22.2	M16	4.21
SSUEF212EHB 212-36EHB 212-38EHB 212-39EHB	SSUEF212ESB 212-36ESB 212-38ESB 212-39ESB	2-1/4 2-3/8 2-7/16	60	175	143	29	18	48	19	70.2	66.6	25.4	M16	5.23

Notes: 1. Upon request, available with plastic close cap(CC) or open cap(OC) at one end. Ordering example SSUEF204-12ESB CC.  
2. Lubricated with food grade grease.